

ITEM # 18-4 - (WW4)

Vermont Agency of Transportation

**RECEIVED**

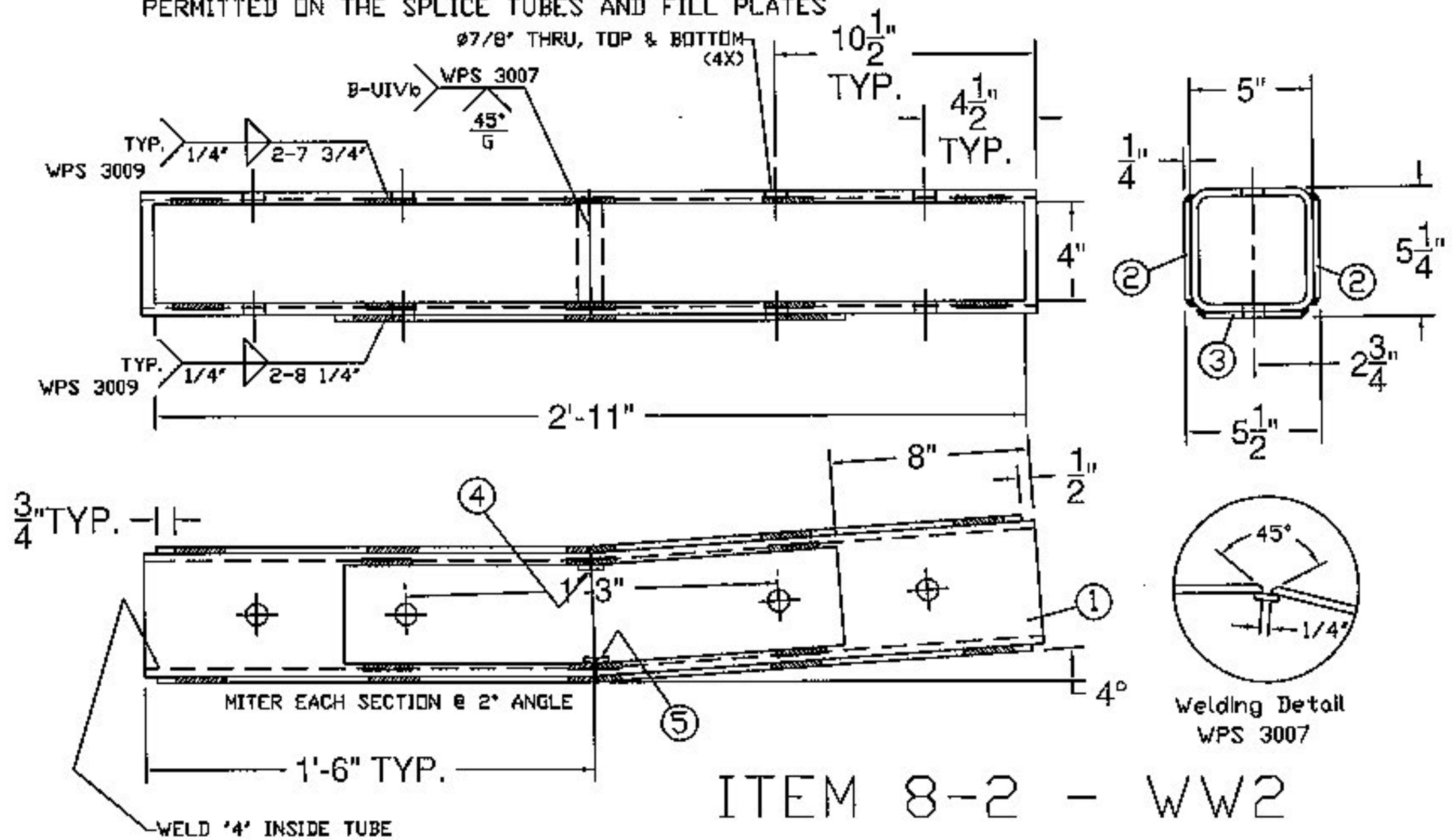
CK'D BY FDB OK'D BY CB

July 9, 2015

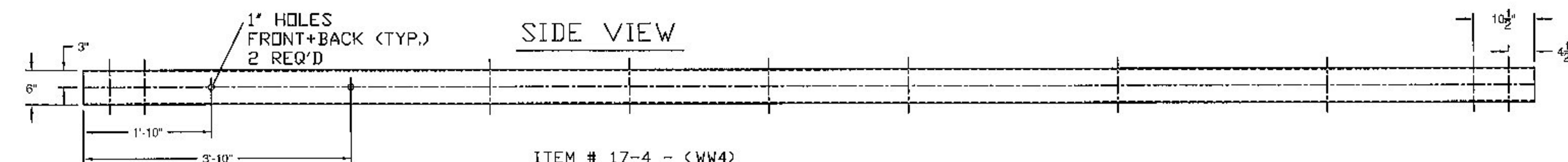
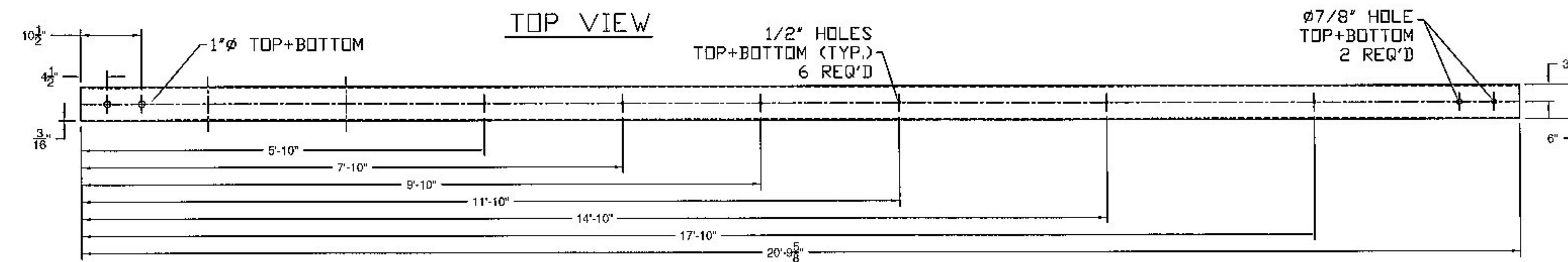
RESUBMIT No Approved  
BY Carolyn Carlson DATE 07/13/15

BILL OF MATERIALS			
ITEM #	PART #	QTY	DESCRIPTION
1		1	5x5x5/16" TUBE
2		2	RAW FLAT 1/4x4" A709-36 CV
3		1	1/4" PLATE
4		3	IN-PR BACKER, 3/16"x1"x4"
5		1	IN-PR FORMED BACKER PLATE

PROTRUSIONS CAUSED BY WELDING OR GALVANIZING ARE NOT PERMITTED ON THE SPLICE TUBES AND FILL PLATES



ITEM 8-2 - WW2



ITEM # 17-4 - (WW4)

ITEM #: 621.725

SHEET 6 OF 7

STRUCTURAL STEEL TO COMPLY W/ ASTM A6

**GUARD RAIL TO BRIDGE RAIL TRANSITION DETAILS SHEET**

ROUTE VT 15 (MINOR ARTERIAL), BRIDGE # 83  
TOWN OF WALDEN, COUNTY OF CALEDONIA, VT.

TOLERANCE UNLESS OTHERWISE NOTED:  
FRACTIONS = ± 1/16"  
ANGLES = ± 1/2"  
DIAMETERS = ± 1/32"

R NO.	DATE	DESCRIPTION	BY	R NO.	DATE	DESCRIPTION	BY

DRAWN	E.P.	2/20/15
CHECKED	D.L.	
APPROVED		
SCALE	SCHEMATIC	
DRAWING NO. F.R. LaFAYETTE-WALDEN		

**ELDERLEE, INC.**  
OAKS CORNERS, NEW YORK 14518  
E-Mail: [dlong@elderlee.com](mailto:dlong@elderlee.com) / [epesk@elderlee.com](mailto:epesk@elderlee.com)  
Tel: 315-789-6670 Fax: 315-789-6615

