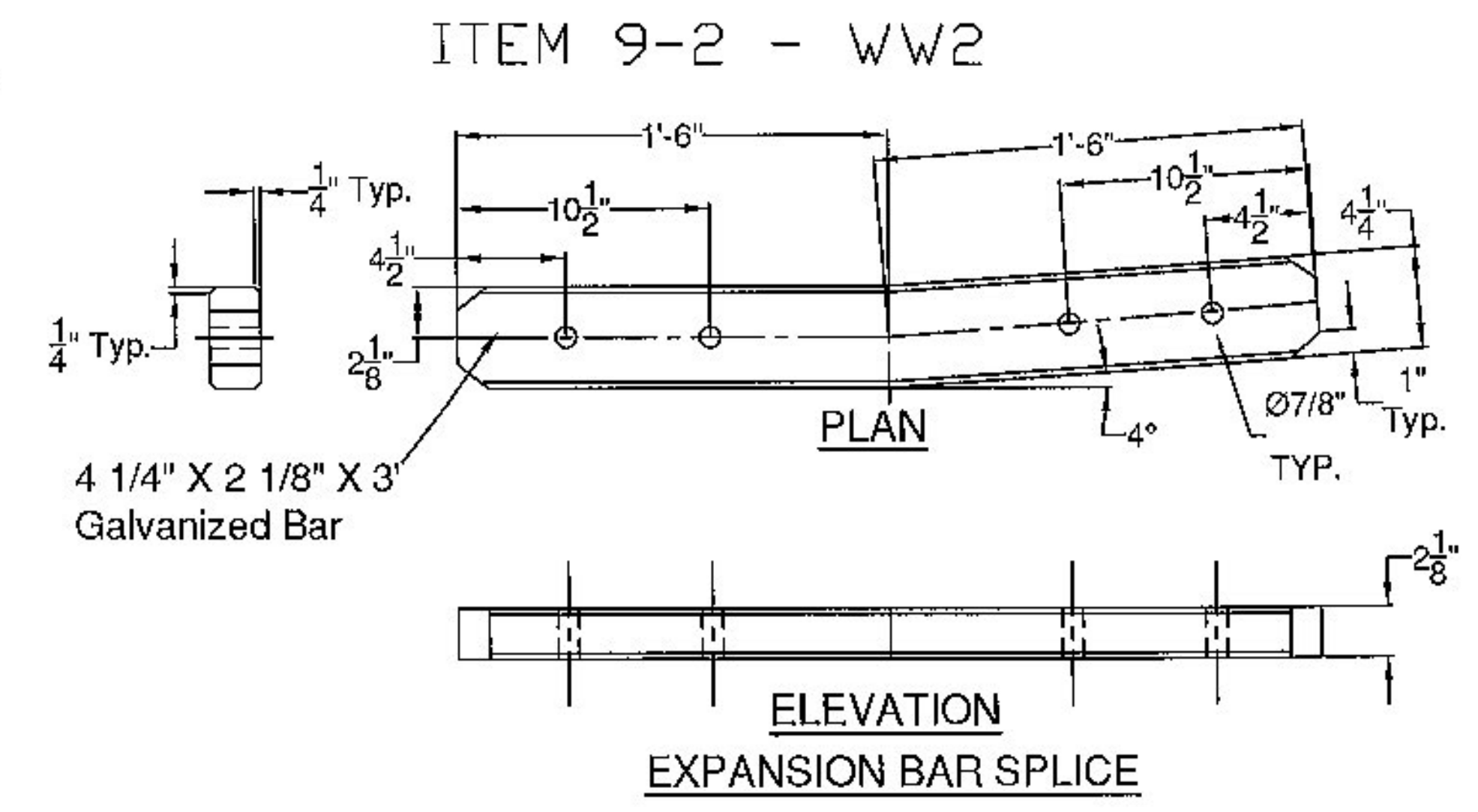


Vermont Agency of Transportation
RECEIVED
CK'D BY FDB OK'D BY CB
July 9, 2015
RESUBMIT No Approved
BY Carolyn Carlson DATE 07/13/15



ITEM #: 621.725 SHEET 5 OF 7

STRUCTURAL STEEL TO COMPLY W/ ASTM A6

GUARD RAIL TO BRIDGE RAIL TRANSITION DETAILS SHEET
ROUTE VT 15 (MINOR ARTERIAL), BRIDGE # 83
TOWN OF WALDEN, COUNTY OF CALEDONIA, VT.

TOLERANCE UNLESS OTHERWISE NOTED:
FRACTIONS = ± 1/16"
ANGLES = ± 1/2"
DIAMETERS = ± 1/32"

R NO.	DATE	DESCRIPTION	BY	R NO.	DATE	DESCRIPTION	BY

ELDERLEE, INC.
OAKS CORNERS, NEW YORK 14518
E-Mail: dlong@elderlee.com / epeek@elderlee.com
Tel: 315-789-6670 Fax: 315-789-6615

DRAWN E.P. 2/20/15
CHECKED D.L.
APPROVED
SCALE SCHEMATIC
DRAWING NO. F.R. LAFAYETTE-WALDEN