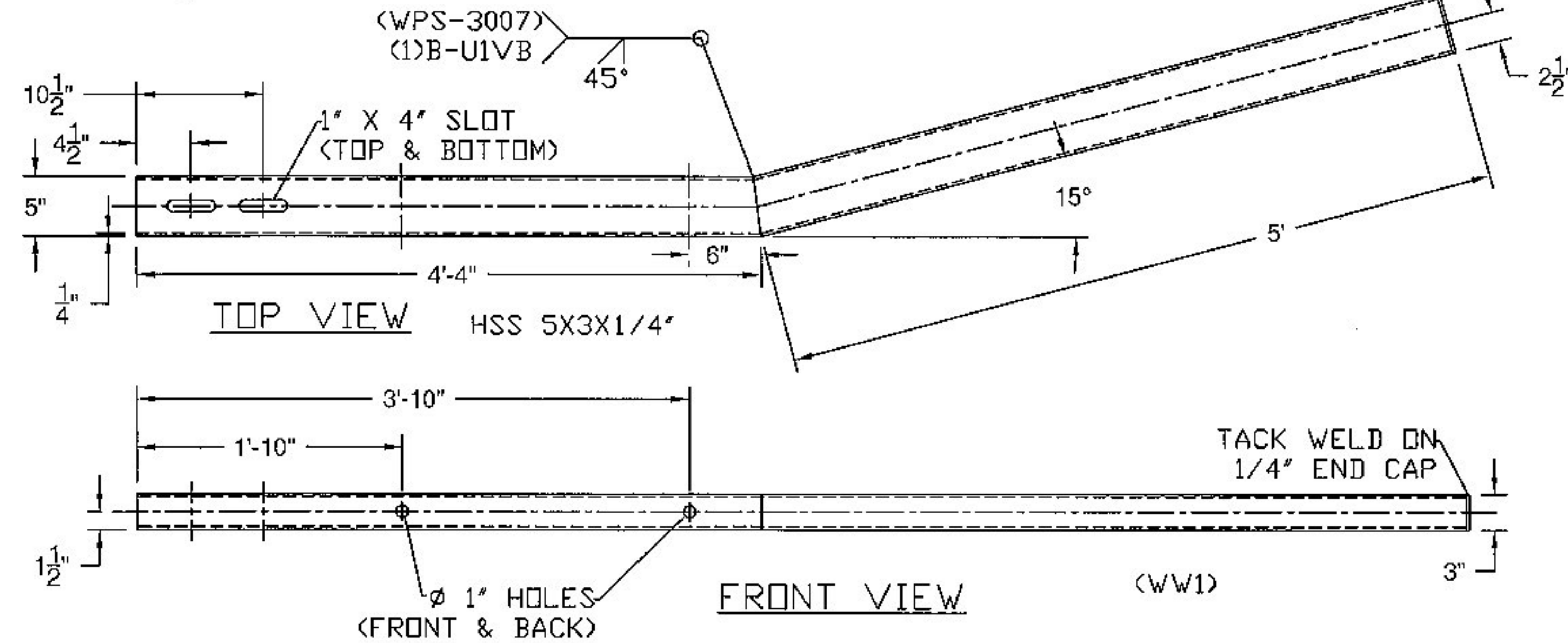


ITEM #6, WW#1



Vermont Agency of Transportation
RECEIVED

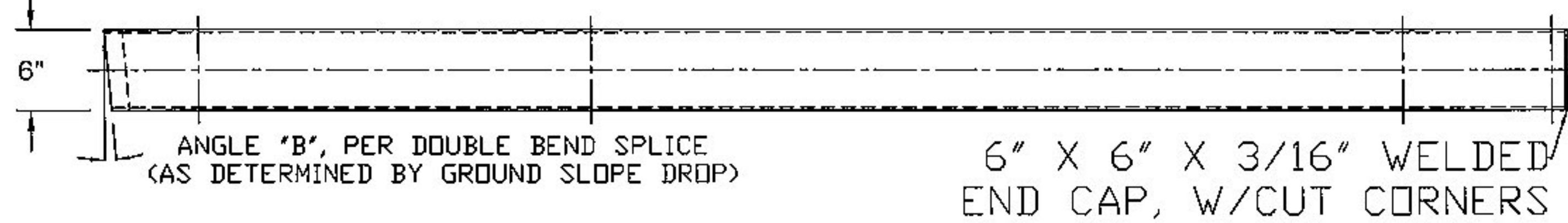
CK'D BY FDB OK'D BY CB

July 9, 2015

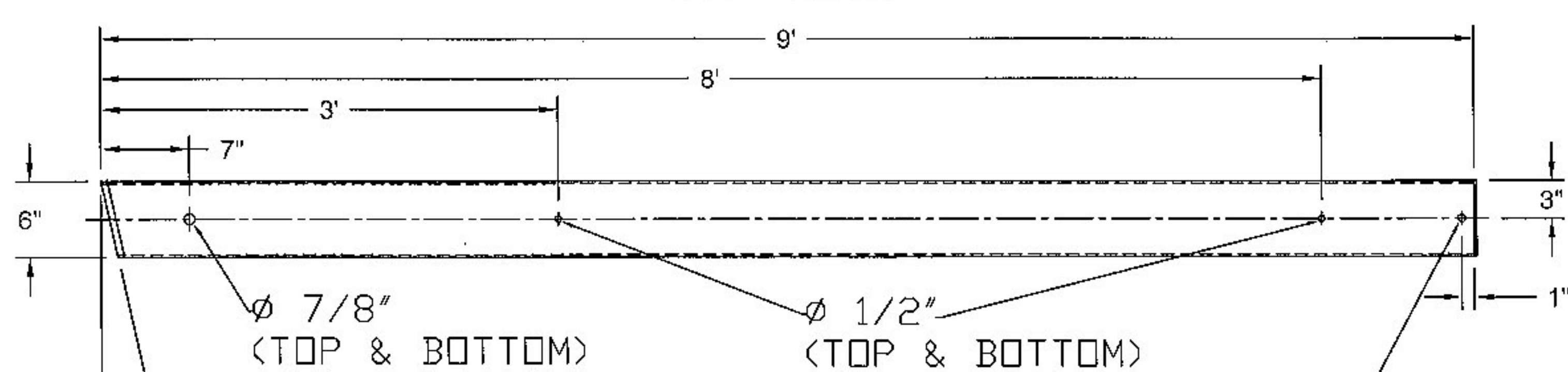
RESUBMIT No Approved

BY Carolyn Carlson DATE 07/13/15

BACK VIEW

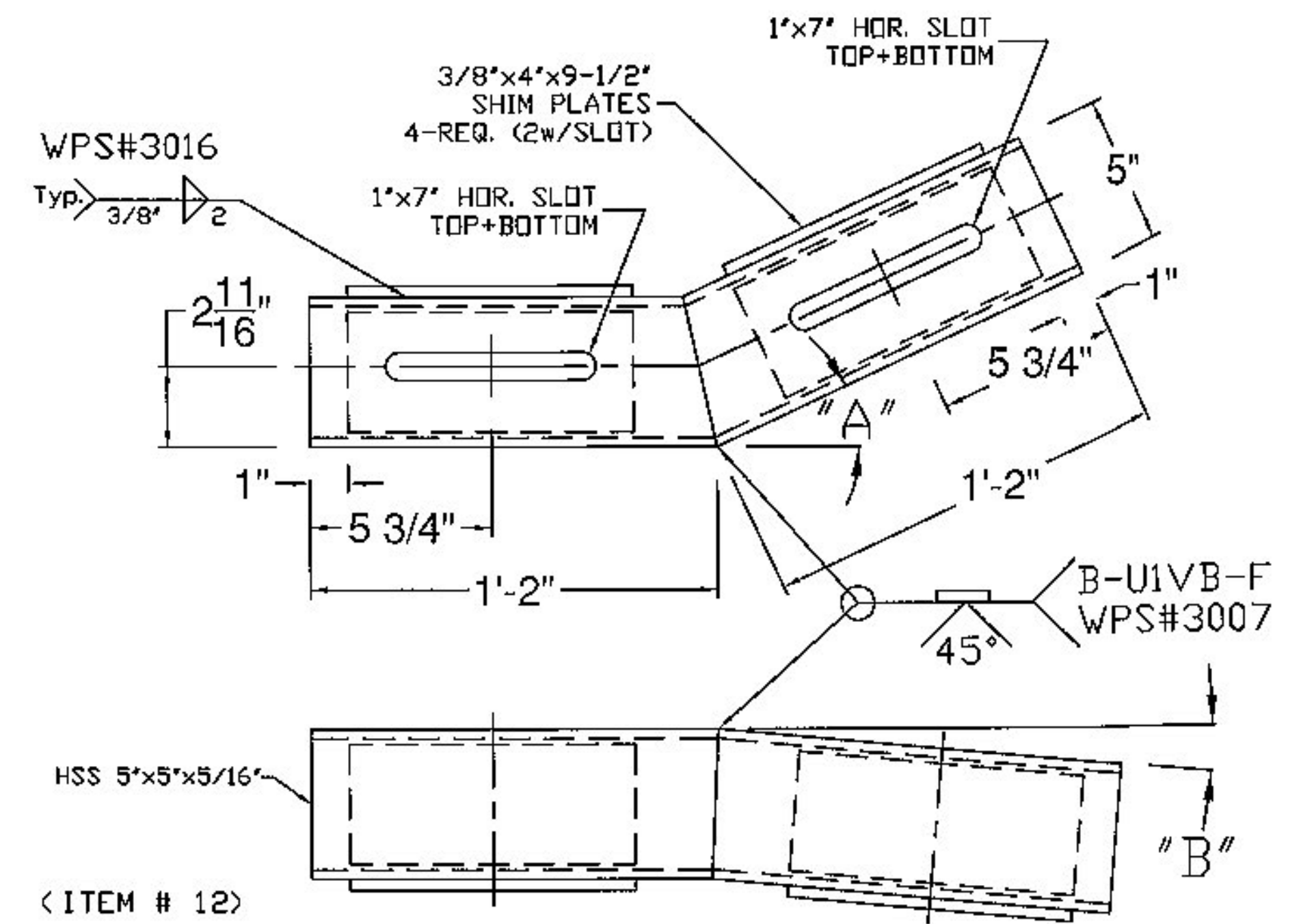
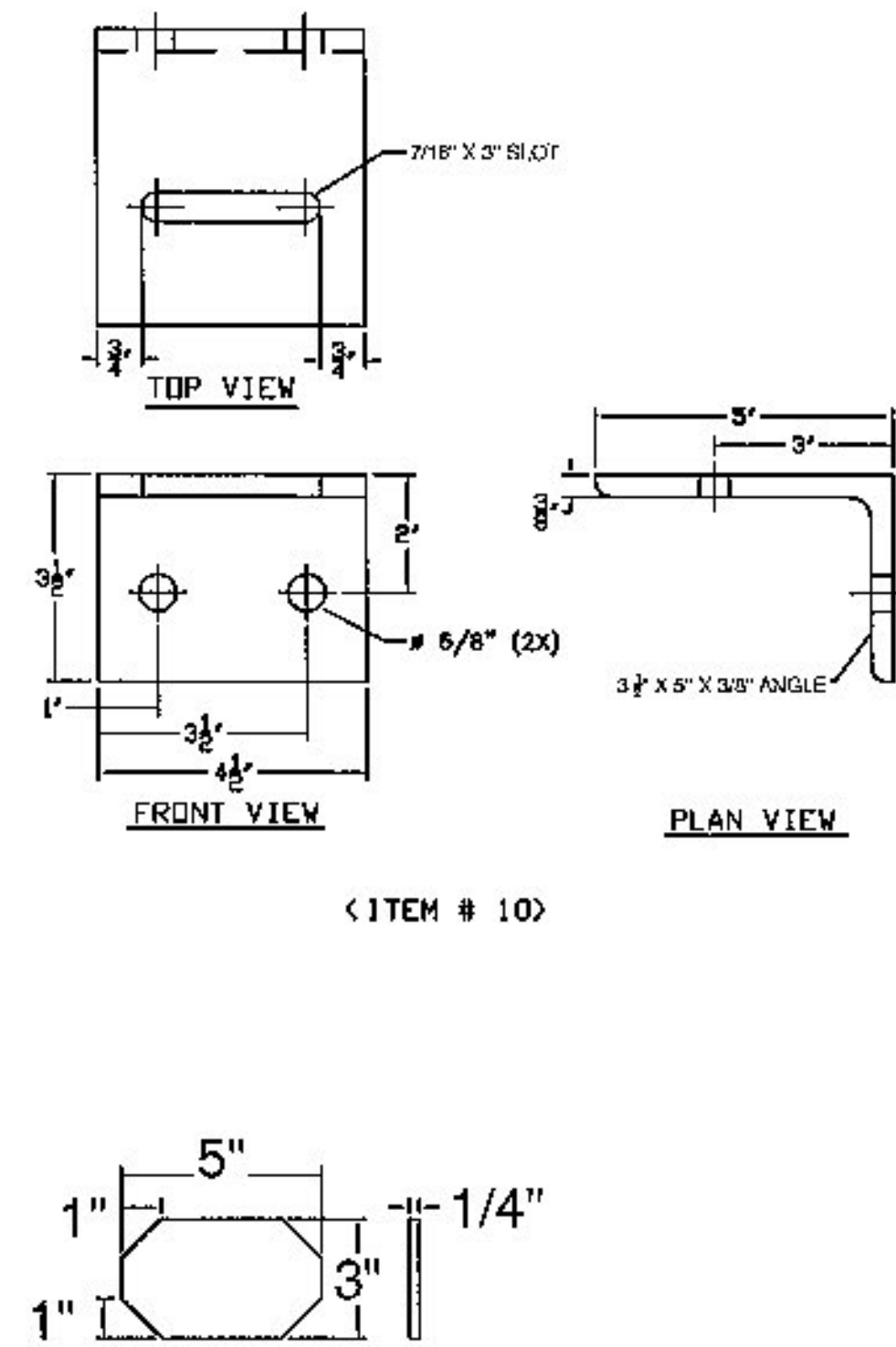


TOP VIEW

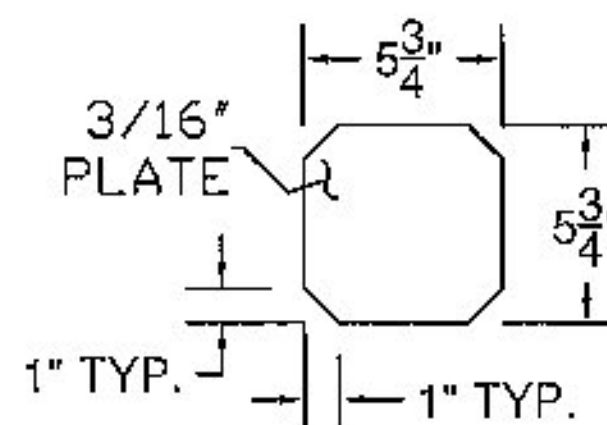
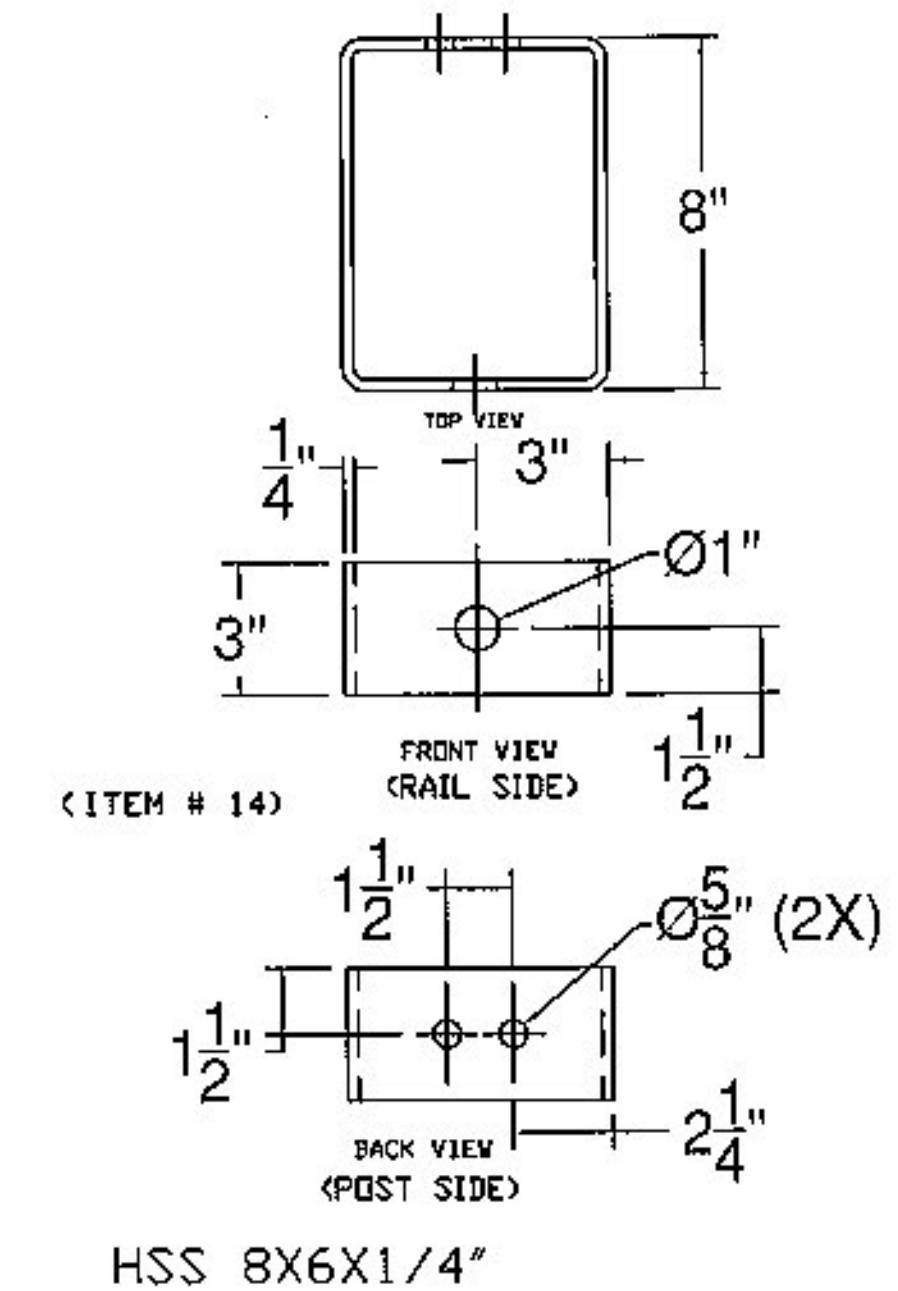
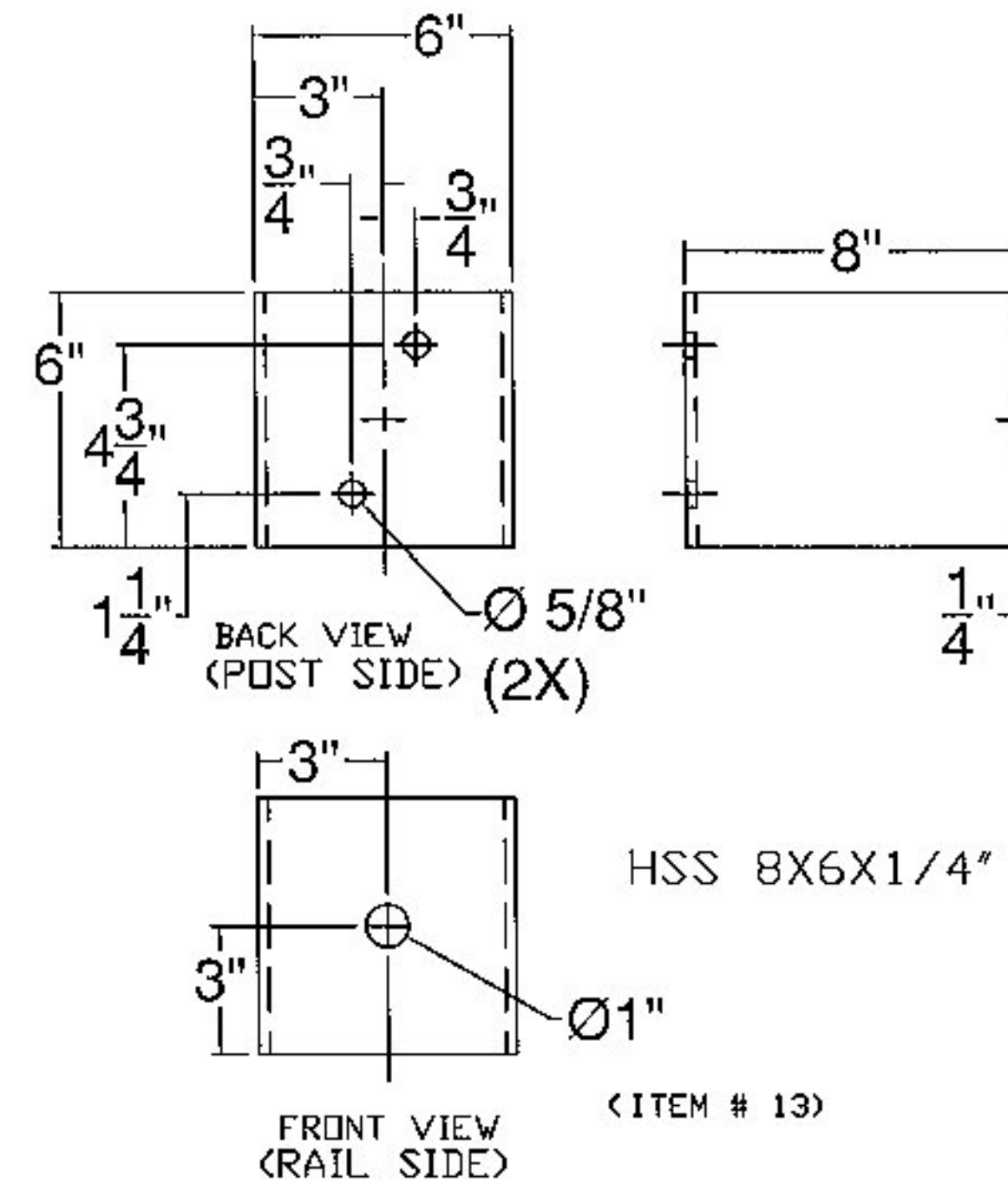


MITER @ 13°, WW 1 & 4 (ITEM # 15)
MITER @ 20°, WW 2 & 3 (ITEM # 15-2)

Ø 5/8" HANGING HOLE FOR GALV (TOP & BOTTOM)



A - 26° WW 1 & 4
A - 42° WW 2 & 3
B - TURN DOWN ANGLE SET BY THE 9" MEASUREMENT AT THE END OF THE BOX BEAM.



ITEM #: 621.725

STRUCTURAL STEEL TO COMPLY W/ ASTM A6

TOLERANCE UNLESS OTHERWISE NOTED:
FRACTIONS = ± 1/16"
ANGLES = ± 1/2"
DIAMETERS = ± 1/32"

GUARD RAIL TO BRIDGE RAIL TRANSITION DETAILS SHEET

ROUTE VT 15 (MINOR ARTERIAL), BRIDGE # 83
TOWN OF WALDEN, COUNTY OF CALEDONIA, VT.

| R NO. | DATE | DESCRIPTION | BY | R NO. | DATE | DESCRIPTION | BY |
|-------|------|-------------|----|-------|------|-------------|----|
| E | | | | E | | | |
| V | | | | V | | | |

| | | |
|-----------------------------------|-----------|---------|
| DRAWN | E.P. | 2/20/15 |
| CHECKED | D.L. | |
| APPROVED | | |
| SCALE | SCHEMATIC | |
| DRAWING NO. F.R. LaFAYETTE-WALDEN | | |

ELDERLEE, INC.
OAKS CORNERS, NEW YORK 14578
E-Mail: dlong@elderlee.com / epeek@elderlee.com
Tel: 315-789-6670 Fax: 315-789-6615

SHEET 3 OF 7