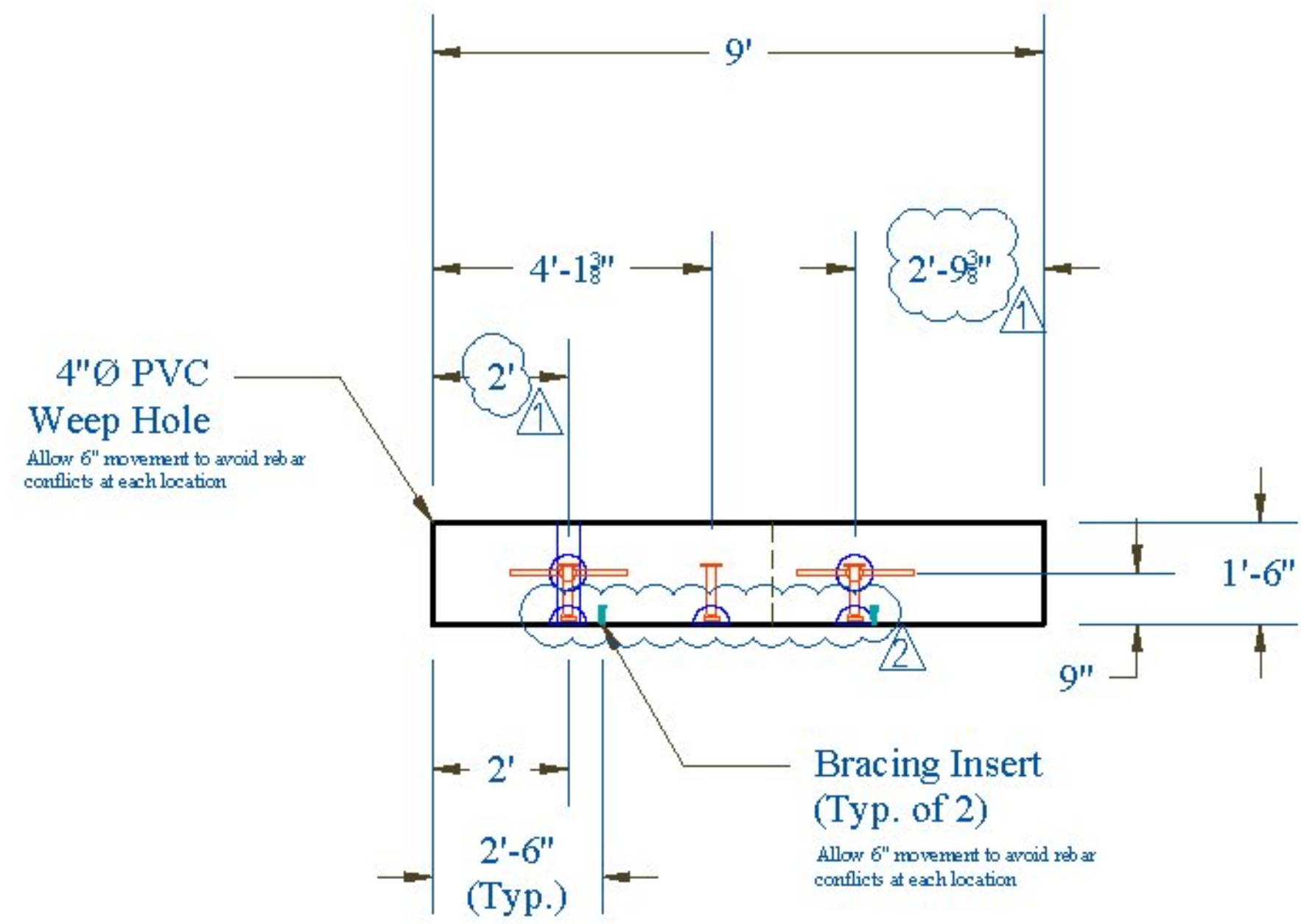
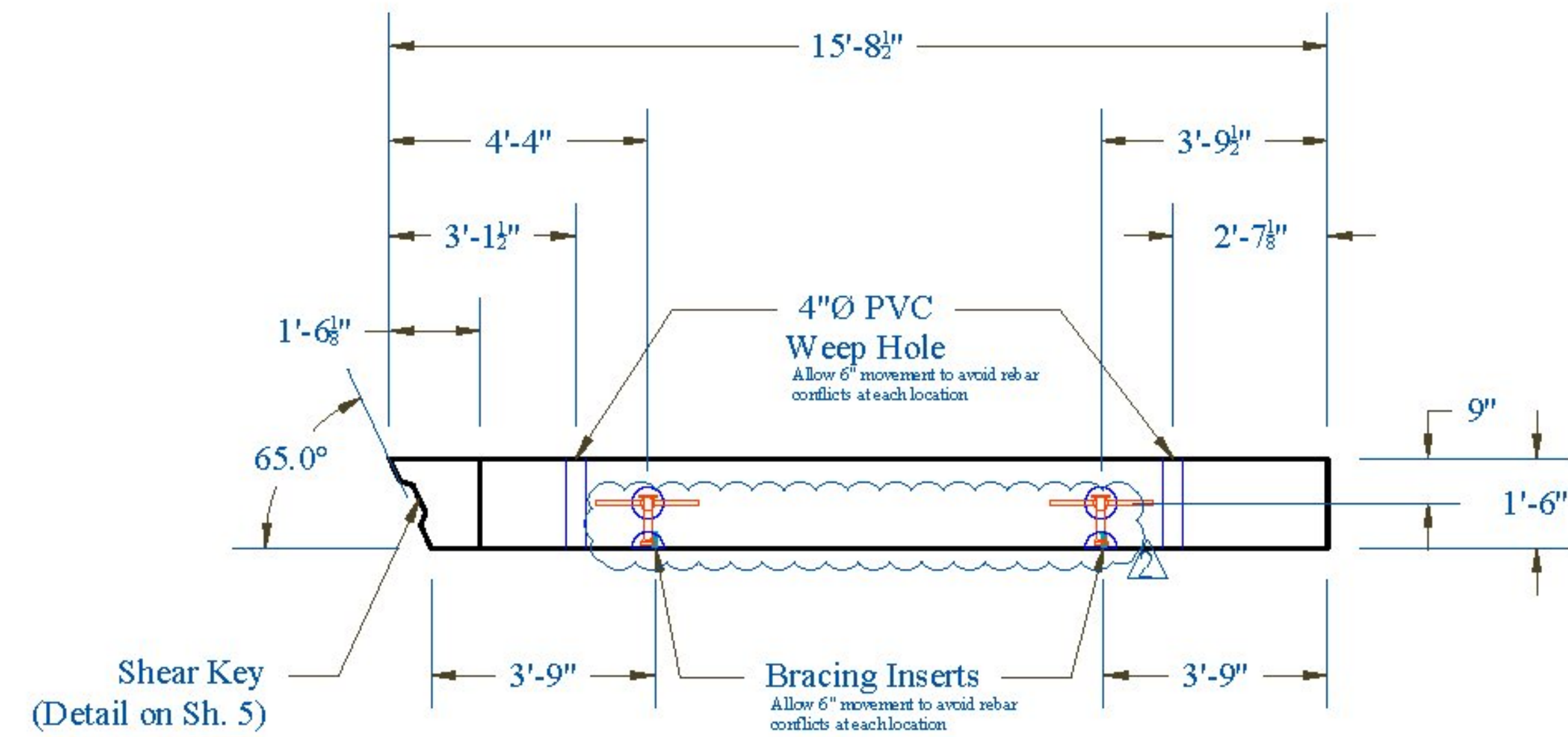


Wing Wall: WW2 - Plan View



Wing Wall: WW3 - Plan View



Vermont Agency of Transportation

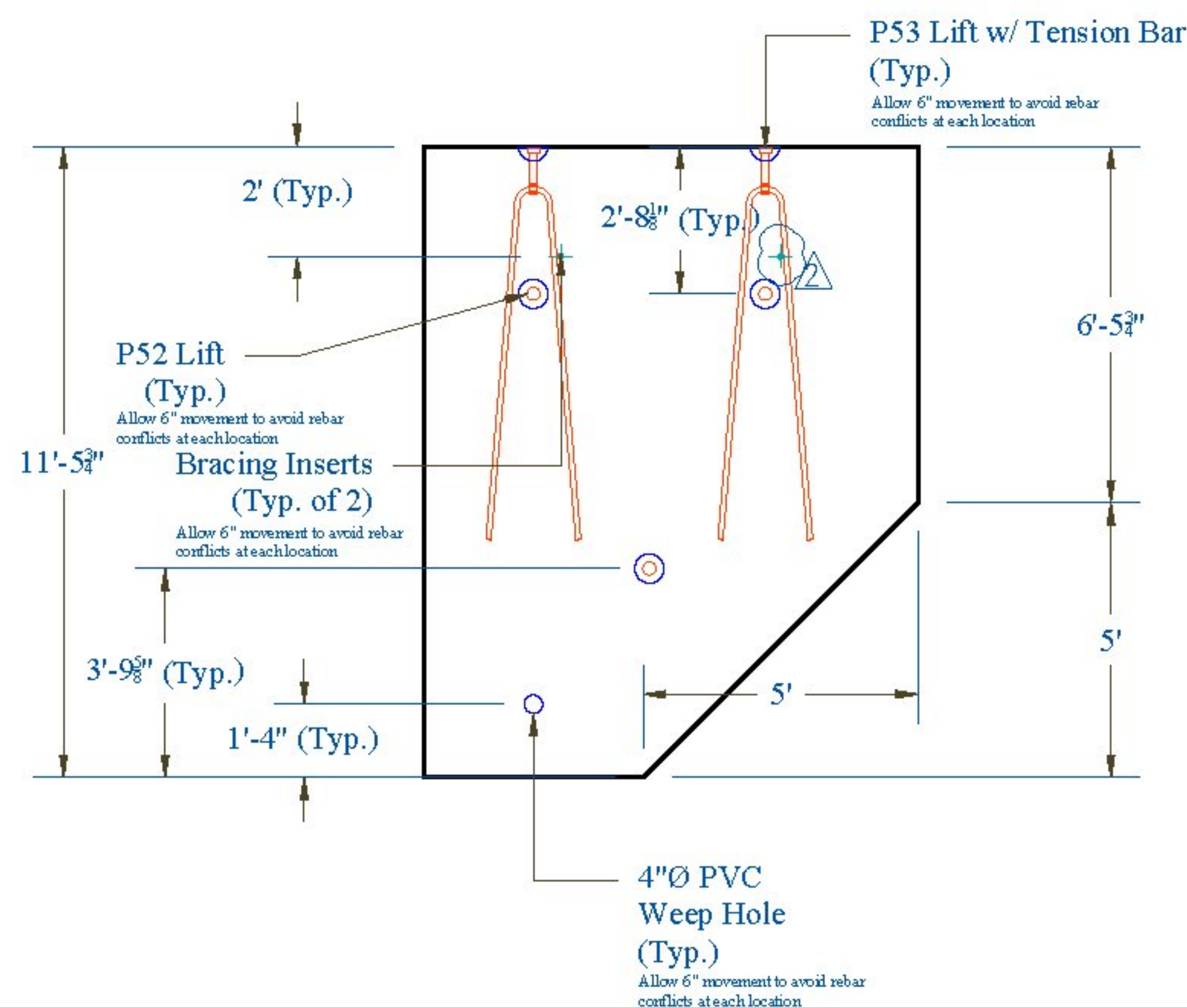
**RECEIVED**

#15801 - Abutment 6 - Rev 2 - 050515.pdf

CK'D BY HIS \_\_\_\_\_ OK'D BY C. Carlson

May 5, 2015

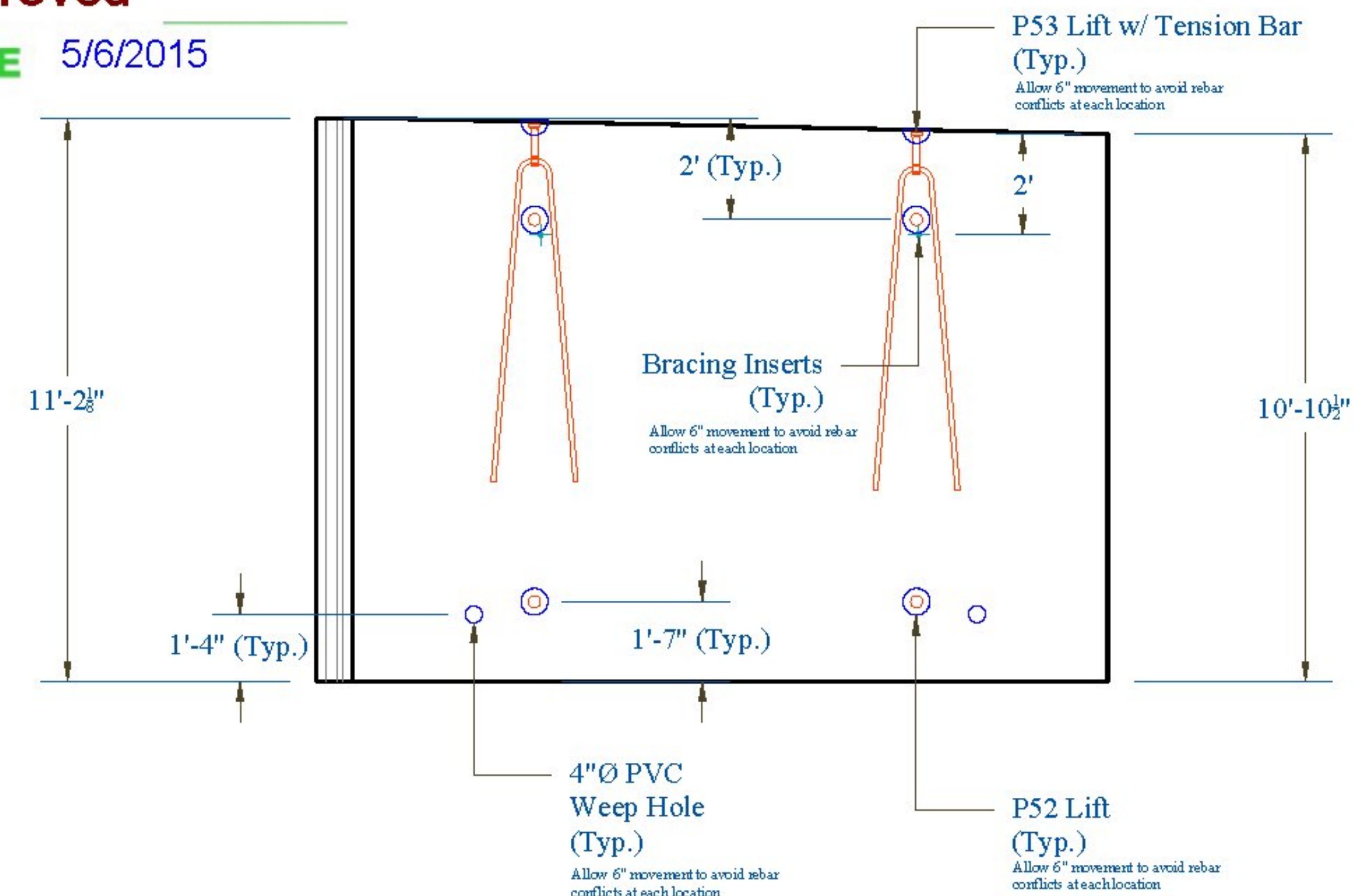
Wing Wall: WW2 - Elevation View



RESUBMIT NO  
BY Carolyn Carlson

Approved  
DATE 5/6/2015

Wing Wall: WW3 - Elevation View



CONTRACTORS VISPE:

| Rev. | Date     | By  | Description              |
|------|----------|-----|--------------------------|
| 1    | 04/16/15 | IBA | Changes per State Review |
| 2    | 05/05/15 | IBA | Production Changes       |

PRECAST CONCRETE ABUTMENT SHOP DRAWINGS (SDI JOB #15801)

SUPERVISOR: E. Barendse  
 DETAILER: I. ADAMS  
 CHECKER: E. Barendse  
 ENGINEER: VTAOT

PROJECT NAME:  
 Walden BR# 030-3(5)  
 PROJECT #: 030-3(5)  
 LOCATION: Walden, VT

INSTALLER:  
 J.A. McDonald, Inc.  
 PO Box 132  
 Lyndon Center, VT 05850

04/08/15

FABRICATOR:  
 193 INDUSTRIAL AVE.  
 WILLISTON, VT 05495  
 Ph: (802) 658-0201



WINGWALLS\_2\_&\_3

9\_OF\_25