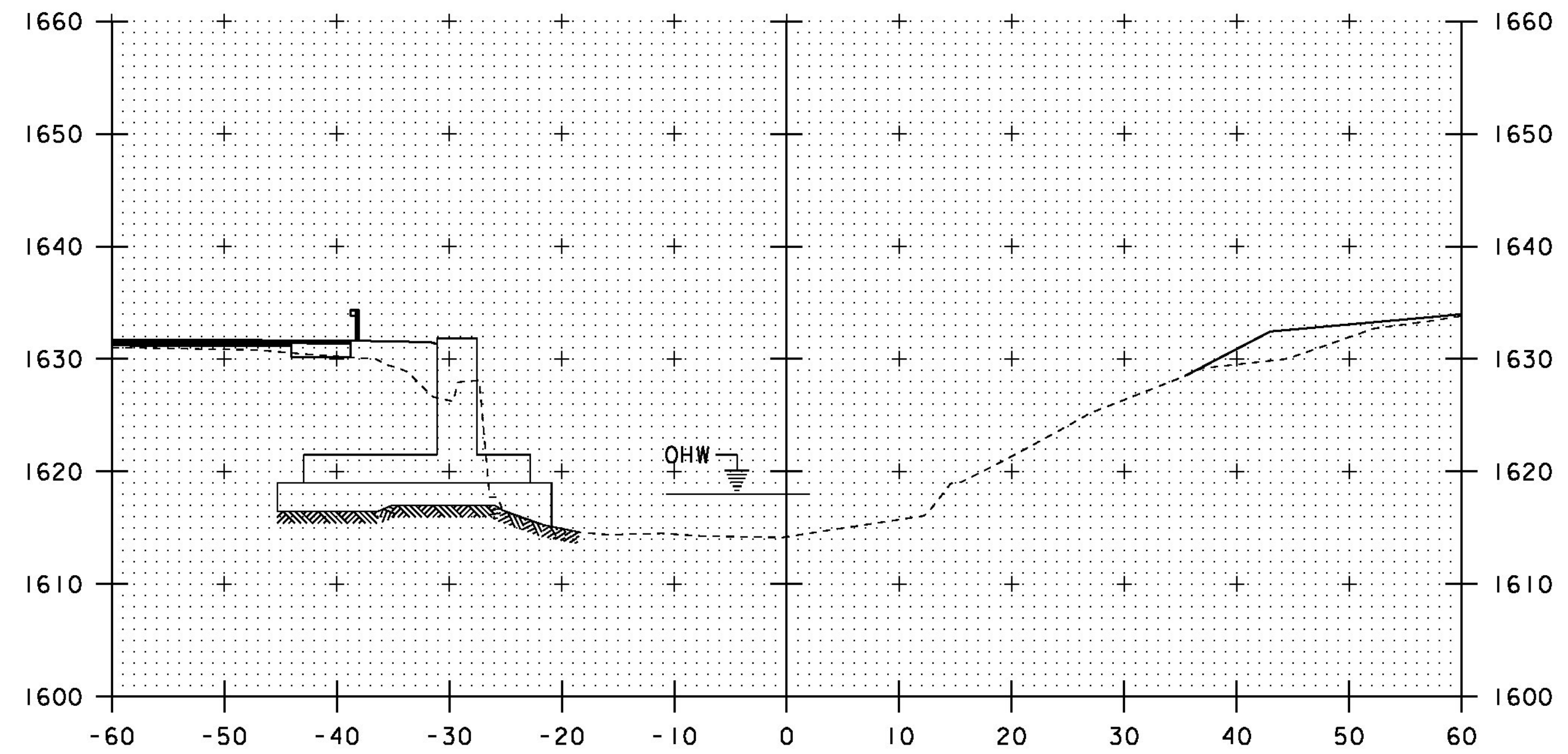
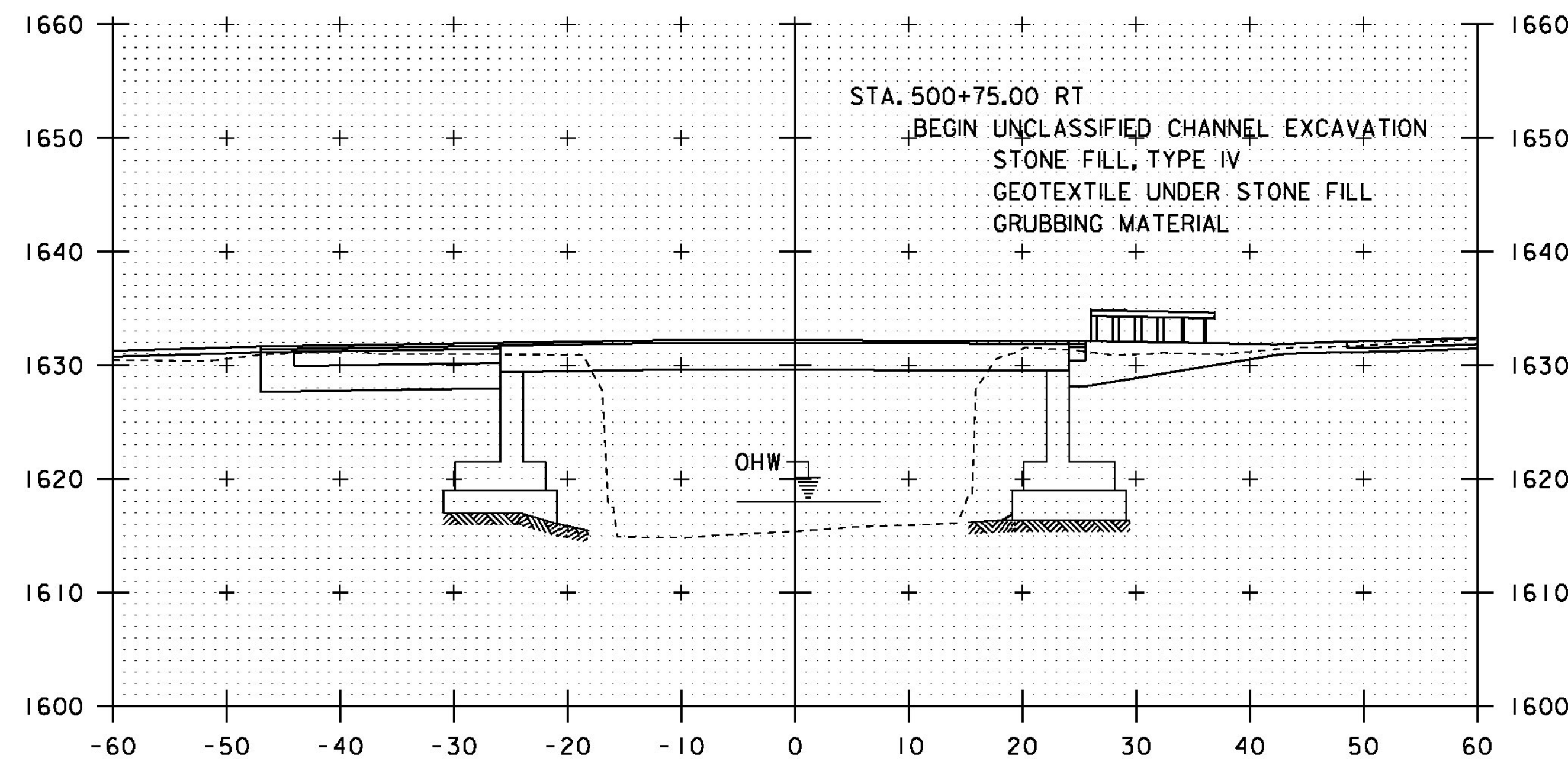


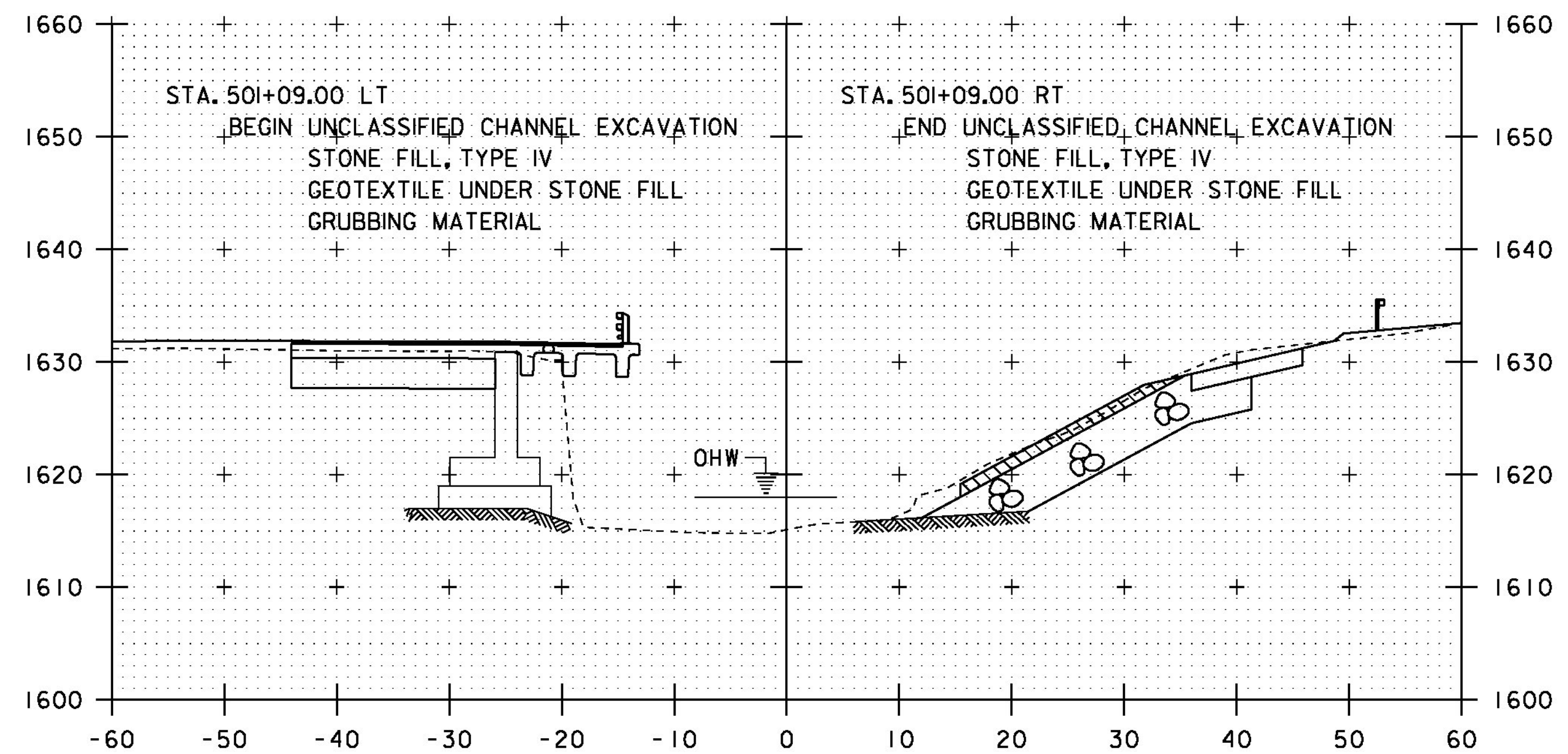
500+90



501+10



500+80

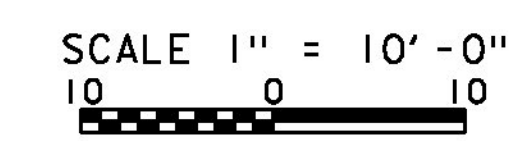


501+00

STA. 500+75.00 RT
 BEGIN UNCLASSIFIED CHANNEL EXCAVATION
 STONE FILL, TYPE IV
 GEOTEXTILE UNDER STONE FILL
 GRUBBING MATERIAL

STA. 501+09.00 LT
 BEGIN UNCLASSIFIED CHANNEL EXCAVATION
 STONE FILL, TYPE IV
 GEOTEXTILE UNDER STONE FILL
 GRUBBING MATERIAL

STA. 501+09.00 RT
 END UNCLASSIFIED CHANNEL EXCAVATION
 STONE FILL, TYPE IV
 GEOTEXTILE UNDER STONE FILL
 GRUBBING MATERIAL



STA. 500+80 TO STA. 501+10

PROJECT NAME: WALDEN	PLOT DATE: 30-DEC-2014
PROJECT NUMBER: BRF 030-3(5)	DRAWN BY: R. PELLETT
FILE NAME: s09b308_xsl.dgn	CHECKED BY: H. SALLS
PROJECT LEADER: C. CARLSON	SHEET 47 OF 56
DESIGNED BY: H. SALLS	
CHANNEL CROSS SECTIONS 3	