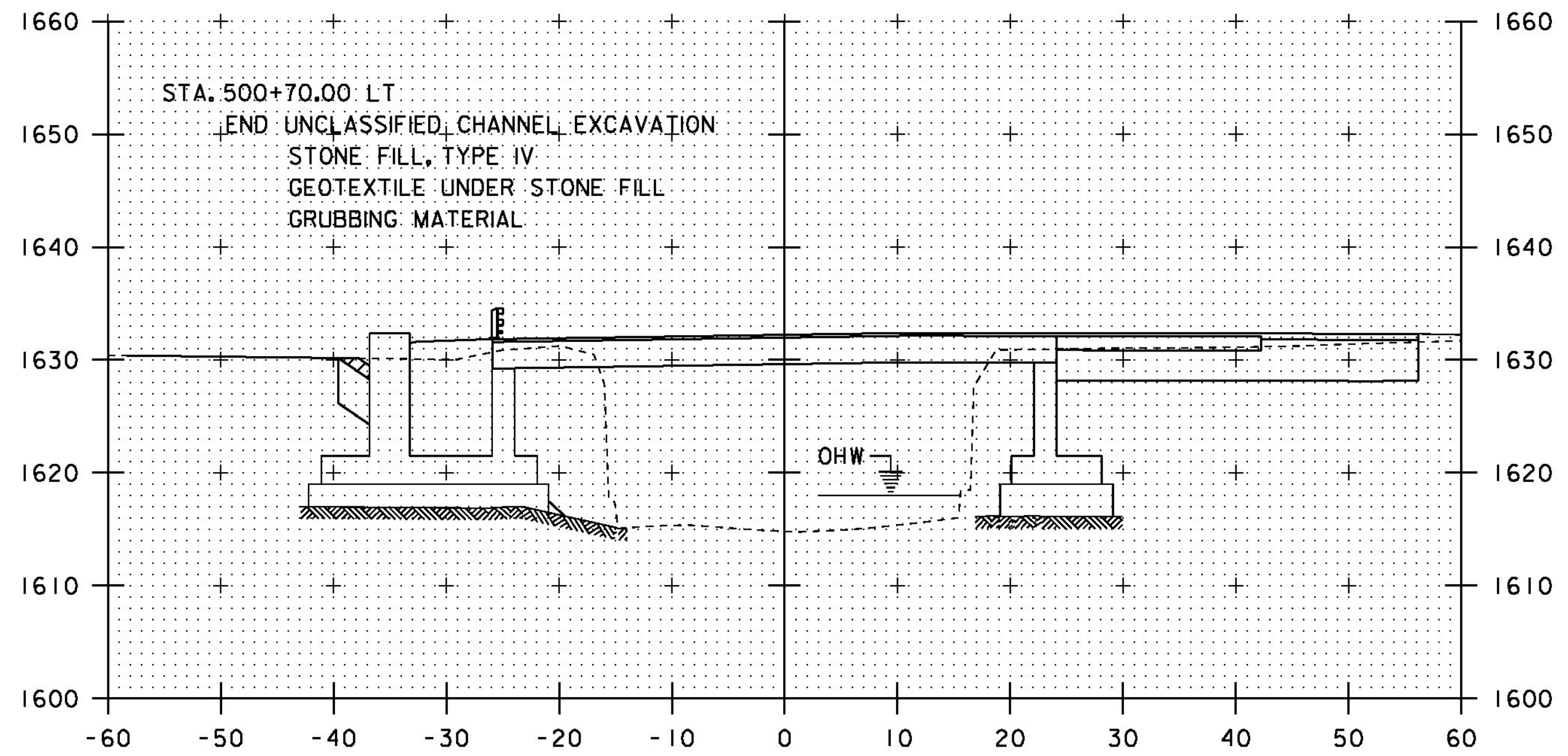
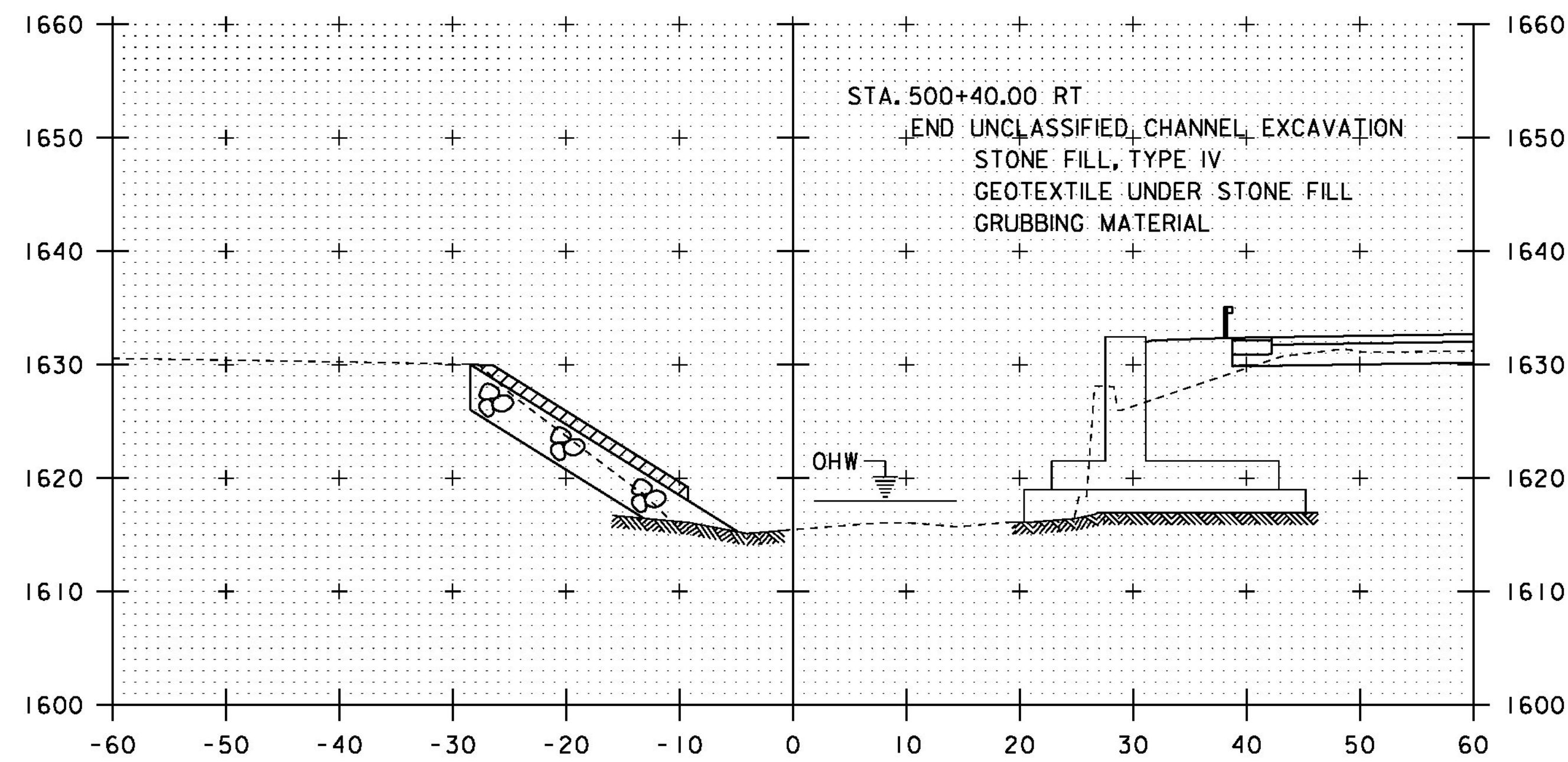


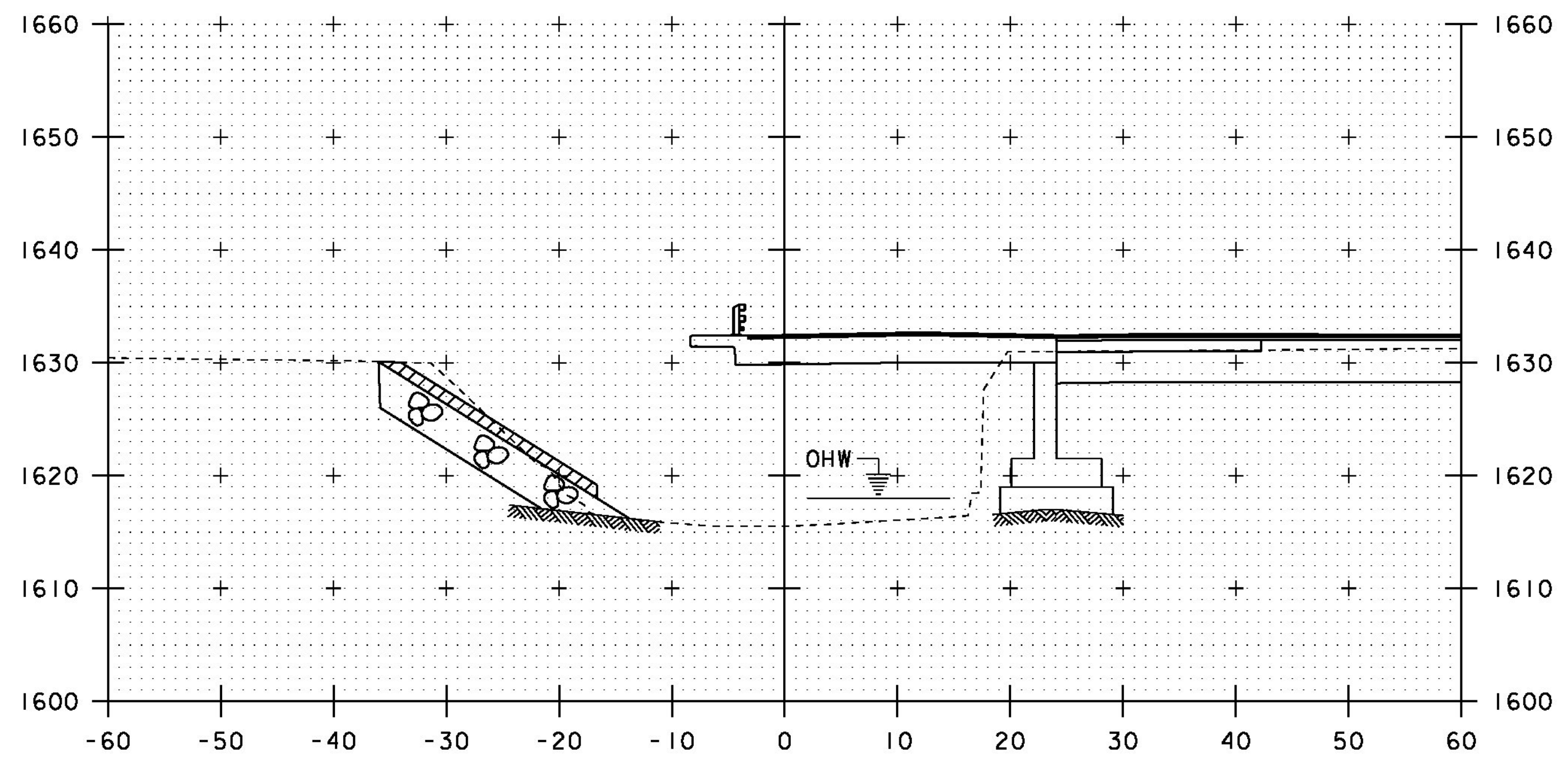
500+50



500+70



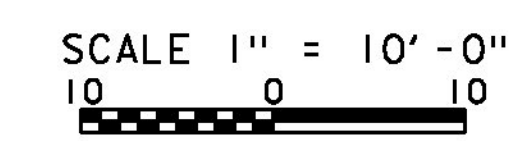
500+40



500+60

STA. 500+70.00 LT  
 END UNCLASSIFIED CHANNEL EXCAVATION  
 STONE FILL, TYPE IV  
 GEOTEXTILE UNDER STONE FILL  
 GRUBBING MATERIAL

STA. 500+40.00 RT  
 END UNCLASSIFIED CHANNEL EXCAVATION  
 STONE FILL, TYPE IV  
 GEOTEXTILE UNDER STONE FILL  
 GRUBBING MATERIAL



STA. 500+40 TO STA. 500+70

PROJECT NAME: WALDEN	PLOT DATE: 30-DEC-2014
PROJECT NUMBER: BRF 030-3(5)	DRAWN BY: R. PELLETT
FILE NAME: s09b308_xsl.dgn	CHECKED BY: H. SALLS
PROJECT LEADER: C. CARLSON	SHEET 46 OF 56
DESIGNED BY: H. SALLS	
CHANNEL CROSS SECTIONS 2	