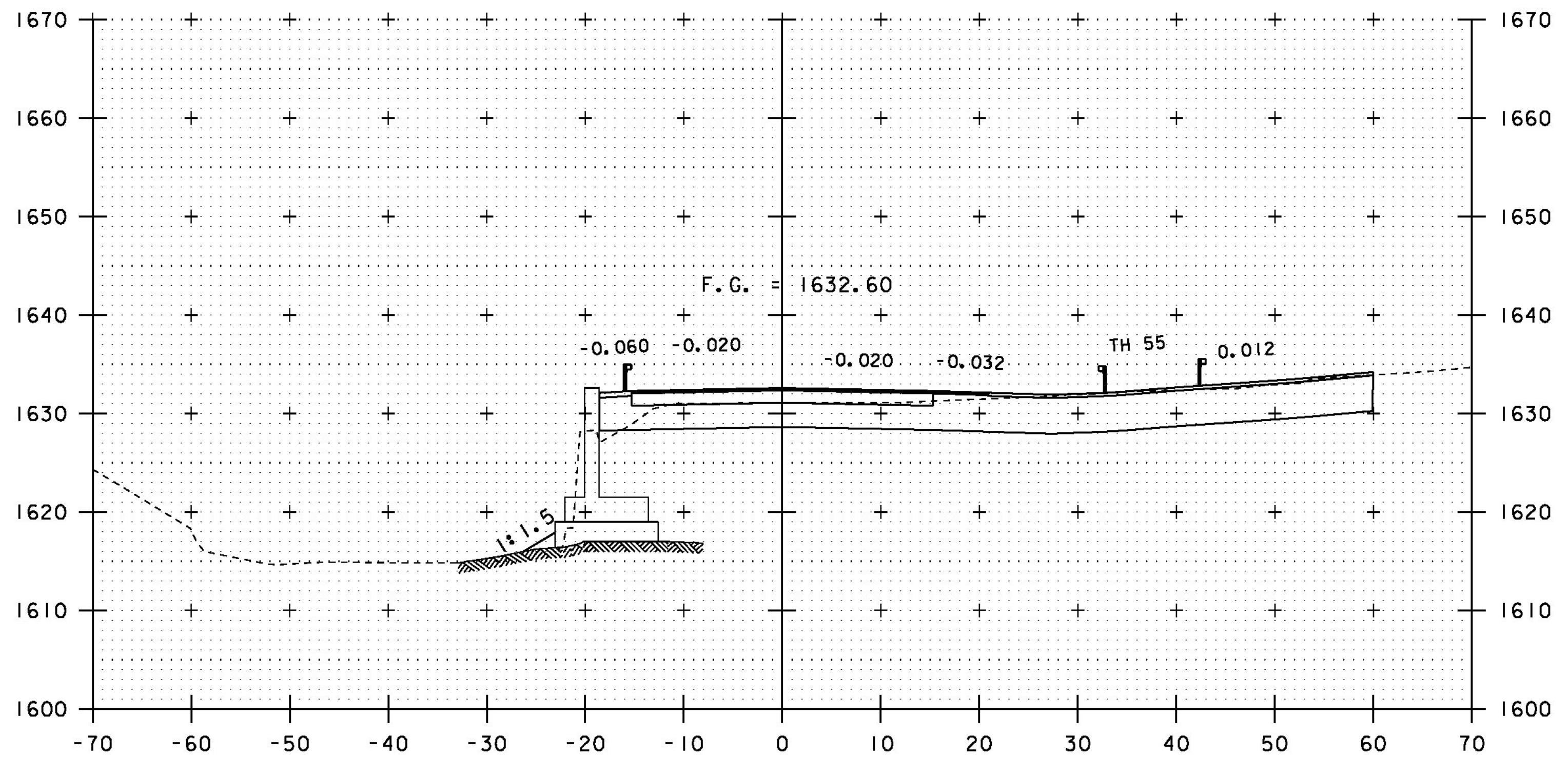


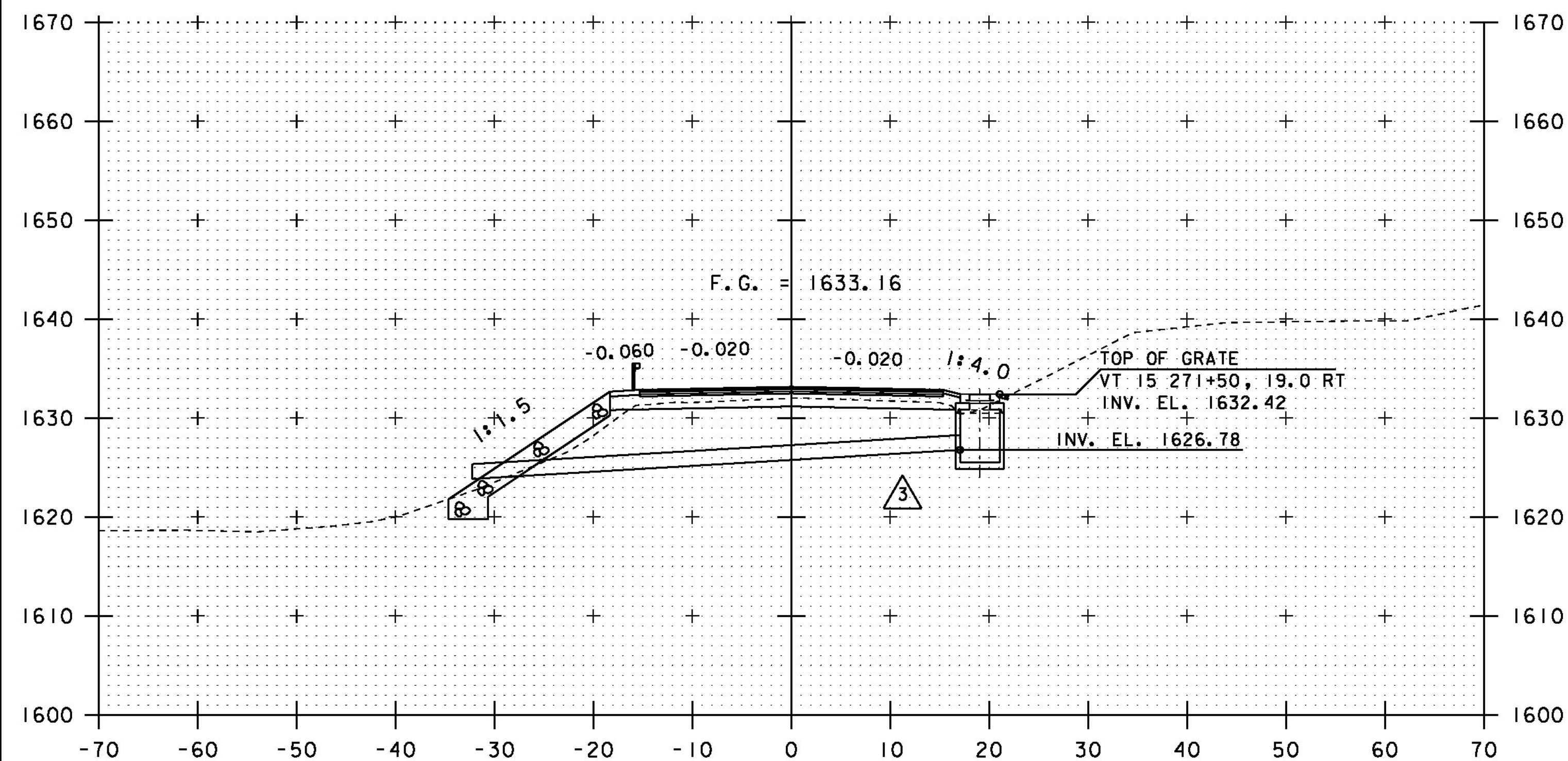
271+75



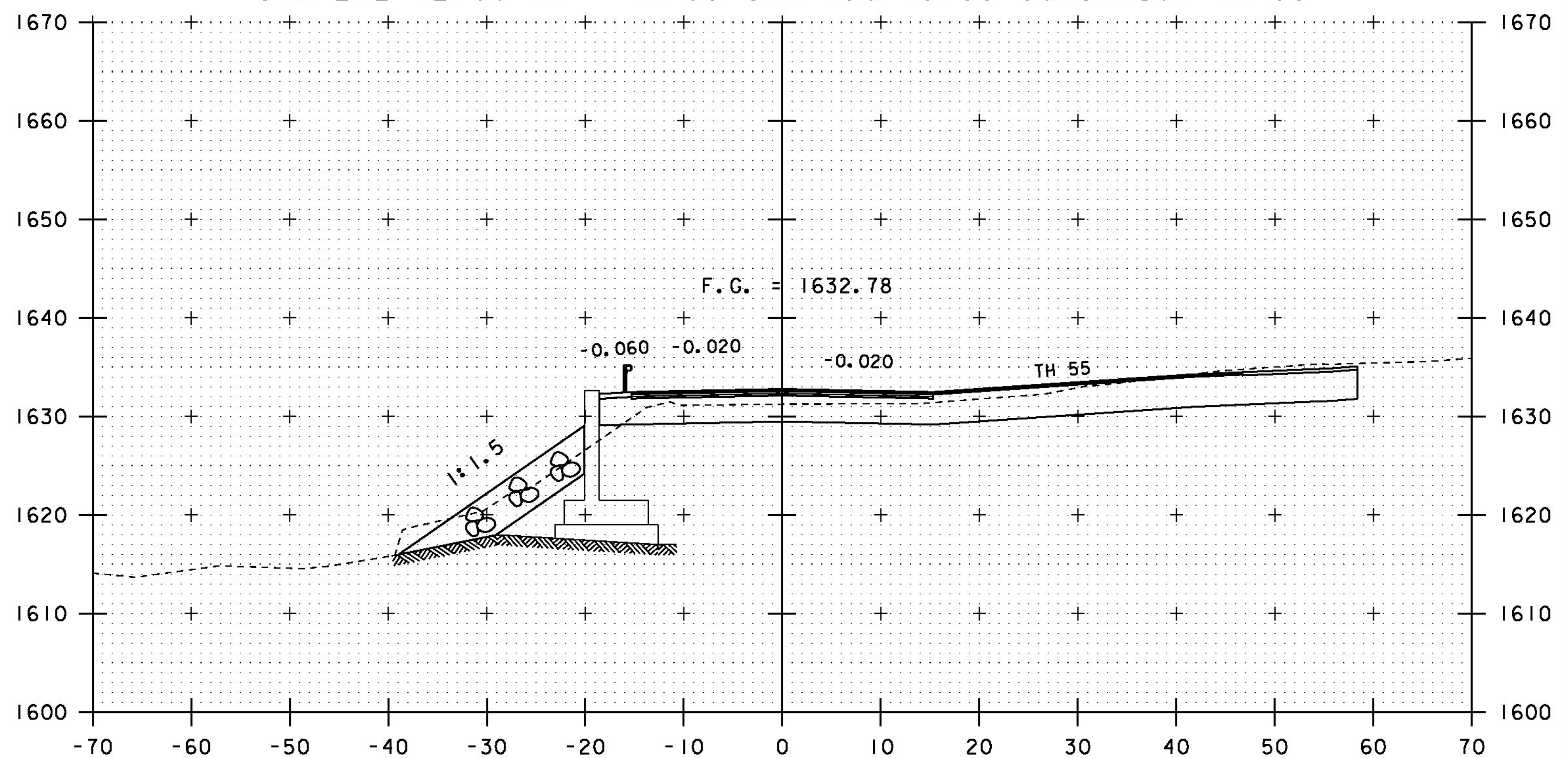
272+25

SEE SHEETS 43 - 44

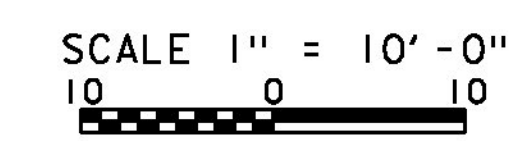
STA 272+12.00 RT = TH 55 STA 750+15.33 CONSTRUCT TH 55



271+50



272+00



STA. 271+50 TO STA. 272+25

PROJECT NAME: WALDEN	PLOT DATE: 30-DEC-2014
PROJECT NUMBER: BRF 030-3(5)	DRAWN BY: R. PELLETT
FILE NAME: s09b308_xsl.dgn	CHECKED BY: H. SALLS
PROJECT LEADER: C. CARLSON	SHEET 38 OF 56
DESIGNED BY: H. SALLS	
ROADWAY CROSS SECTIONS 2	