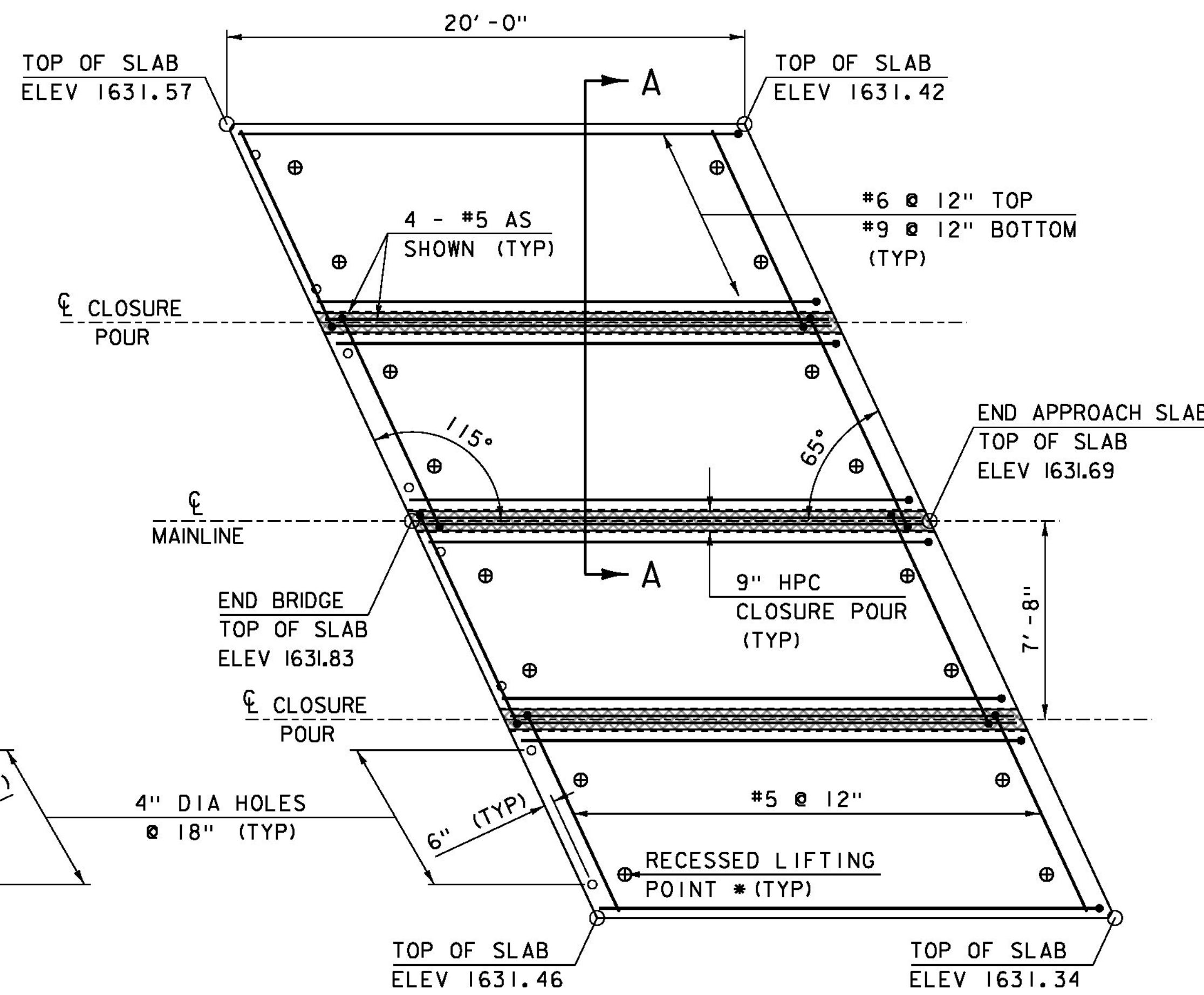


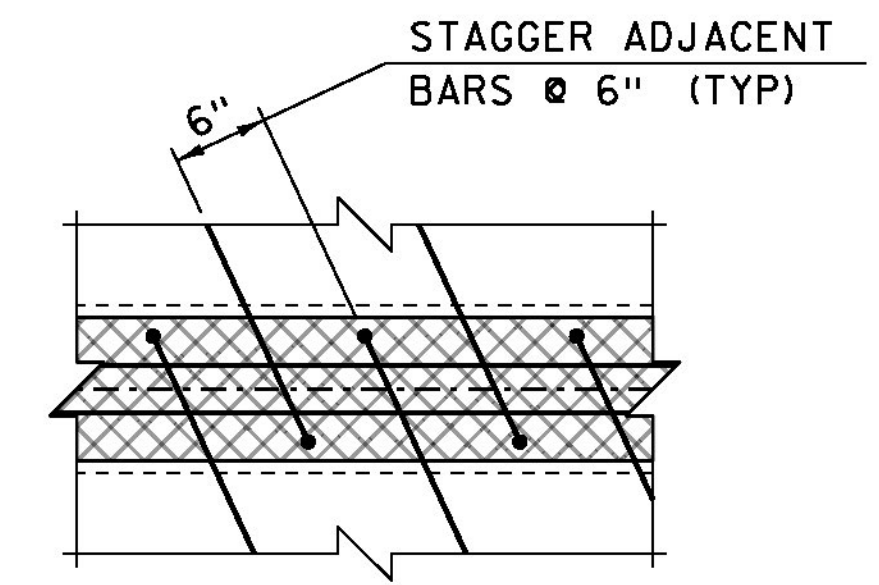
**APPROACH SLAB #1 PLAN VIEW**

SCALE: 1/4" = 1'-0"



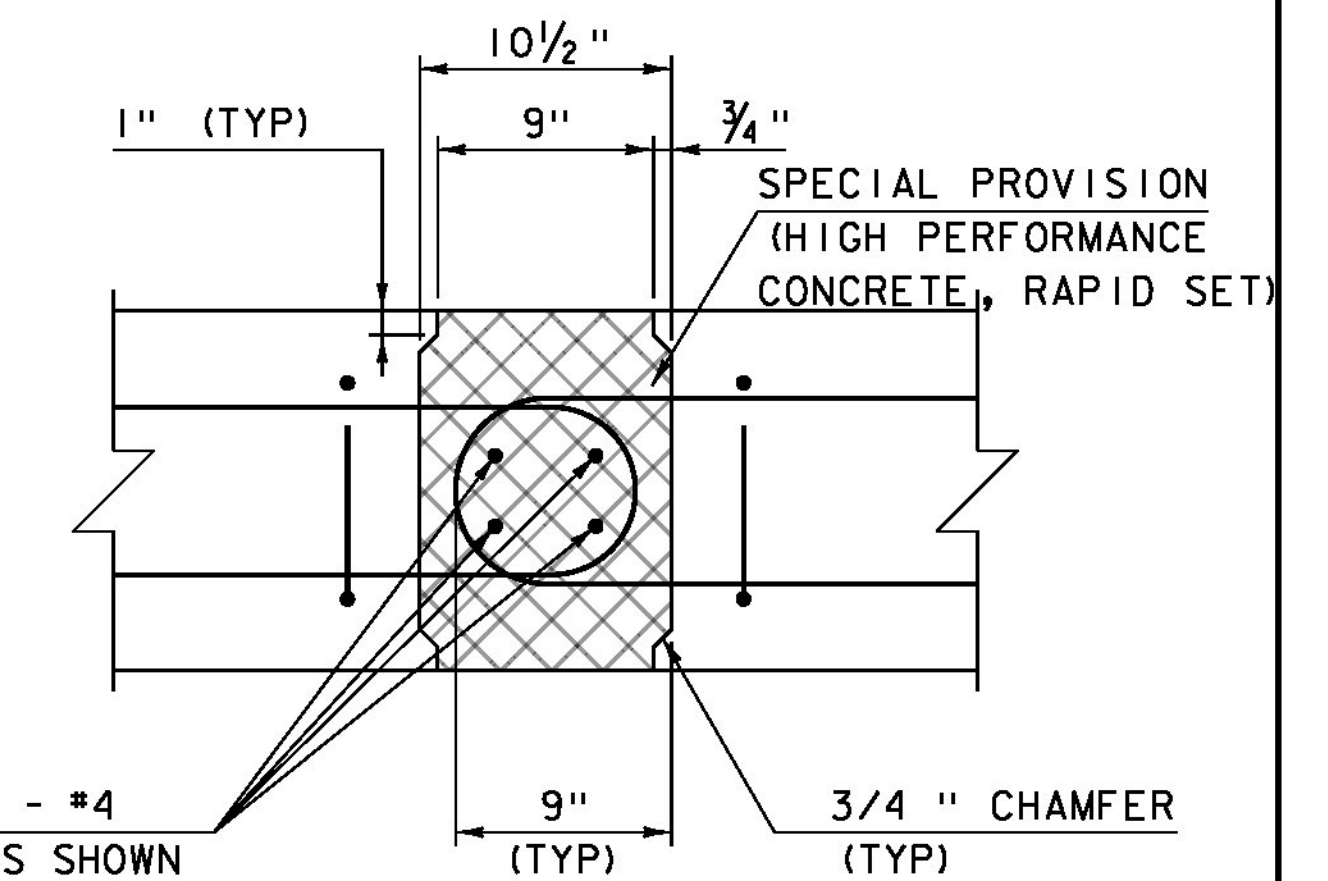
**APPROACH SLAB #2 PLAN VIEW**

SCALE: 1/4" = 1'-0"



**JOINT DETAIL PLAN**

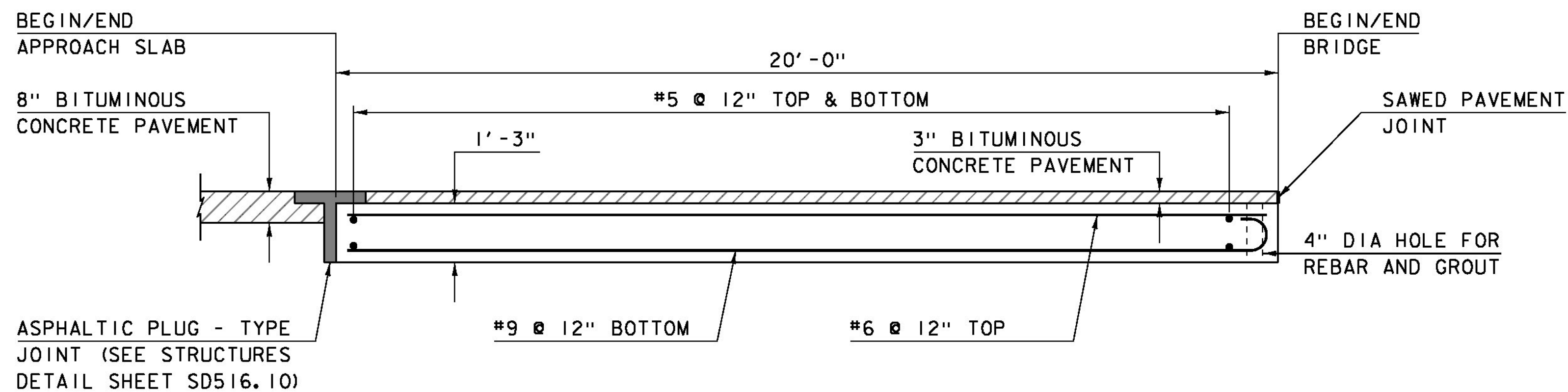
SCALE 1" = 1'-0"



**JOINT DETAIL SECTION**

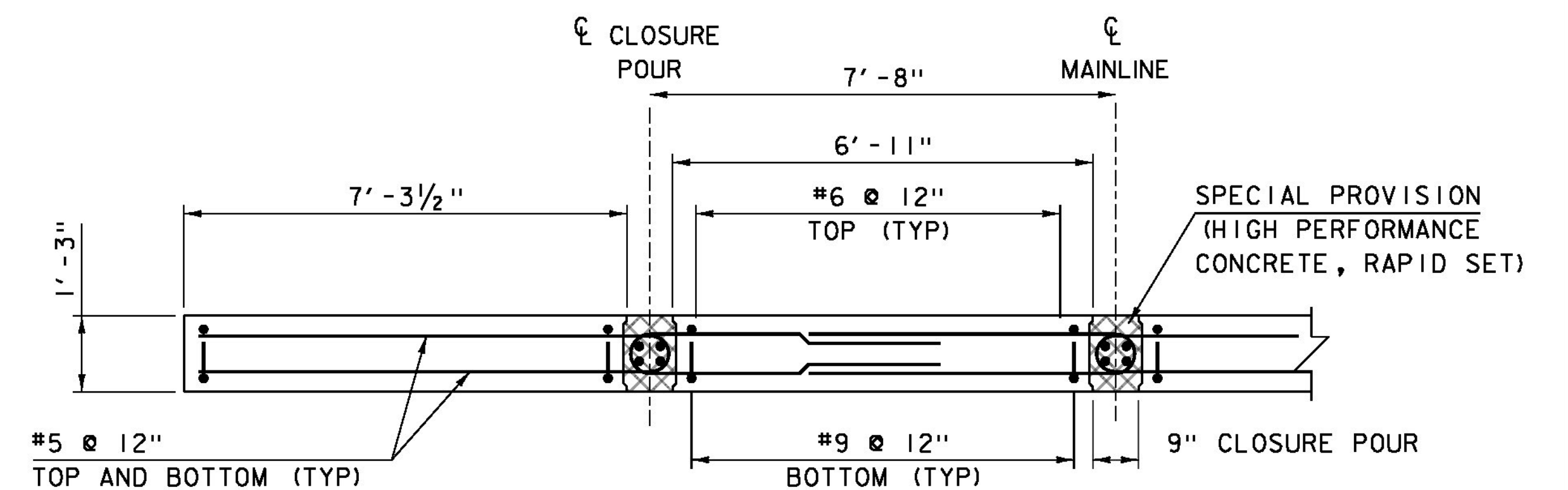
SCALE 1 1/2" = 1'-0"

NOTE:  
FABRICATOR TO DESIGN LIFTING POINTS AND INCLUDE  
CALCULATIONS WITH SUBMITTAL.



**APPROACH SLAB ELEVATION VIEW**

SCALE: 1/2" = 1'-0"



**SECTION A-A**

SCALE: 1/2" = 1'-0"

PROJECT NAME: WALDEN  
PROJECT NUMBER: BRF 030-3(5)

FILE NAME: s09b308\_slab.dgn  
PROJECT LEADER: C. CARLSON  
DESIGNED BY: H. SALLS  
APPROACH SLAB DETAILS

PLOT DATE: 05-DEC-2014  
DRAWN BY: R. PELLET  
CHECKED BY: H. SALLS  
SHEET 29 OF 56