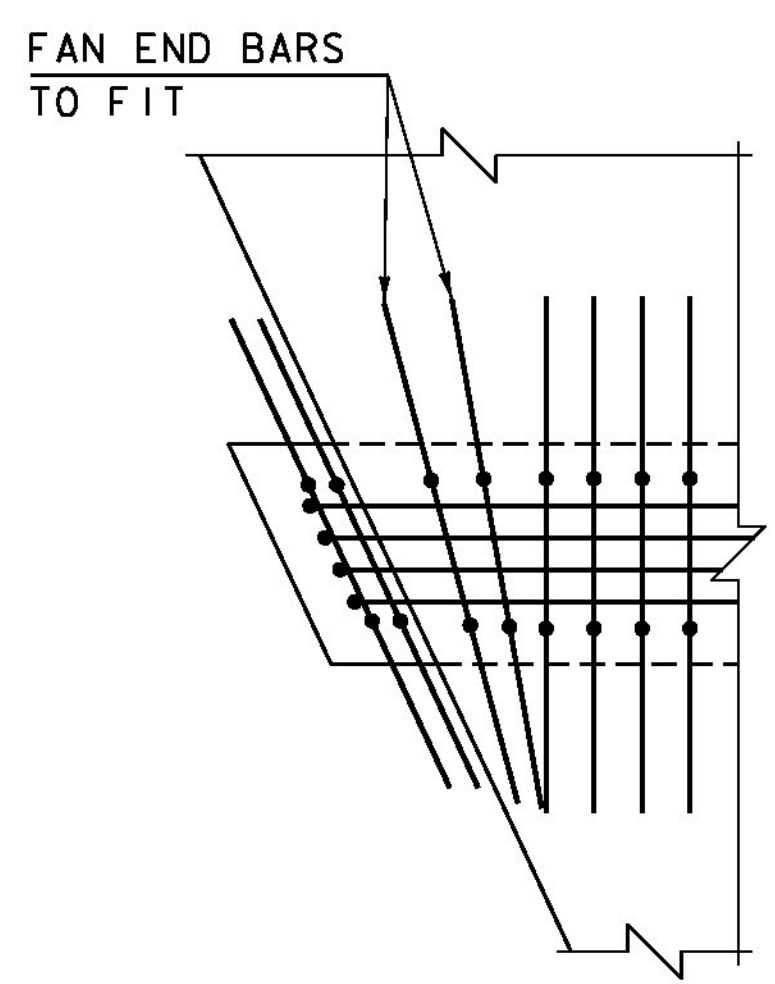


UNITS 1 & 4

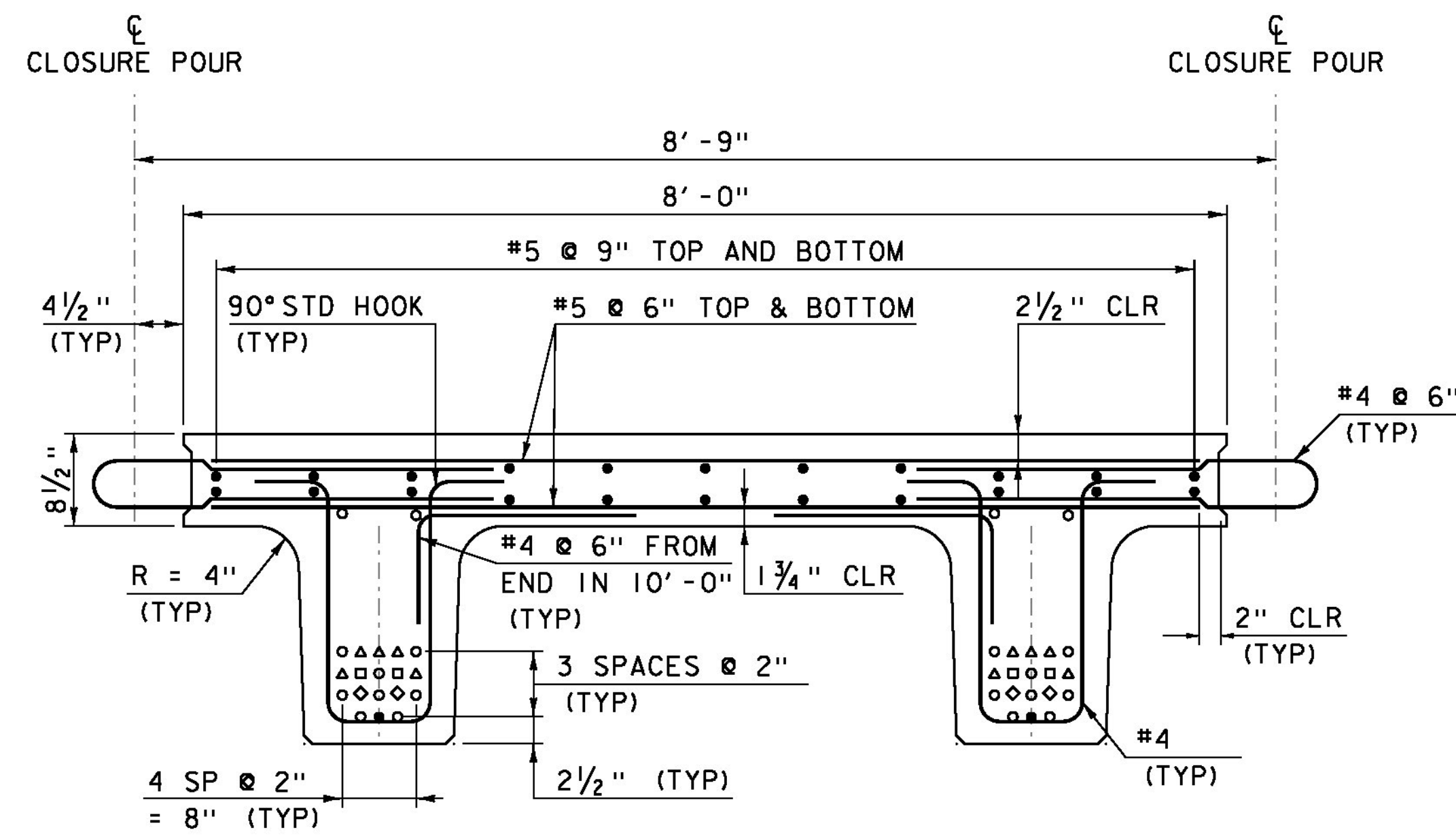
(UNIT 1 SHOWN; UNIT 4 OPPOSITE HAND)
SCALE : 1"=1'-0"



SKEWED END DETAIL
SCALE : 1"=1'-0"

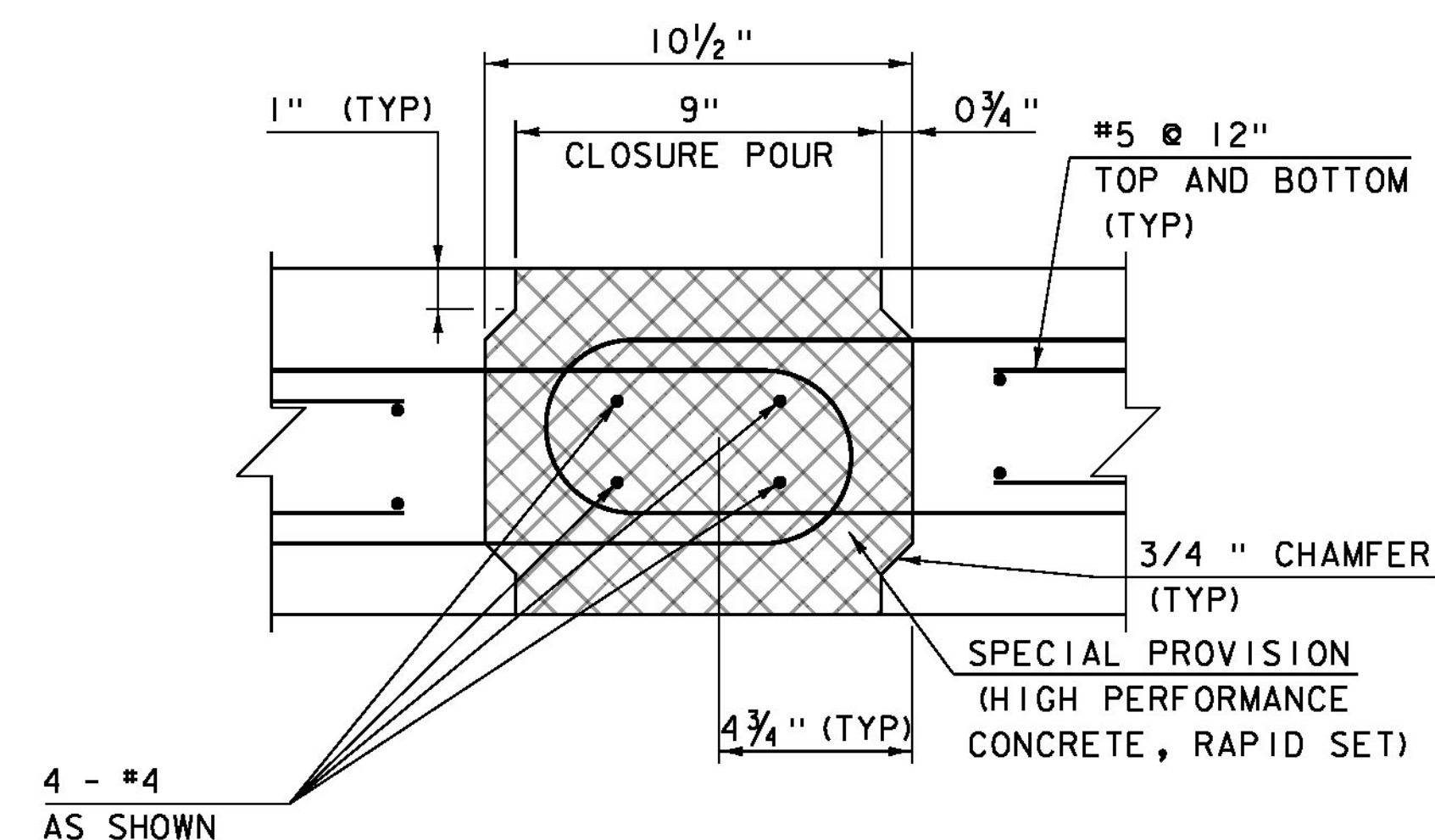
NOTE:

1. BARS IN DECK FLANGE OMITTED FOR CLARITY.
2. TRANSVERSE REINFORCING IN THE DECK SHALL BE PLACED PARALLEL TO THE SKEW.



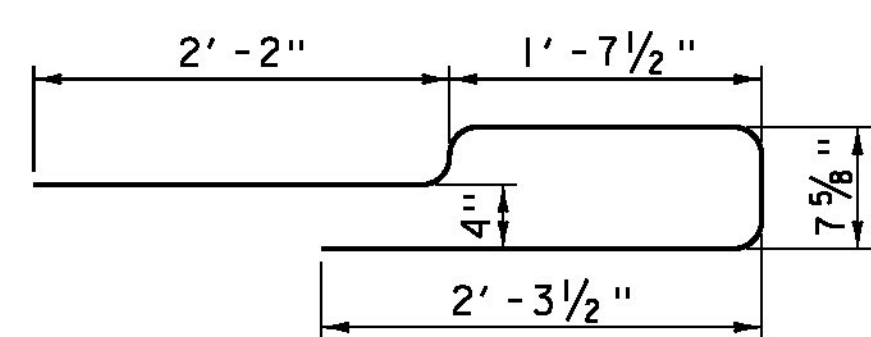
UNITS 2 & 3

SCALE : 1"=1'-0"

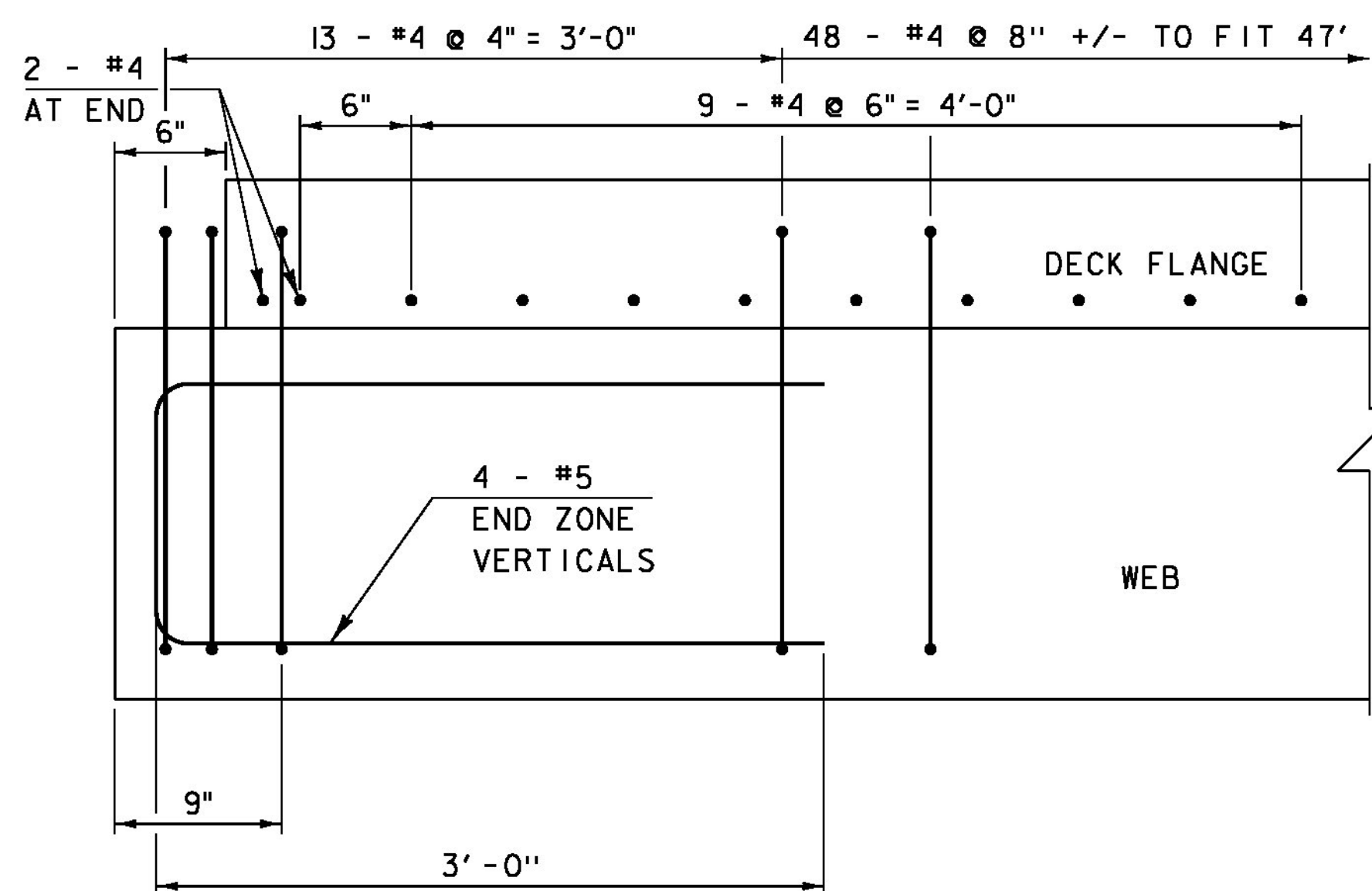


CONNECTION DETAIL SECTION

SCALE : 3" = 1'-0"



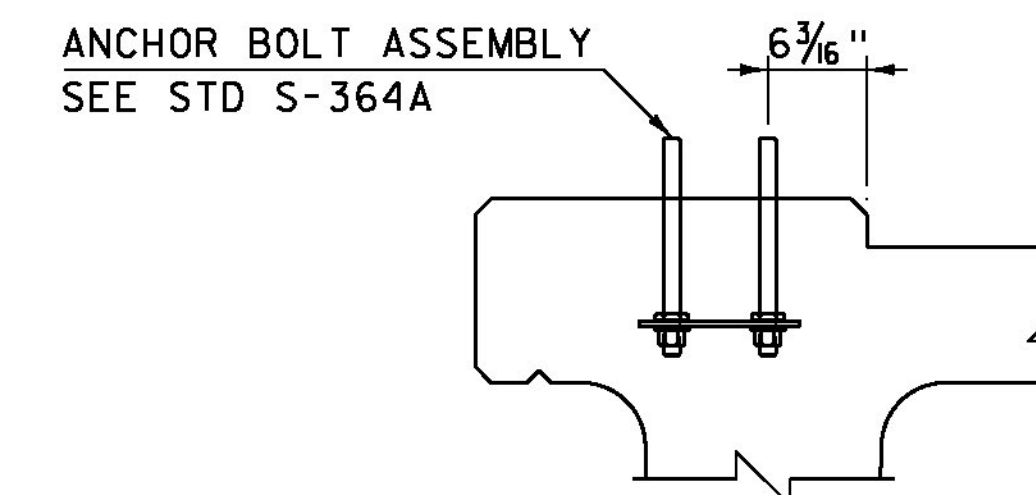
CURB BAR
SCALE : 1"=1'-0"



**ADDITIONAL END BEAM REINFORCING
LONGITUDINAL SECTION**

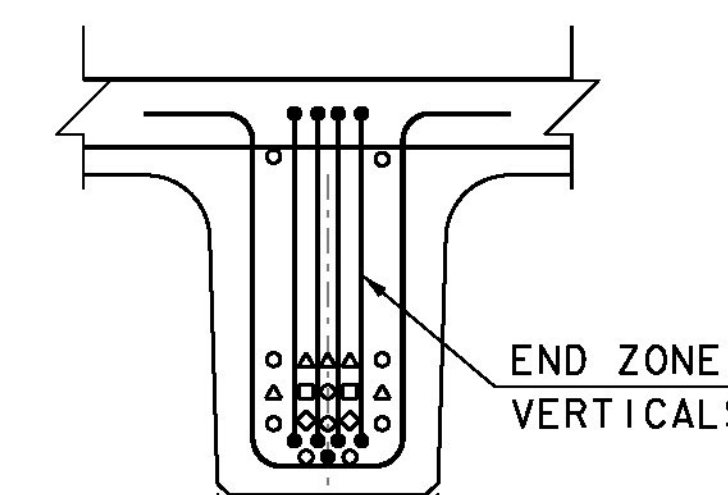
SCALE : 1/2"=1'-0"

*BARS IN DECK FLANGE OMITTED FOR CLARITY



END SECTION

SCALE : 1"=1'-0"



END SECTION

SCALE : 1"=1'-0"

STRAND LEGEND

- STRAIGHT STRAND
- △ DEBONDED 0'-6"
- DEBONDED 4'-0"
- ◇ DEBONDED 8'-0"
- DEBONDED 12'-0"

PROJECT NAME: WALDEN
PROJECT NUMBER: BRF 030-3(5)

FILE NAME: s09b308_next.dgn
PROJECT LEADER: C. CARLSON
DESIGNED BY: H. SALLS
NEXT BEAM TYPICAL SECTIONS

PLOT DATE: 05-DEC-2014
DRAWN BY: R. PELLETT
CHECKED BY: H. SALLS
SHEET 26 OF 56