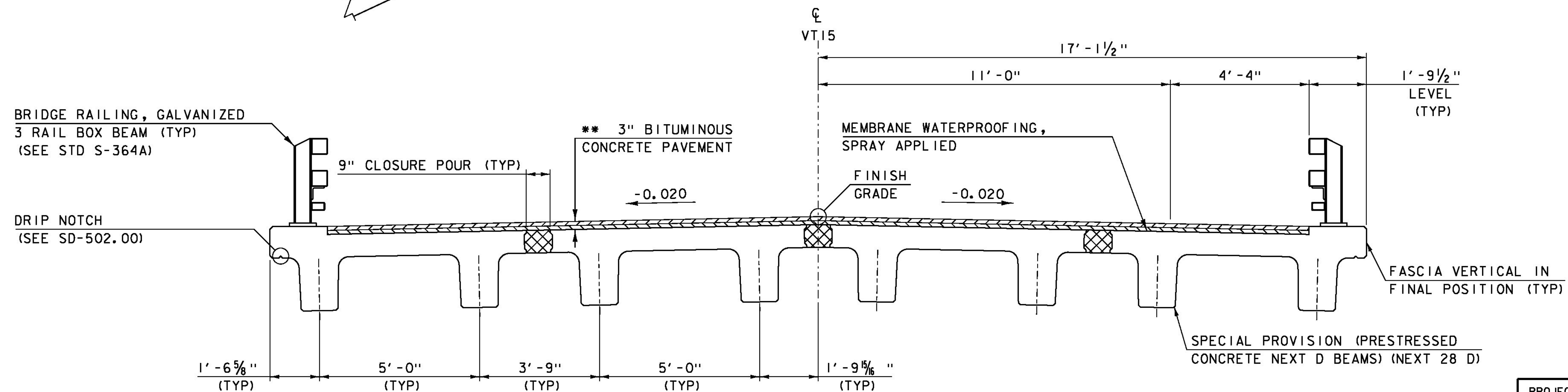


SEE SECTION B-B  
ON SHEET 27  
@ CLOSURE POUR



\*\* 2 LIFTS OF 1 1/2" BITUM. CONC. PAVEMENT TYPE IVS  
PAID UNDER SPECIAL PROVISION (BITUMINOUS CONCRETE  
PAVEMENT, SMALL QUANTITY).

PROJECT NAME: WALDEN  
PROJECT NUMBER: BRF 030-3(5)

FILE NAME: s09b308\_sup.dgn  
PROJECT LEADER: C. CARLSON  
DESIGNED BY: H. SALLS  
FRAMING PLAN

PLOT DATE: 30-DEC-2014  
DRAWN BY: R. PELLET  
CHECKED BY: H. SALLS  
SHEET 25 OF 56