

INDEX OF SHEETS

1	TITLE SHEET
2	GENERAL NOTES
3	QUANTITY SHEET
4	COUNTY/ TOWN LINE DESIGN
5-6	SIGN DETAILS
7	GUIDE SIGN ASSEMBLY
8	WARNING STREET NAME PLAQUE DETAIL
9-18	MORETOWN TRAFFIC SIGN SUMMARY SHEETS I-10
19-32	DUXBURY TRAFFIC SIGN SUMMARY SHEETS I-14
33-55	WATERBURY TRAFFIC SIGN SUMMARY SHEETS I-23
56-75	STOWE TRAFFIC SIGN SUMMARY SHEETS I-20
76-90	MORRISTOWN TRAFFIC SIGN SUMMARY SHEETS I-15
91-103	HYDE PARK TRAFFIC SIGN SUMMARY SHEETS I-13
104-118	EDEN TRAFFIC SIGN SUMMARY SHEETS I-15
119-133	LOWELL TRAFFIC SIGN SUMMARY SHEETS I-15
134-138	WESTFIELD TRAFFIC SIGN SUMMARY SHEETS I-5
139-148	TROY TRAFFIC SIGN SUMMARY SHEETS I-10
149-163	NEWPORT TOWN TRAFFIC SIGN SUMMARY SHEETS I-15
164	TOWN TOTAL SIGN SUMMARY SHEET
165-166	TRAFFIC CONTROL SHEETS

STANDARDS

E-120	STANDARD SIGN PLACEMENT EXPRESSWAY AND FREEWAY	08/08/1995
E-121	STANDARD SIGN PLACEMENT CONVENTIONAL ROAD	08/08/1995
E-123	GUIDE SIGN PLACEMENT	03/16/2004
E-127	ROUTE MARKINGS AT RURAL INTERSECTIONS	08/08/1995
E-128A	VILLAGE SIGNS A-M	08/08/1995
E-128B	VILLAGE SIGNS N-W	08/08/1995
E-132	GENERAL MOTORIST SERVICES SIGN DETAIL	08/18/1995
E-136B	STATE ROUTE MARKER SIGN DETAILS	08/08/1995
E-136C	STATE NUMBER TOWN HIGHWAY SIGN DETAILS	08/08/1995
E-138	MILEMARKER DETAILS STATE AND TOWN HIGHWAYS	05/30/2003
E-141	REGULATORY SIGN DETAILS	09/20/1995
E-144	REGULATORY SIGN DETAILS	03/29/1999
E-145A	REGULATORY SIGN DETAILS LANE USE CONTROL SIGNS	12/23/1994
E-145B	REGULATORY SIGN DETAILS LANE USE CONTROL SIGNS	12/23/1994
E-153	WARNING SIGN DETAILS	05/01/2004
E-154	WARNING SIGN DETAILS	05/01/2004
E-164	SQUARE STEEL POSTS	06/08/2009

CLASS I SECTIONS OF HIGHWAY TO BE EXCLUDED FROM THIS PROJECT

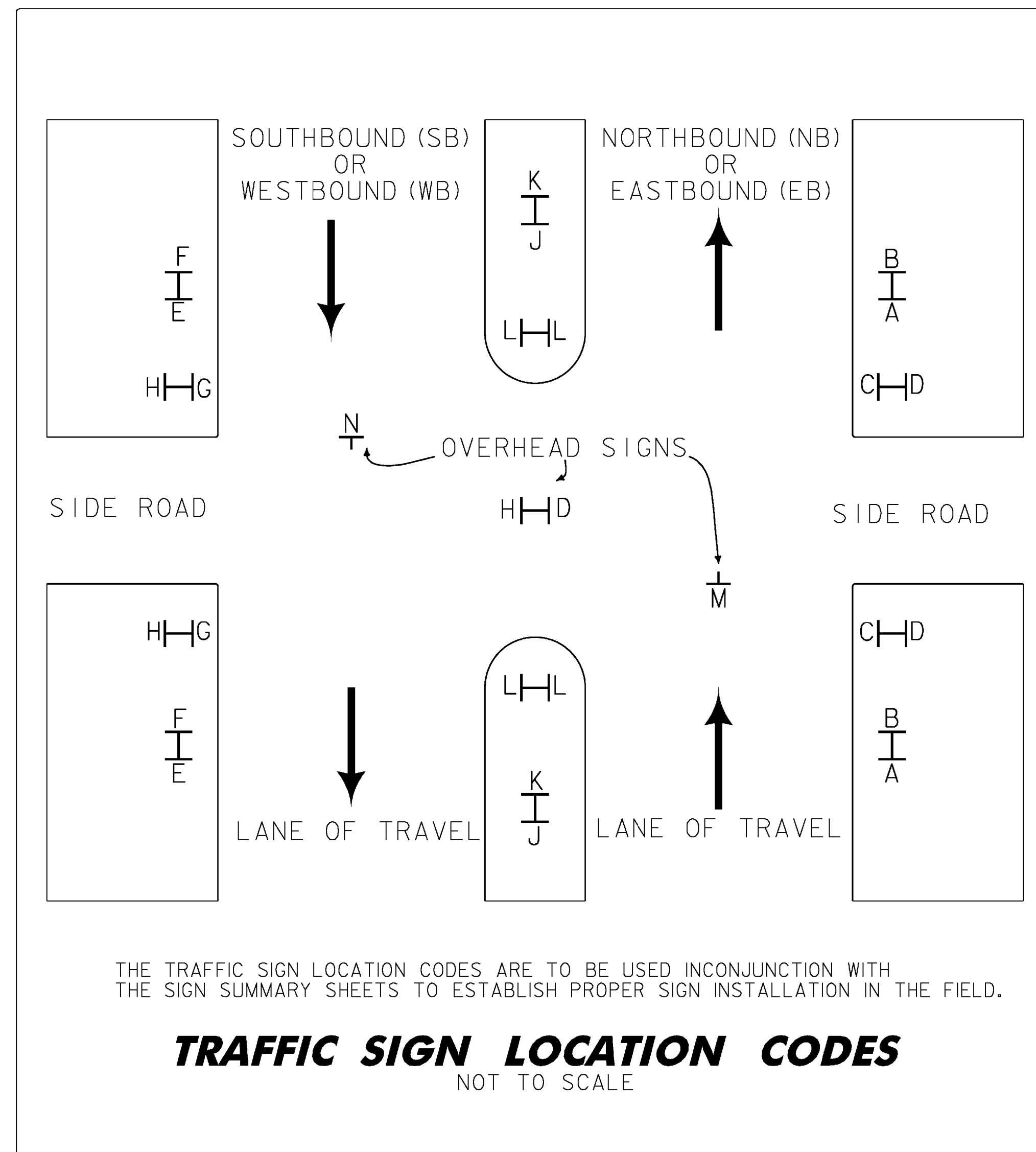
TOWN	BEGIN MM	END MM	DISTANCE
STOWE	2.945	3.987	1.042
MORRISTOWN	4.851	6.188	1.337

TOTAL CLASS I MILEAGE 2.379

GENERAL NOTES

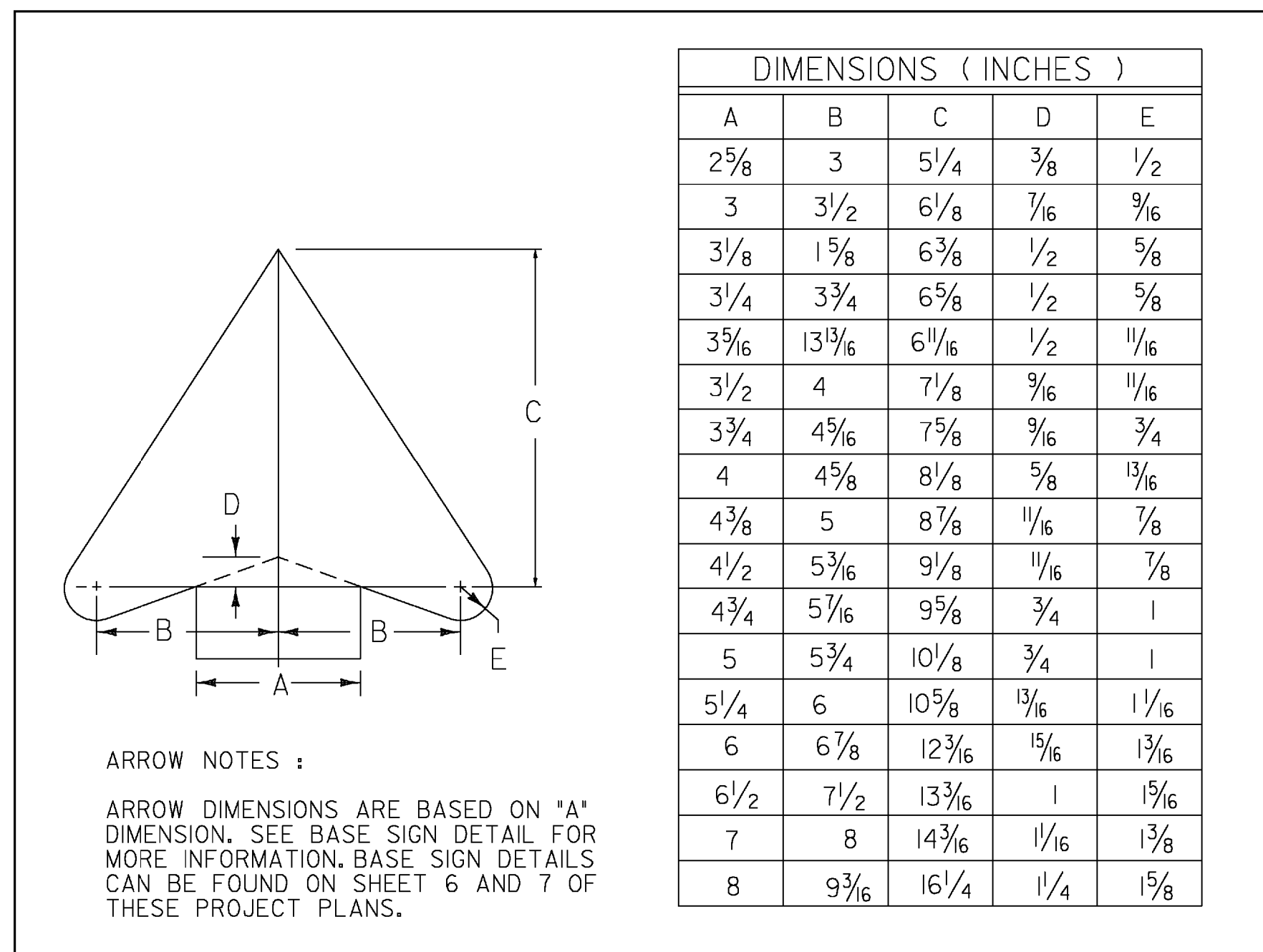
- ALL NEW SIGNS SHALL BE IN ACCORDANCE WITH THESE PLANS, THE LATEST EDITION OF THE 2003 MANUAL ON UNIFORM TRAFFIC CONTROL DEVICES, THE STANDARD HIGHWAY SIGN BOOK (SHS) PUBLISHED BY THE FEDERAL HIGHWAY ADMINISTRATION (FHWA), AND APPLICABLE VTRANS E-SERIES STANDARDS OR AS DIRECTED BY THE ENGINEER. SIGN LOCATIONS AS SHOWN ON THE PLANS ARE APPROXIMATE. EXACT LOCATIONS TO BE DETERMINED BY THE ENGINEER IN THE FIELD.
- ALL SIGNS WITHIN THE PROJECT LIMITS ARE TO BE REPLACED UNLESS OTHERWISE NOTED OR AS DIRECTED BY THE RESIDENT ENGINEER.
- THE CONTRACTOR SHALL BE RESPONSIBLE FOR REPAIRING ANY DAMAGE TO PRIVATE OR PUBLIC PROPERTY CAUSED BY THE CONTRACTOR, AT THEIR EXPENSE.
- ALL EXISTING MILE MARKER PLAQUES ATTACHED TO A DELINEATOR POST OR ATTACHED TO A RETAINED STAND ALONE SIGN POST ASSEMBLY SHALL BE RETAINED. IF AN EXISTING MILE MARKER PLAQUE IS ATTACHED TO A SIGN POST THAT IS TO BE REMOVED AND REPLACED IN THE SAME LOCATION, THE MILE MARKER PLAQUE SHALL BE REMOVED, SALVAGED AND INSTALLED TO THE NEW SIGN POST. IF AN EXISTING MILE MARKER PLAQUE IS ATTACHED TO A SIGN POST THAT IS TO BE RELOCATED TO A DIFFERENT LOCATION, THE MILE MARKER PLAQUE SHALL BE REMOVED, UNLESS OTHERWISE DIRECTED BY THE ENGINEER. PAYMENT FOR ANY OF THIS WORK SHALL BE INCIDENTAL TO ITEM 675.341 SQUARE TUBE POST AND ANCHOR. PAYMENT FOR NEW MILE MARKERS AS SHOWN ON THESE PLANS SHALL BE PAID FOR AS ITEM 675.20 TRAFFIC SIGN, TYPE A.
- SALVAGED SIGN TOTALS HAS BEEN ADDED TO THE TOTAL SIGN REMOVAL COLUMN ON THE TOWN TOTAL SIGN SUMMARY SHEET.
- EXISTING STREET NAME SIGNS ATTACHED TO SIGN POSTS THAT ARE TO BE REPLACED, SHALL BE REMOVED AND INSTALLED ONTO NEW POST. ALL WORK AND MATERIALS NECESSARY TO REMOVE AND INSTALL THE STREET NAME PLAQUES SHALL BE PAID UNDER ITEM 675.60 ERECTING SALVAGED SIGNS. AN ESTIMATED QUANTITY HAS BEEN ADDED TO PAY ITEM 675.60 TO PAY FOR THIS WORK.
- ALL EXISTING STREET NAME PLAQUES INSTALLED ON STAND ALONE SIGN POSTS SHALL BE RETAINED WITHIN THE PROJECT LIMITS.
- ALL SIGN PLACEMENT SHALL BE IN CONFORMANCE WITH STATE STANDARD E-120 STANDARD SIGN PLACEMENT CONVENTIONAL ROADS AND E-121 STANDARD SIGN PLACEMENT EXPRESSWAY AND FREEWAY.
- ALL SIGN LETTERING, DIGITS, ARROWS, AND DESIGN OF SYMBOLS FOR SIGNS DETAILED REFERENCED IN THESE PLANS SHALL CONFORM WITH THE "STANDARD ALPHABET FOR HIGHWAY SIGNS AND PAVEMENT MARKING" AS ADOPTED BY THE U.S. DEPARTMENT OF TRANSPORTATION AND THE FEDERAL HIGHWAY ADMINISTRATION (FHWA). UNLESS DETAILED WITHIN THESE PLANS.
- ALL COLORS SHALL CONFORM WITH THE STANDARD COLORS ADOPTED BY THE AMERICAN ASSOCIATION OF STATE HIGHWAY AND TRANSPORTATION OFFICIALS (AASHTO) AND APPROVED BY FHWA. UNLESS OTHERWISE NOTED.
- WITHIN THE TRAFFIC SIGN SUMMARY SHEETS FY= FLUORESCENT YELLOW SHEETING (ASTM VII, VIII, OR IX) AND FYG = FLUORESCENT YELLOW-GREEN SHEETING (ASTM TYPE VII, VIII, OR IX).
- SALVAGED SIGNS CALCULATED IN THE TRAFFIC SIGN SUMMARY SHEET HAVE BEEN INCLUDED INTO THE TOTAL FOR REMOVING SIGNS.
- UNLESS OTHERWISE DETAILED ON THE PLANS, ALL SIGN BASE MATERIAL SHALL BE FLAT SHEET ALUMINUM WITH THE FOLLOWING MINIMUM THICKNESSES:

SIZES	24" X 10"	24" X 12"	36" X 12"	
		24" X 18"	36" X 15"	
	24" X 24"	36" X 18"	48" X 18"	
	24" X 30"	36" X 24"	48" X 24"	
	9" X 12"	30" X 15"	30" X 42"	48" X 30"
	12" X 12"	30" X 18"	36" X 36"	48" X 42"
	18" X 18"	30" X 30"	36" X 48"	48" X 48"
	21" X 15"	30" X 42"	36" X 54"	48" X 60"
THICKNESS	0.060"	0.080"	0.100"	0.125"



THE TRAFFIC SIGN LOCATION CODES ARE TO BE USED INCONJUNCTION WITH THE SIGN SUMMARY SHEETS TO ESTABLISH PROPER SIGN INSTALLATION IN THE FIELD.

TRAFFIC SIGN LOCATION CODES
NOT TO SCALE



ARROW NOTES :
ARROW DIMENSIONS ARE BASED ON "A" DIMENSION. SEE BASE SIGN DETAIL FOR MORE INFORMATION. BASE SIGN DETAILS CAN BE FOUND ON SHEET 6 AND 7 OF THESE PROJECT PLANS.

PROJECT NAME:	MORETOWN - NEWPORT TOWN	FILE NAME:	09B060_TS.DGN	PLOT DATE:	30-SEP-2009
PROJECT NUMBER:	STPG SIGN (28)	PROJECT LEADER:	N. AVERY	DRAWN BY:	N. AVERY
		DESIGNED BY:	N. AVERY	CHECKED BY:	A. GAMBLE
		GENERAL NOTES		SHEET 2	OF 166