

W1-2Mi L(R)
DIMENSIONS NOT SHOWN
FOR THIS DETAIL SHALL CONFORM
TO THE LATEST EDITION OF THE 2003 MUTCD
FOR SIGN DETAIL W1-2.
UNLESS OTHERWISE NOTED FOR THIS DETAIL

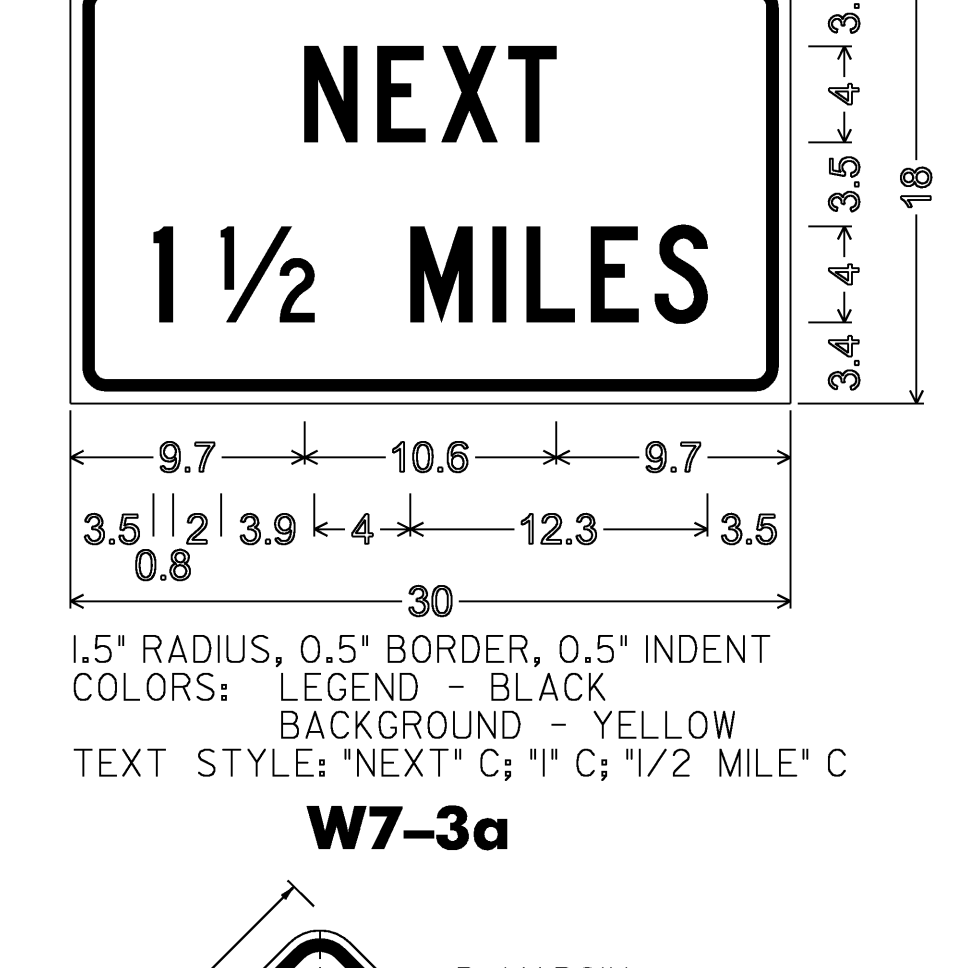
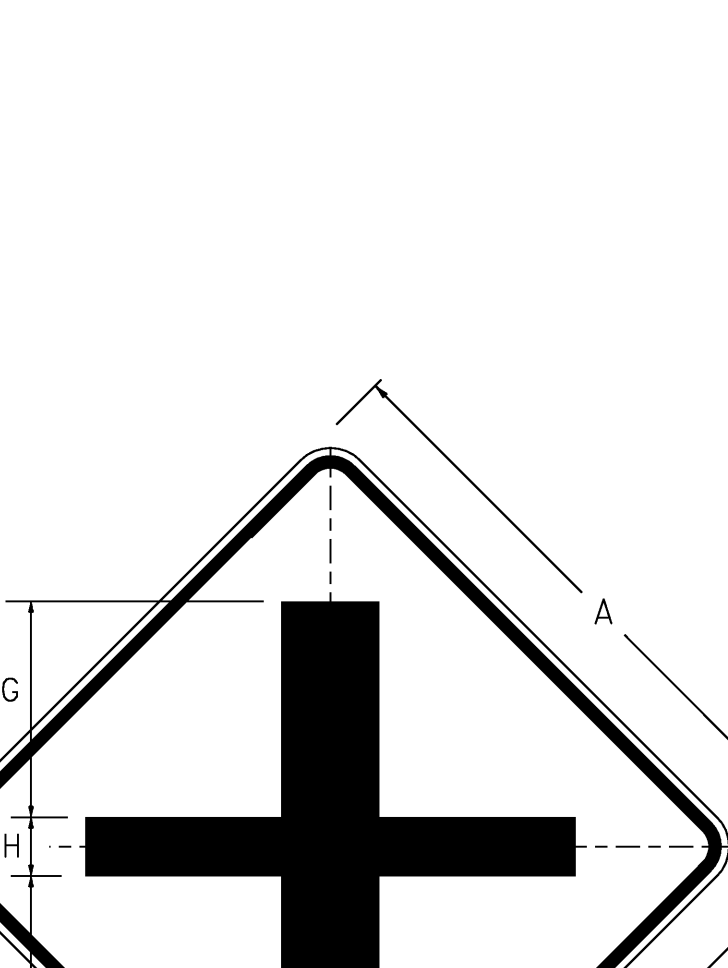
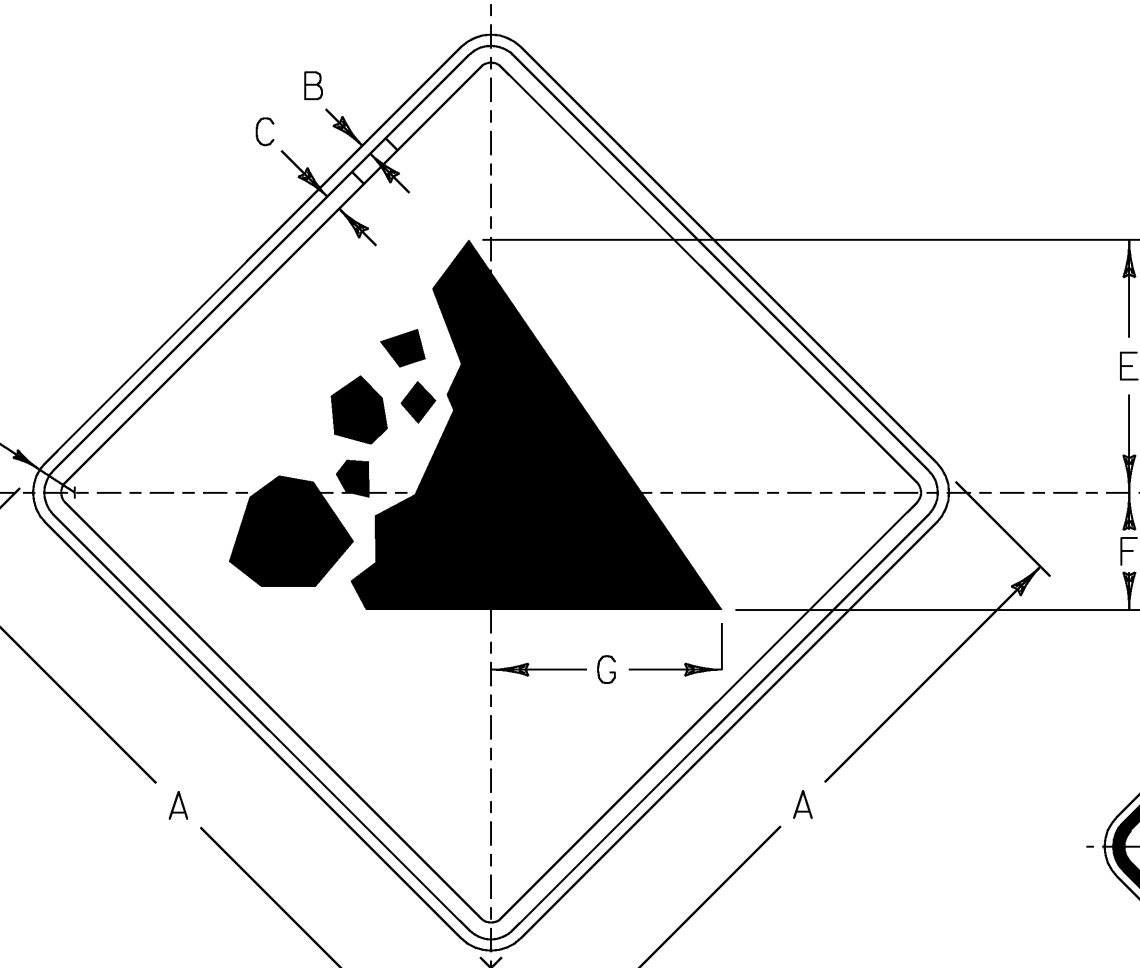
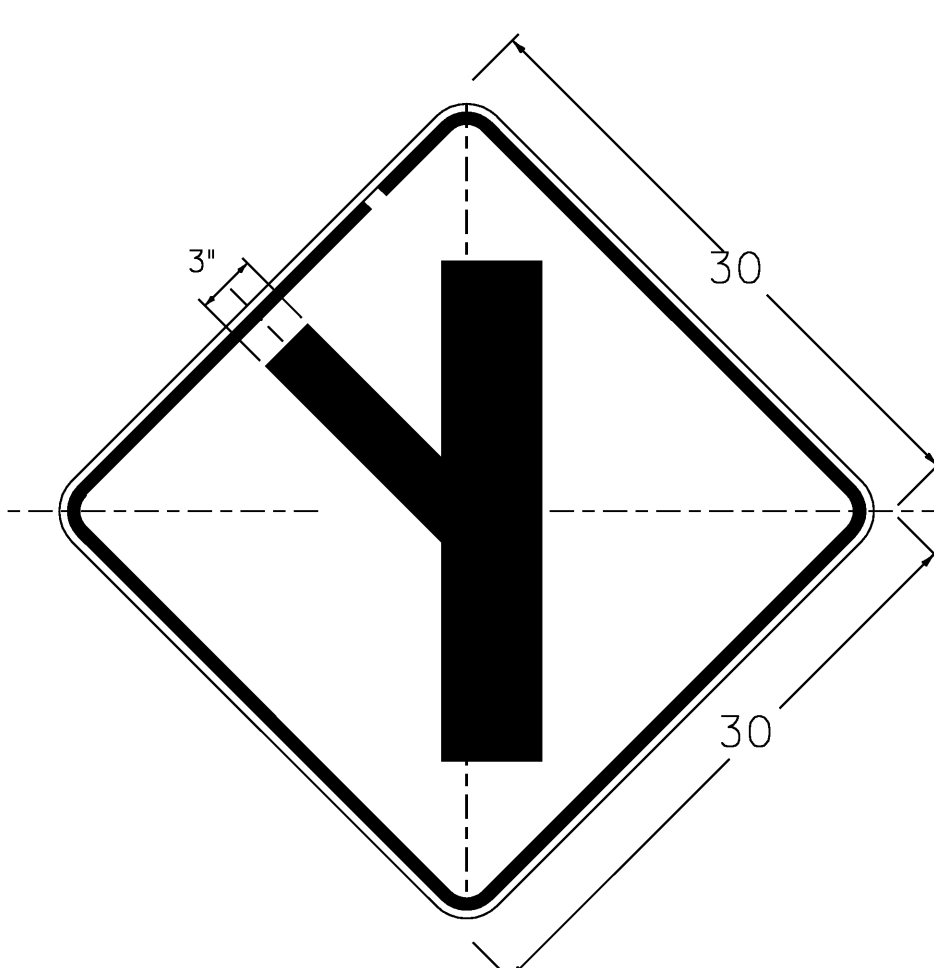
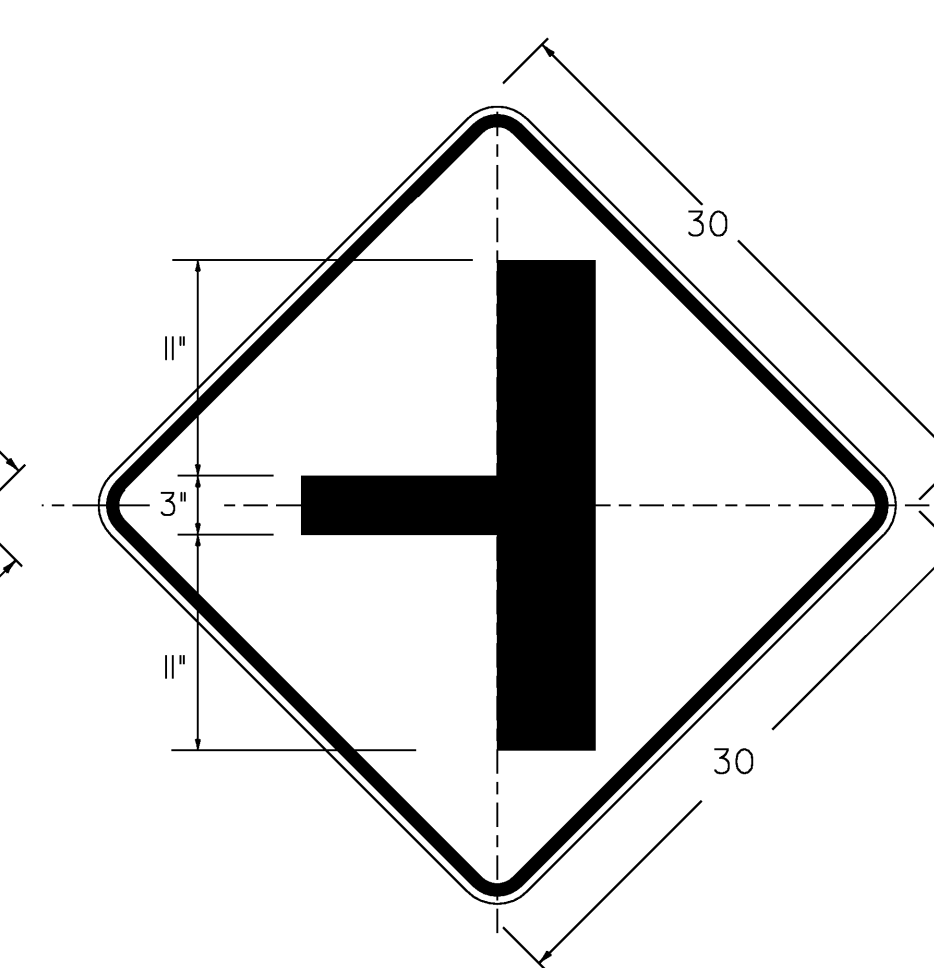
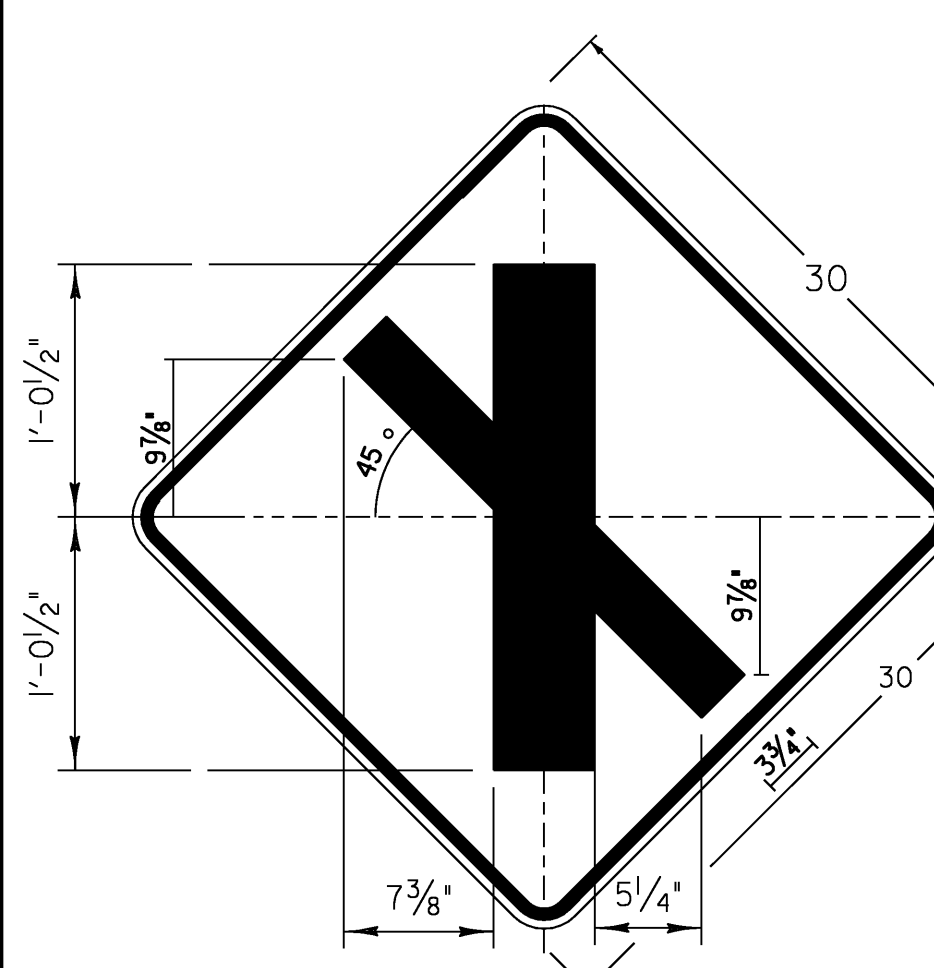
W1-2Mh L(R)
DIMENSIONS NOT SHOWN
FOR THIS DETAIL SHALL CONFORM
TO THE LATEST EDITION OF THE 2003 MUTCD
FOR SIGN DETAIL W1-2.
UNLESS OTHERWISE NOTED FOR THIS DETAIL

W1-2Mg L
DIMENSIONS NOT SHOWN
FOR THIS DETAIL SHALL CONFORM
TO THE LATEST EDITION OF THE 2003 MUTCD
FOR SIGN DETAIL W1-2.
UNLESS OTHERWISE NOTED FOR THIS DETAIL

W1-2Mc L
DIMENSIONS NOT SHOWN
FOR THIS DETAIL SHALL CONFORM
TO THE LATEST EDITION OF THE 2003 MUTCD
FOR SIGN DETAIL W1-2.
UNLESS OTHERWISE NOTED FOR THIS DETAIL

W1-2Mb R(L)
DIMENSIONS NOT SHOWN
FOR THIS DETAIL SHALL CONFORM
TO THE LATEST EDITION OF THE 2003 MUTCD
FOR SIGN DETAIL W1-2.
UNLESS OTHERWISE NOTED FOR THIS DETAIL

1.875" RADIUS, 0.75" BORDER, 0.5" INDENT
COLORS: LEGEND - BLACK
BACKGROUND - YELLOW
TEXT STYLE: "SUMMER" C; "CAMP" C; "AHEAD" C
VW-219



W2-1Mh
DIMENSIONS NOT SHOWN
FOR THIS DETAIL SHALL CONFORM
TO THE LATEST EDITION OF THE 2003 MUTCD
FOR SIGN DETAIL W2-1.
UNLESS OTHERWISE NOTED FOR THIS DETAIL

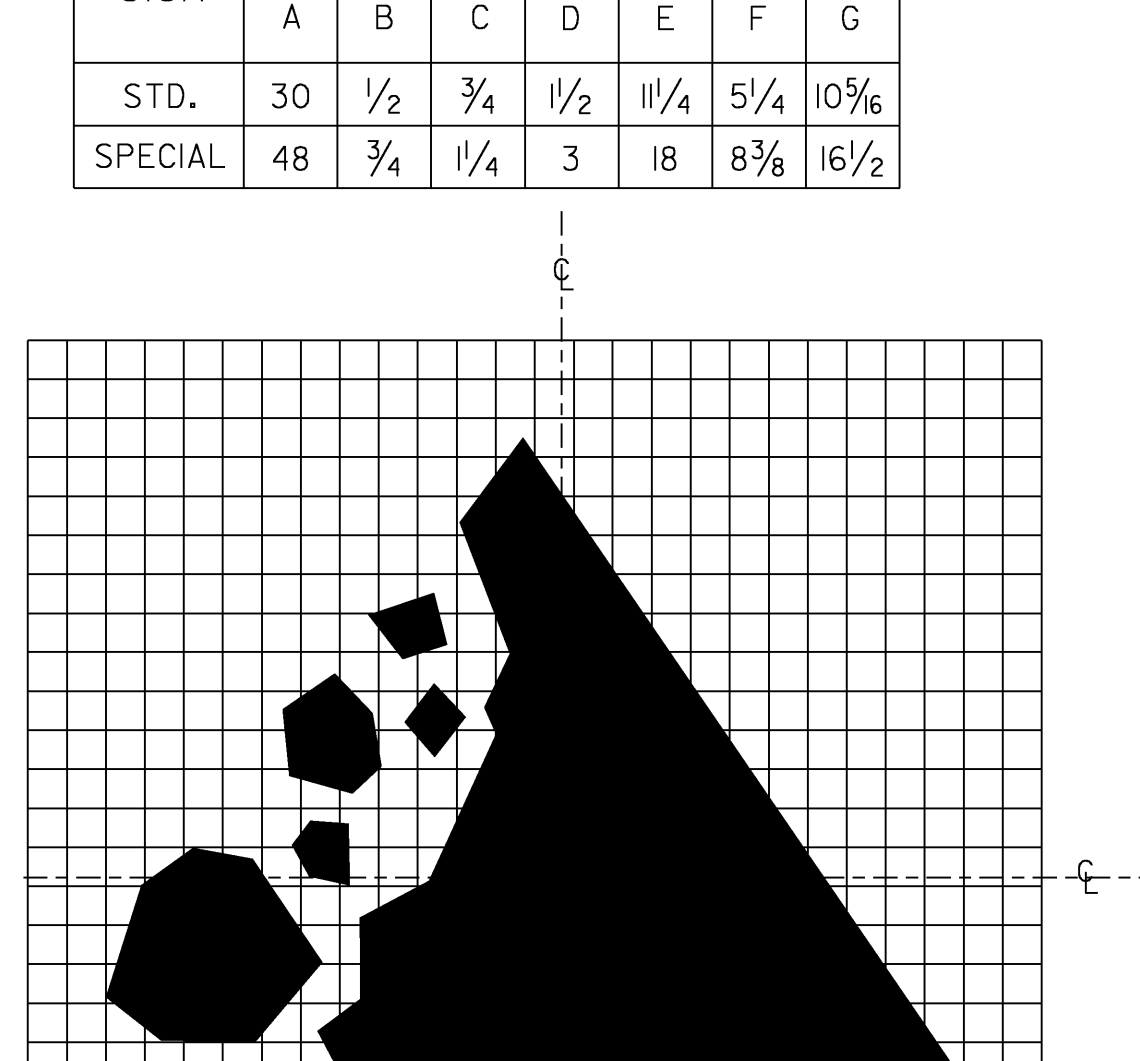
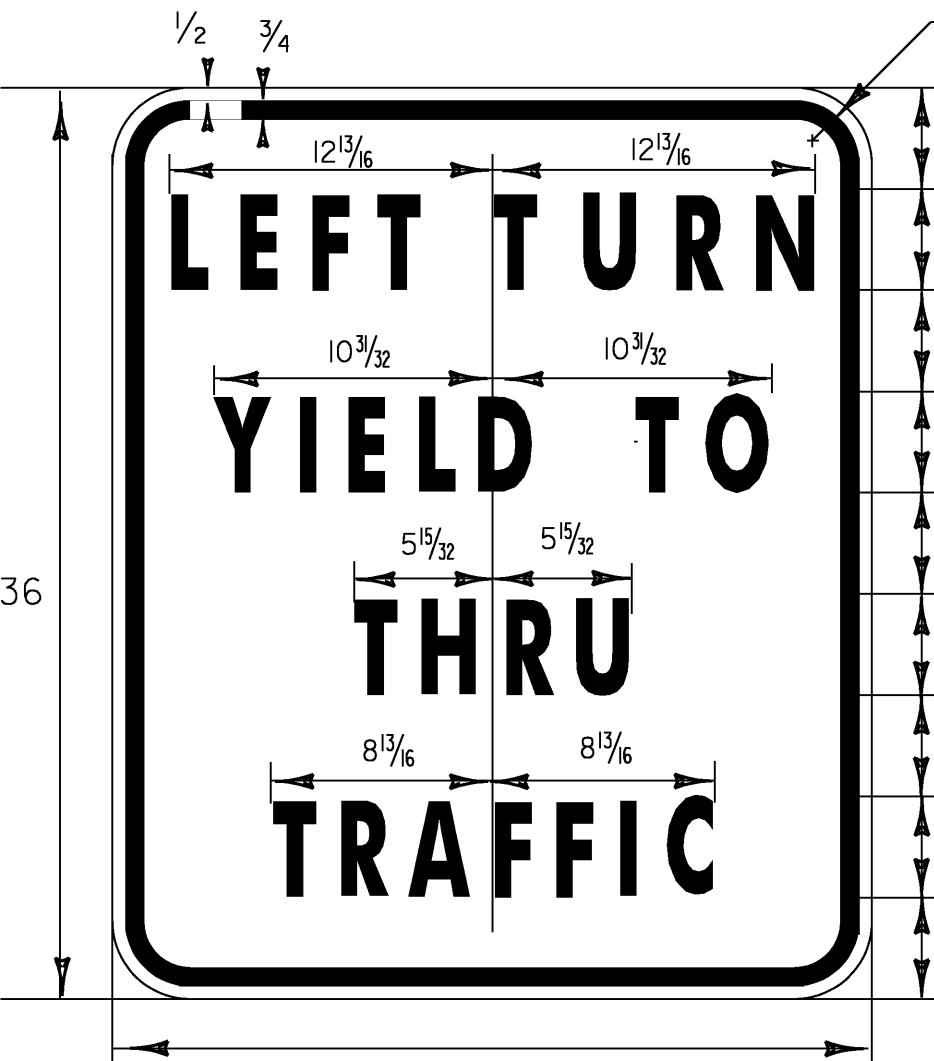
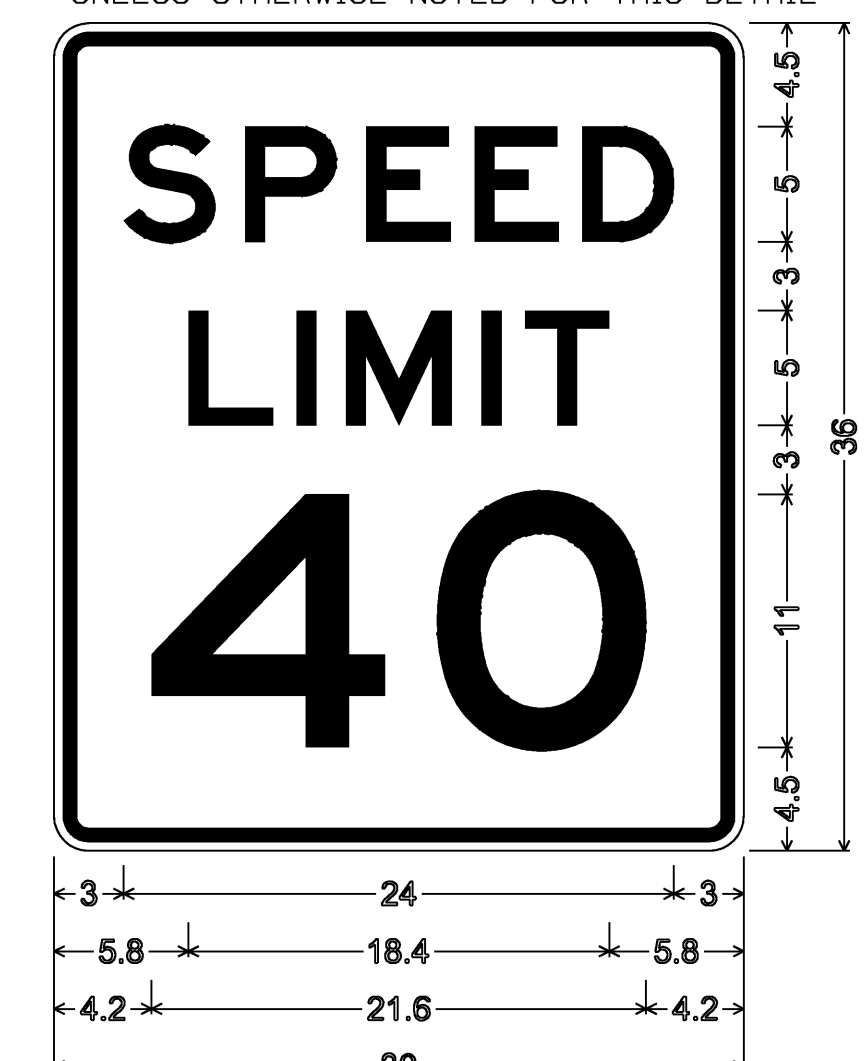
W2-2Ma L(R)
DIMENSIONS NOT SHOWN
FOR THIS DETAIL SHALL CONFORM
TO THE LATEST EDITION OF THE 2003 MUTCD
FOR SIGN DETAIL W2-2.
UNLESS OTHERWISE NOTED FOR THIS DETAIL

W2-3Ma L(R)
DIMENSIONS NOT SHOWN
FOR THIS DETAIL SHALL CONFORM
TO THE LATEST EDITION OF THE 2003 MUTCD
FOR SIGN DETAIL W2-3.
UNLESS OTHERWISE NOTED FOR THIS DETAIL

VW-285
COLORS: LEGEND - BLACK
BACKGROUND - YELLOW

W2-1Mb
DIMENSIONS NOT SHOWN
FOR THIS DETAIL SHALL CONFORM
TO THE LATEST EDITION OF THE 2003 MUTCD
FOR SIGN DETAIL W2-1.
UNLESS OTHERWISE NOTED FOR THIS DETAIL

1.5" RADIUS, 0.5" BORDER, 0.5" INDENT
COLORS: LEGEND - BLACK
BACKGROUND - YELLOW
TEXT STYLE: "NEXT" C; "1" C; "1/2 MILE" C
W7-3a



W2-1Mb
DIMENSIONS NOT SHOWN
FOR THIS DETAIL SHALL CONFORM
TO THE LATEST EDITION OF THE 2003 MUTCD
FOR SIGN DETAIL W2-1.
UNLESS OTHERWISE NOTED FOR THIS DETAIL

SIGN	DIMENSIONS (INCHES)						
	A	B	C	D	E	F	G
STD.	30	1/2	3/4	1 1/2	1 1/4	5/4	10 5/16
SPECIAL	48	3/4	1 1/4	3	18	8 3/8	16 1/2

SIGN	DIMENSIONS (IN)		
	A	G	H
MIN & STD.	30	11	3
SPECIAL	36	13	4

1.5" RADIUS, 0.5" BORDER, 0.5" INDENT
COLORS: LEGEND - BLACK
BACKGROUND - YELLOW
TEXT STYLE: "NEXT" C; "1" C; "1/2 MILE" C
W7-3a

VW-619
COLORS: LEGEND - BLACK
BACKGROUND - YELLOW

SIGN	DIMENSIONS (INCHES)												
	A	B	C	D	E	F	G	H	J	K	L	M	
MIN & STD.	36	5/8	7/8	5C	3	6D	1	13 1/16	13 1/16	17 3/16	18 1/4	2 1/4	
EXPWY.	48	3/4	1 1/4	7D	3 1/2	7D	1	23 3/16	23 3/16	21 1/2	21 1/16	3	

1.5" RADIUS, 0.625" BORDER, 0.375" INDENT
COLORS: LEGEND - BLACK
BACKGROUND - WHITE
TEXT STYLE: "SPEED" E; "LIMIT" E; "40" E
R2-1

COLORS: LEGEND - BLACK
BACKGROUND - WHITE
VR-615

COLORS: LEGEND - RED
BACKGROUND - WHITE
VR - 020

1 SQUARE = 1"

PROJECT NAME: LUDLOW - WAITSFIELD
PROJECT NUMBER: STPG SIGN (27)
FILE NAME: 09B058_TS.DGN
PROJECT LEADER: N. AVERY
DESIGNED BY: N. AVERY
SIGN DETAILS 2
PLOT DATE: 16-SEP-2009
DRAWN BY: N. AVERY
CHECKED BY: A. GAMBLE
SHEET 6 OF 204