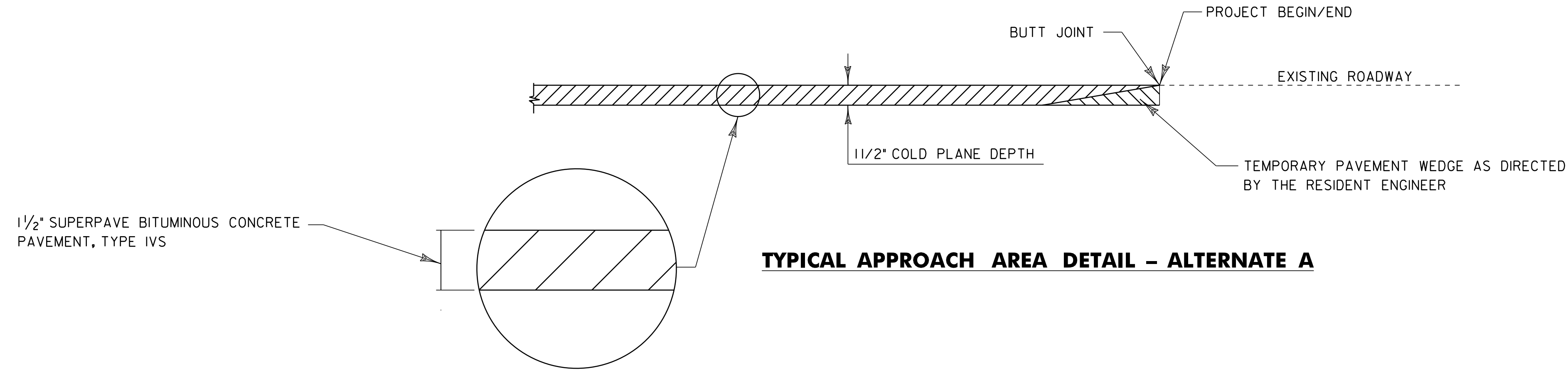
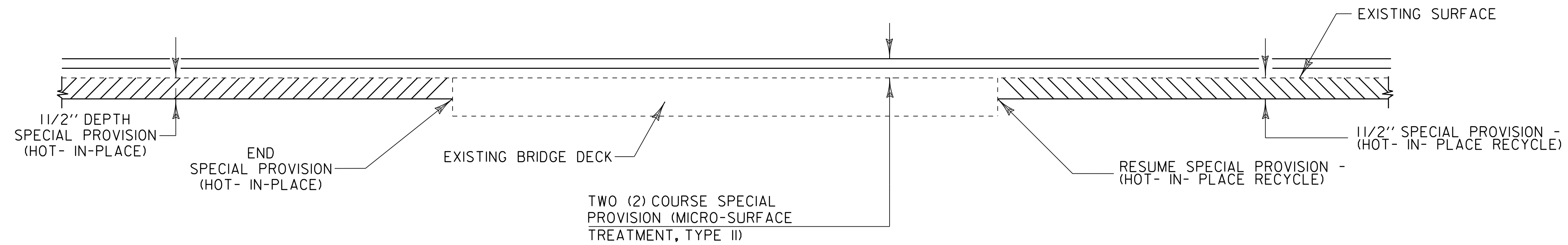


**BRIDGE COLD PLANE DETAIL - ALTERNATE A**

BRIDGE NUMBER 40 MM 1.647 (RYEGATE) (COLD PLANE 1 1/4", PAVE 1 1/4" TYPE IVS.)



**TYPICAL APPROACH AREA DETAIL - ALTERNATE A**



**BRIDGE OVERLAY DETAIL - ALTERNATE B**

BRIDGE 40 MM 1.634 END SPECIAL PROVISION - (HOT IN- PLACE RECYCLE)/MM 1.660 RESUME SPECIAL PROVISION - (HOT- IN- PLACE RECYCLE)

**TRANSITION  
DETAILS  
SHEET**

PROJECT NAME: RYEGATE - NEWBURY  
PROJECT NUMBER: IM SURF (17)

FILE NAME: 09B042\p09B042.dgn  
PROJECT LEADER: K. MARSHIA  
DESIGNED BY: WILDER  
IPARM FILE NAME: p09B042\_04.i

PLOT DATE: 01-AUG-2011 15:13  
DRAWN BY: WILDER  
CHECKED BY: PVMT MGMT  
SHEET 4 OF 10