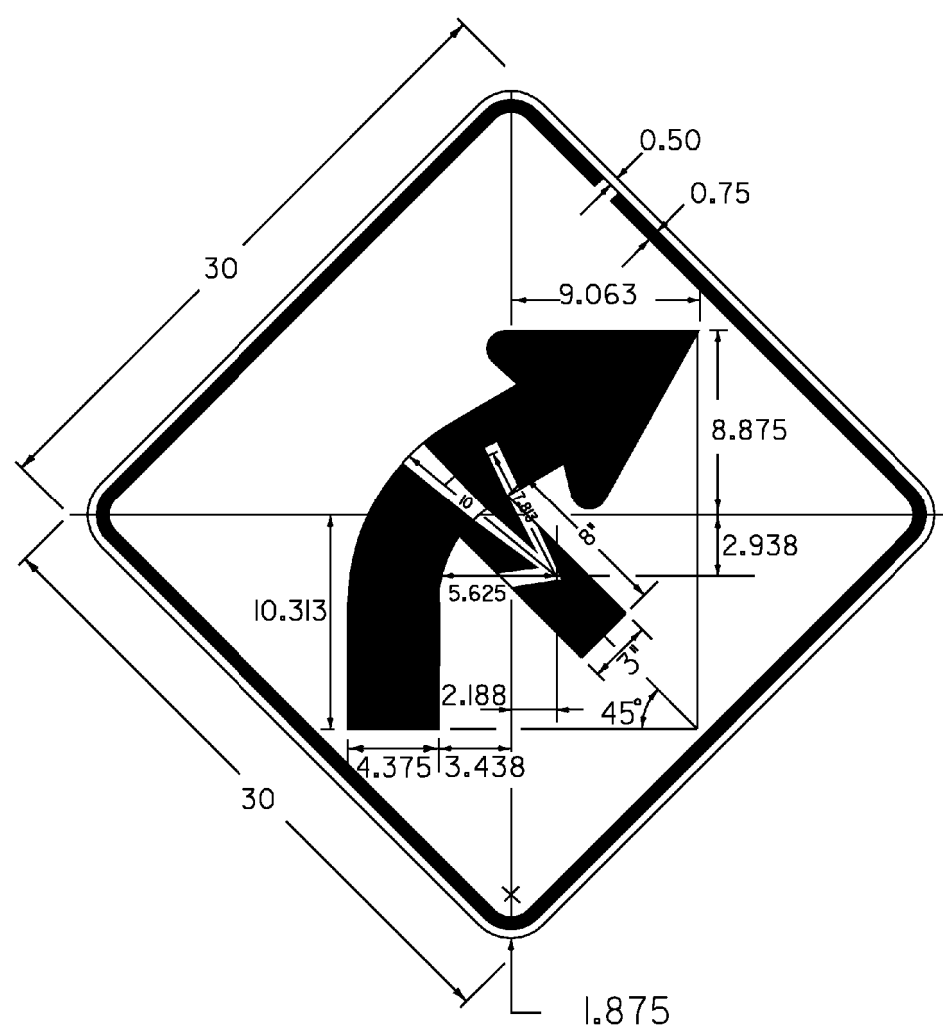


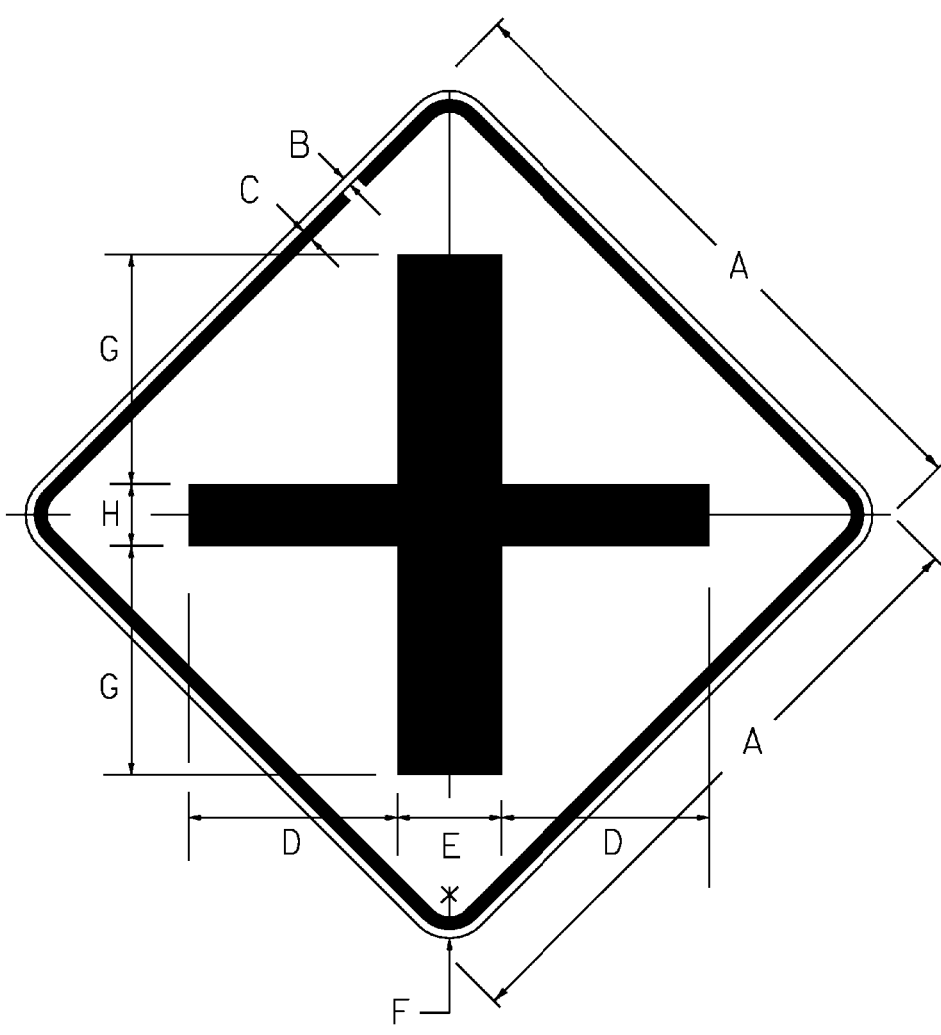
WI-2Ma R

COLORS:
TEXT & BORDER = BLACK
BACKGROUND = YELLOW



WI-2Mb R

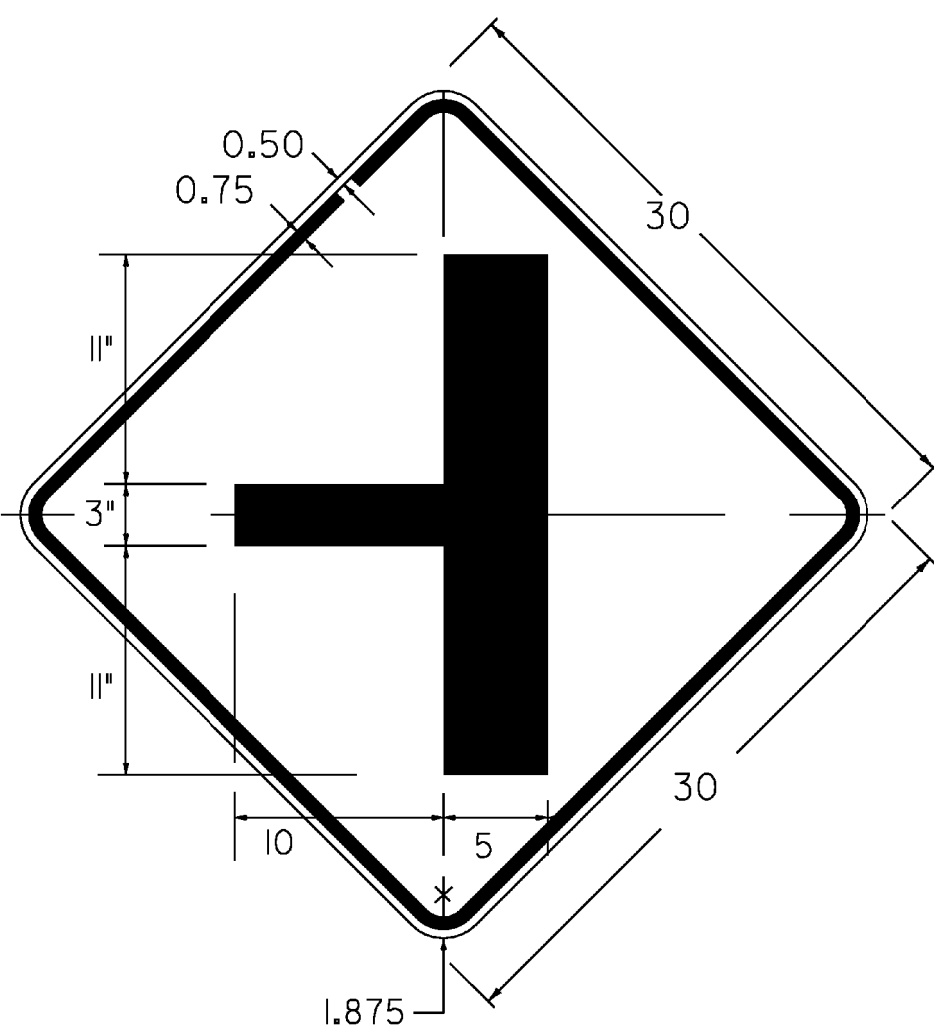
COLORS:
TEXT & BORDER = BLACK
BACKGROUND = YELLOW



W2-1Mb

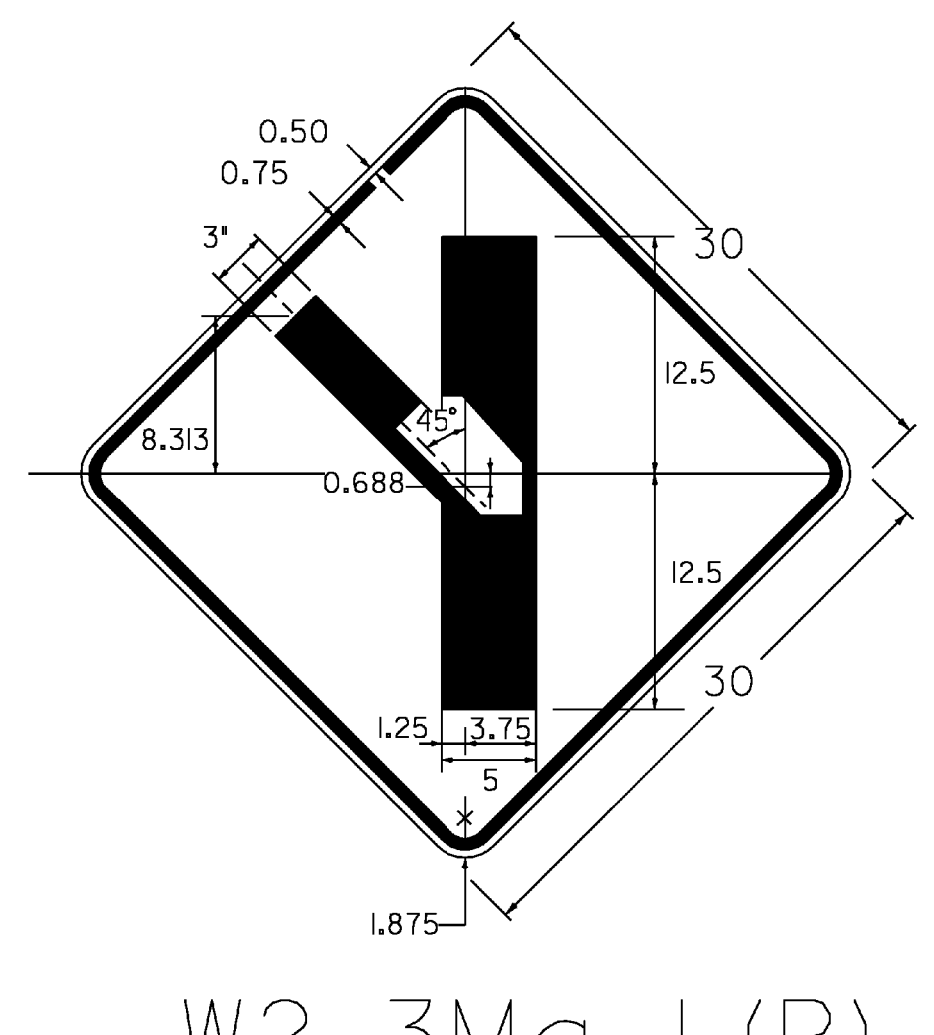
COLORS:
TEXT & BORDER = BLACK
BACKGROUND = YELLOW

SIGN	DIMENSIONS (INCHES)							
	A	B	C	D	E	F	G	H
MIN & STD.	30	1/2	3/4	10	5	1 1/8	11	3
SPECIAL	36	5/8	7/8	12	6	2 1/4	13	4



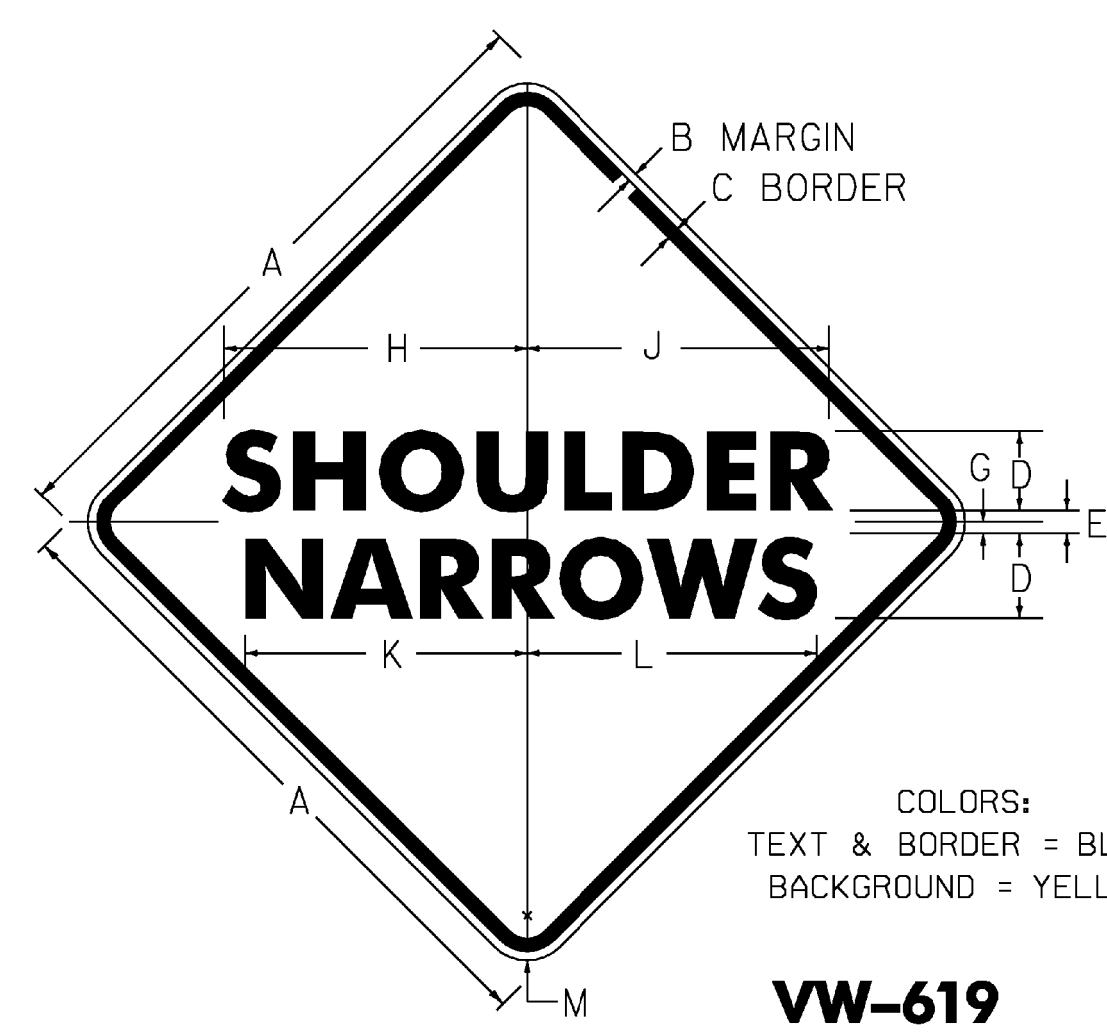
W2-2Ma L (R)

COLORS:
TEXT & BORDER = BLACK
BACKGROUND = YELLOW



W2-3Ma L (R)

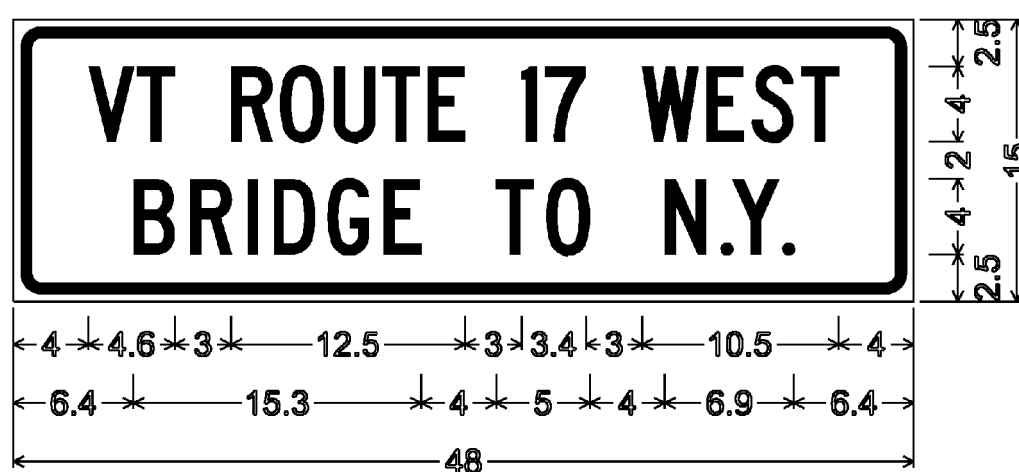
COLORS:
TEXT & BORDER = BLACK
BACKGROUND = YELLOW



COLORS:
TEXT & BORDER = BLACK
BACKGROUND = YELLOW

VW-619

SIGN	DIMENSIONS (INCHES)											
	A	B	C	D	E	F	G	H	J	K	L	M
MIN & STD.	36	5/8	7/8	5C	3	6D	1	13 1/16	13 1/16	17 5/8	18 1/4	2 1/4
EXPWY.	48	3/4	1 1/4	7D	3 1/2	7D	1	23 9/16	23 9/16	21 1/2	21 9/16	3



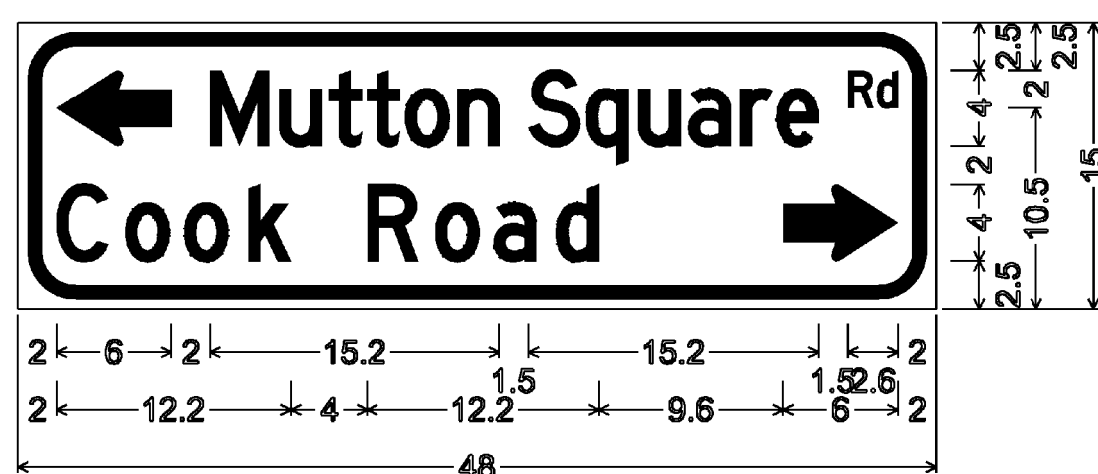
1.5" Radius, 0.6" Border, 0.4" Indent, Black on Yellow;
"VT ROUTE 17 WEST" C specified length;
"BRIDGE TO N.Y." C;

VW-730p



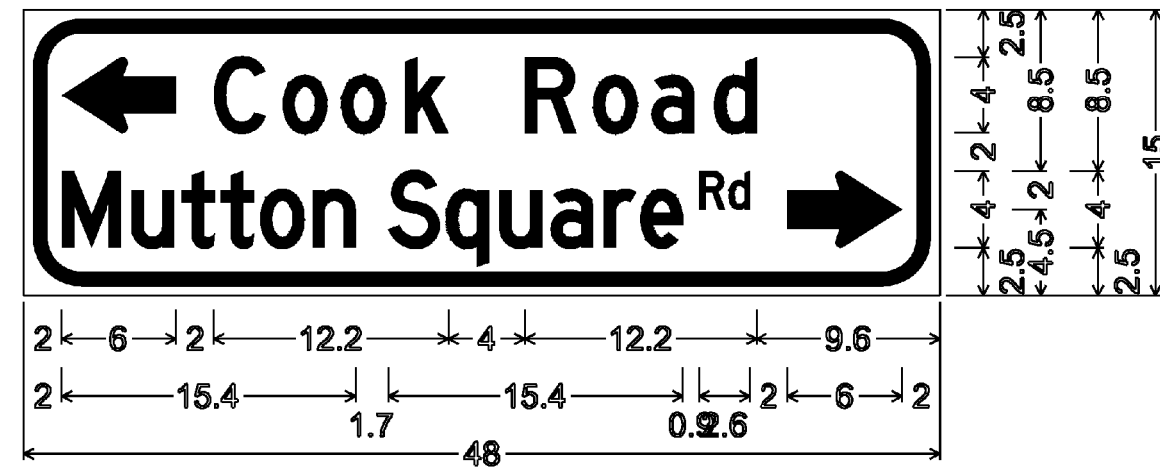
1.5" Radius, 0.4" Border, 0.4" Indent, Black on Yellow;
"N. Cream Hill Rd" B specified length;

W16-8



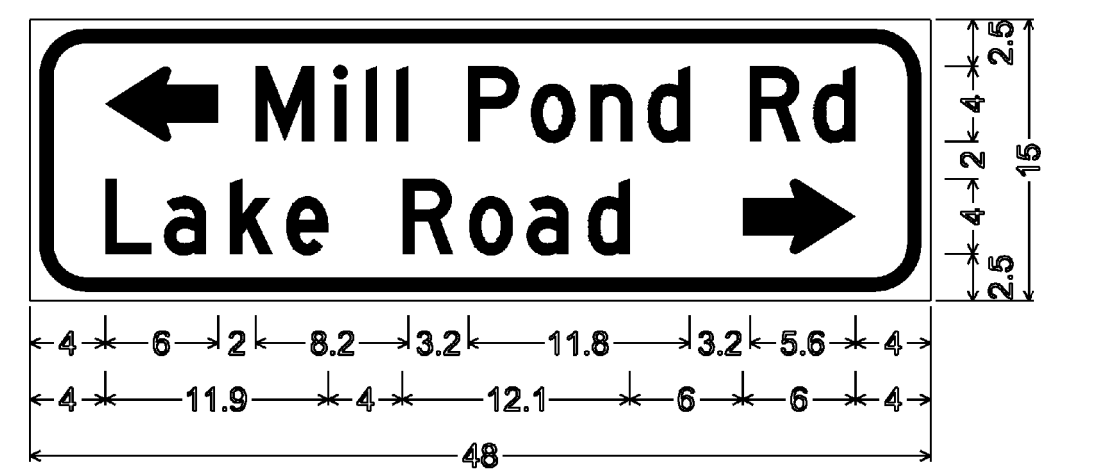
3.0" Radius, 0.8" Border, 0.5" Indent, Black on Yellow;
Standard Arrow Custom 6.0" X 4.0" 180°;
"Mutton Square Rd" D specified length; "Cook Road" D;
Standard Arrow Custom 6.0" X 4.0" 0°;

W16-8a



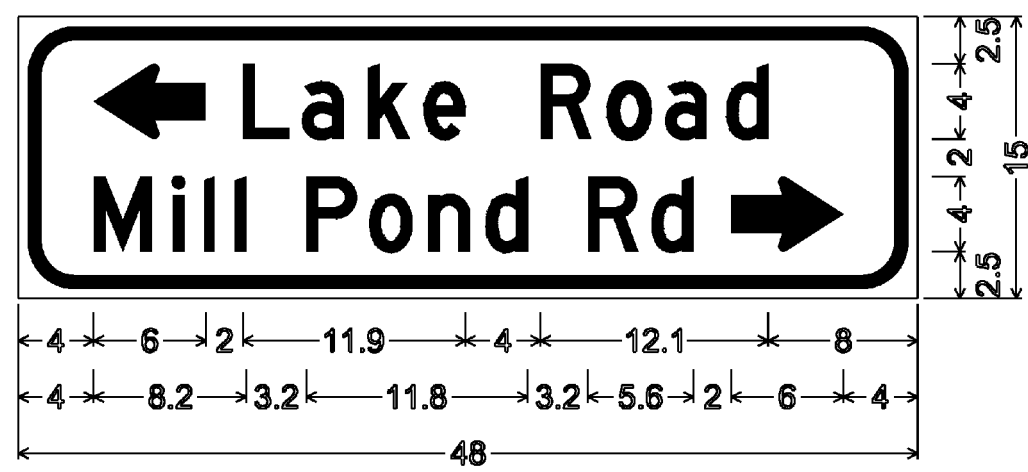
3.0" Radius, 0.8" Border, 0.5" Indent, Black on Yellow;
Standard Arrow Custom 6.0" X 4.0" 180°; "Cook Road" D;
"Mutton Square Rd" D specified length;
Standard Arrow Custom 6.0" X 4.0" 0°;

W16-8a



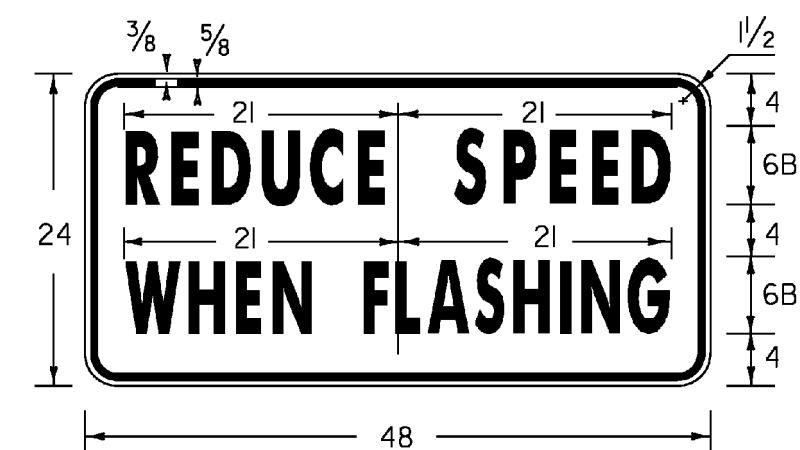
3.0" Radius, 0.8" Border, 0.5" Indent, Black on Yellow;
Standard Arrow Custom 6.0" X 4.0" 180°;
"Mill Pond Rd" D specified length; "Lake Road" D;
Standard Arrow Custom 6.0" X 4.0" 0°;

W16-8a



3.0" Radius, 0.8" Border, 0.5" Indent, Black on Yellow;
Standard Arrow Custom 6.0" X 4.0" 180°; "Lake Road" D;
"Mill Pond Rd" D specified length;
Standard Arrow Custom 6.0" X 4.0" 0°;

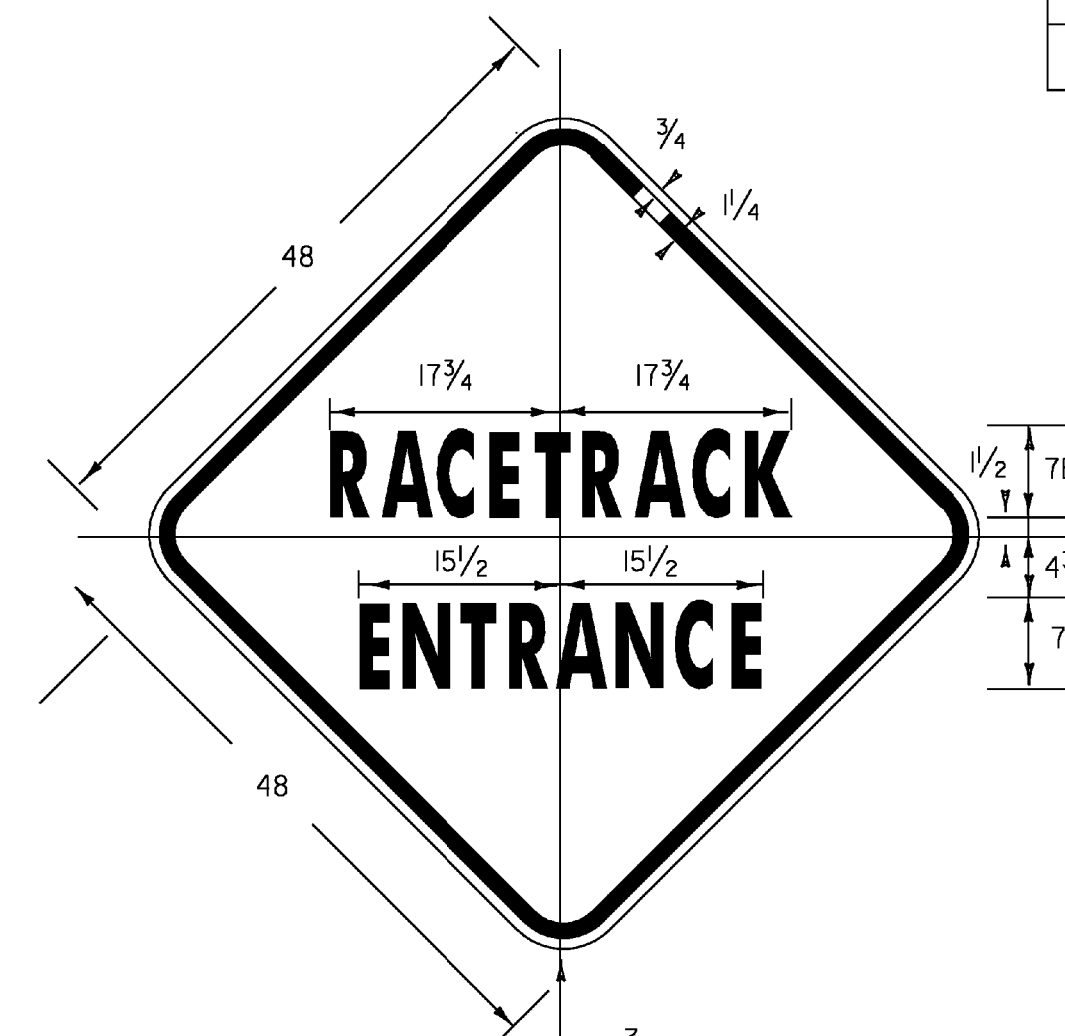
W16-8a



* REDUCE SPACING BY 4%.

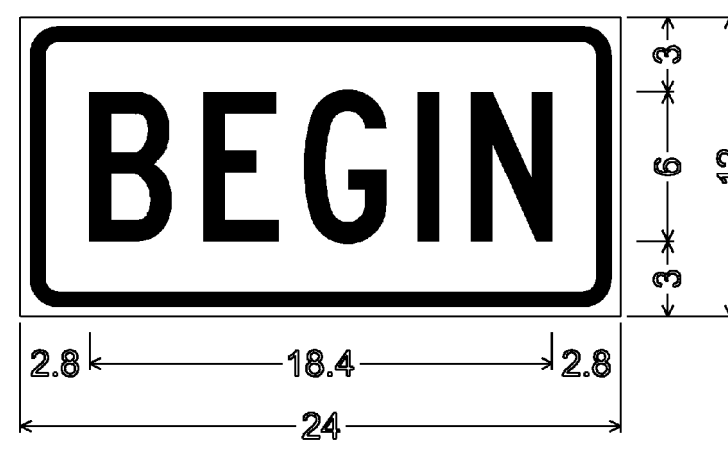
VW-440

COLORS:
TEXT & BORDER = BLACK
BACKGROUND = YELLOW



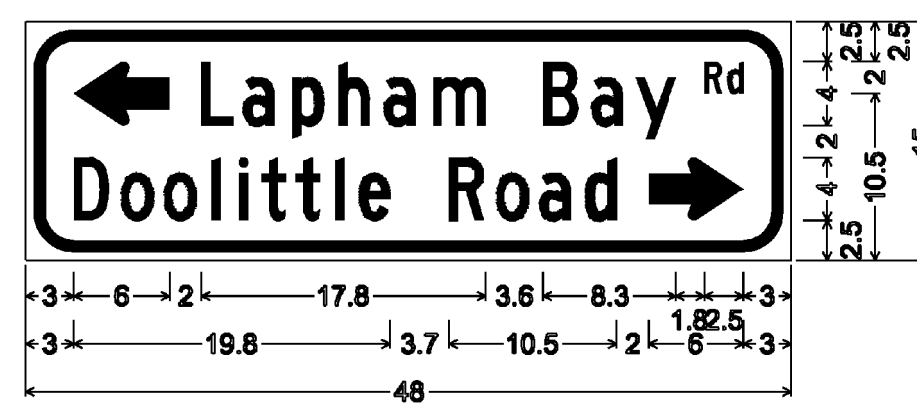
VW-437

COLORS:
TEXT & BORDER = BLACK
BACKGROUND = YELLOW



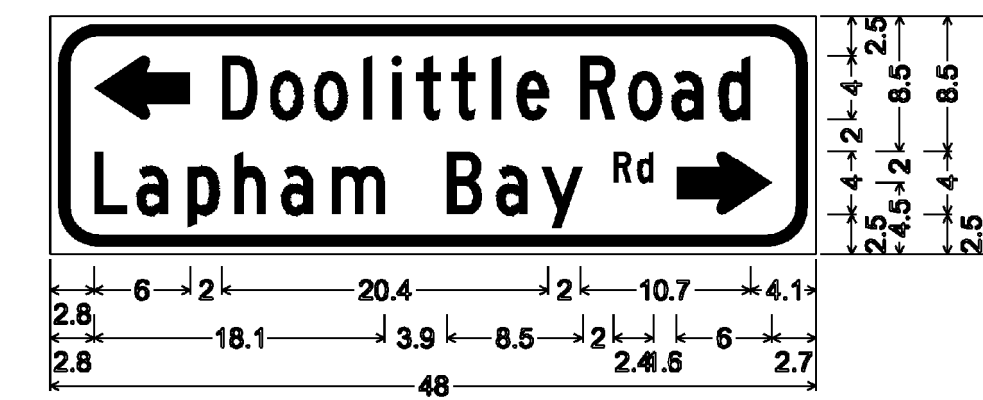
1.5" Radius, 0.6" Border, 0.4" Indent, Red on White;
"BEGIN" C;

VR-644p



3.0" Radius, 0.8" Border, 0.5" Indent, Black on Yellow;
Standard Arrow Custom 6.0" X 4.0" 180°;
"Lapham Bay Rd" C specified length;
"Doolittle Road" C specified length;
Standard Arrow Custom 6.0" X 4.0" 0°;

W16-8a



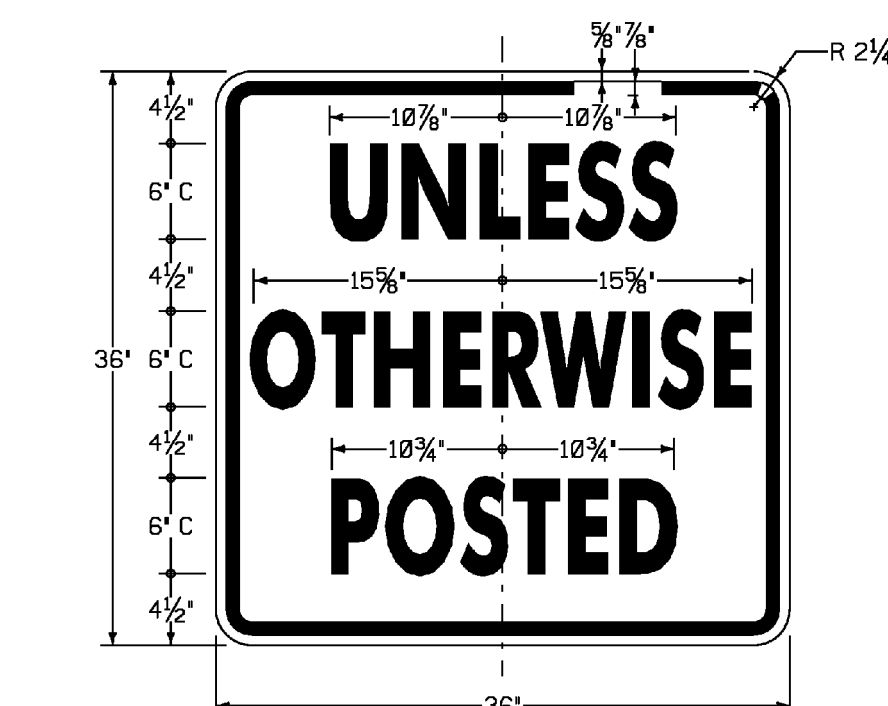
3.0" Radius, 0.8" Border, 0.5" Indent, Black on Yellow;
Standard Arrow Custom 6.0" X 4.0" 180°;
"Doolittle Road" C; "Lapham Bay Rd" C specified length;
Standard Arrow Custom 6.0" X 4.0" 0°;

W16-8a



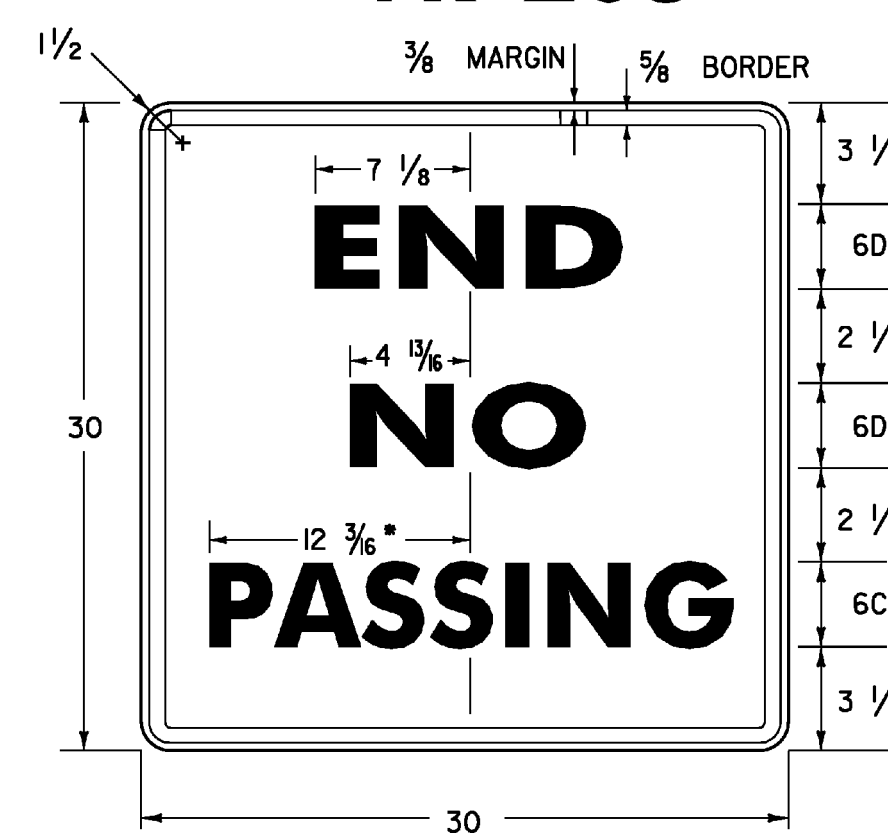
R2-1

R2-1 STD;
1.5" Radius, 0.6" Border, 0.4" Indent, Black on White;
"SPEED" E; "LIMIT" E; "40" E;



COLORS:
TEXT & BORDER = BLACK
BACKGROUND = WHITE

VR-208



VR-417

SIGN NOTES

1. ALL SIGNS SHALL BE IN ACCORDANCE WITH THE MANUAL ON UNIFORM TRAFFIC CONTROL DEVICES (MUTCD) AND THE "STANDARD HIGHWAY SIGNS" BOOK (SHS) PUBLISHED BY THE FEDERAL HIGHWAY ADMINISTRATION (FHWA). UNLESS OTHERWISE NOTED IN THE SIGN SUMMARY SHEETS.

2. ALL COLORS SHALL CONFORM WITH THE STANDARD COLORS ADOPTED BY THE AMERICAN ASSOCIATION OF STATE HIGHWAY AND TRANSPORTATION OFFICIALS (AASHTO) AND APPROVED BY FHWA. UNLESS OTHERWISE NOTED IN THE SIGN SUMMARY SHEETS.

PROJECT NAME: FAIR HAVEN - PANTON

PROJECT NUMBER: STPG SIGN (24)

FILE NAME: 09B030_TS.DGN
PROJECT LEADER: N. AVERY
DESIGNED BY: N. AVERY
SIGN DETAILS 2

PLOT DATE: 30-APR-2009
DRAWN BY: N. AVERY
CHECKED BY: A. GAMBLE
SHEET 6 OF 17