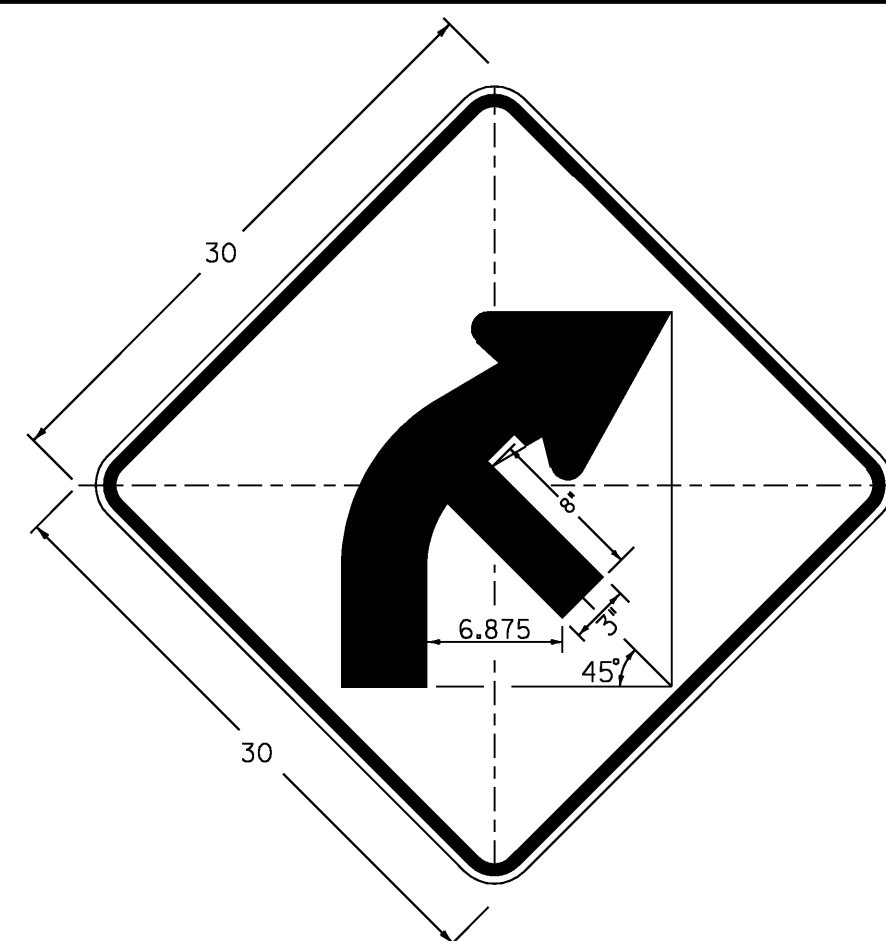


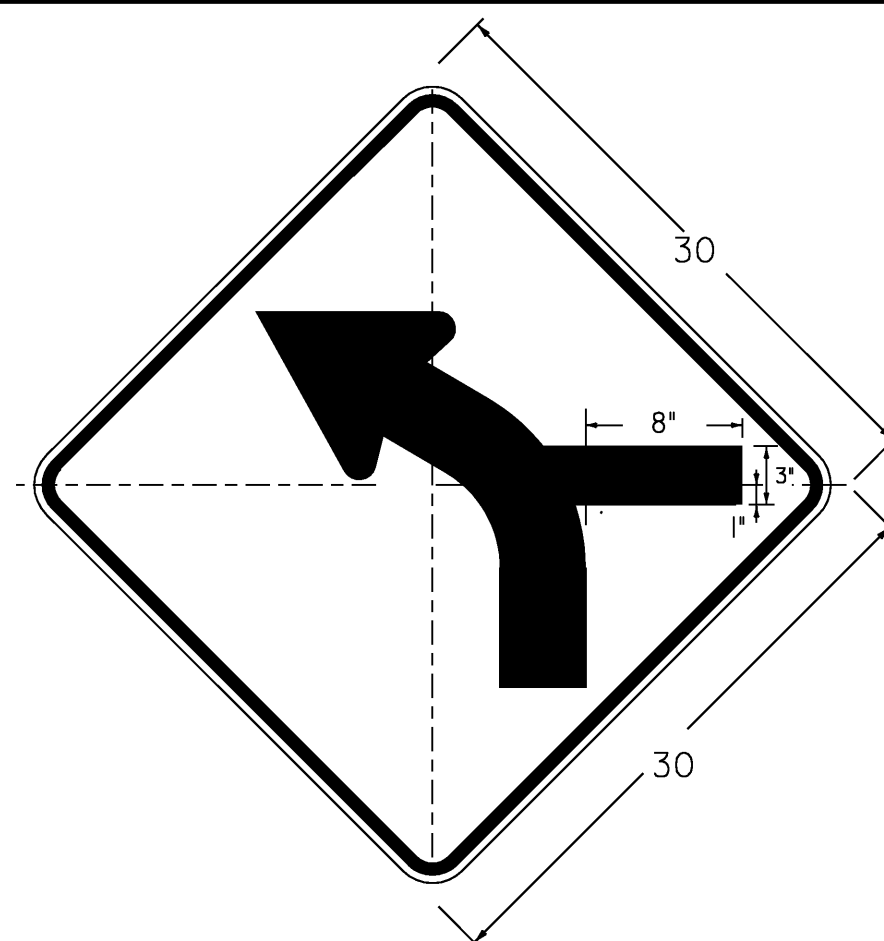
W1-2Ma R(L)

DIMENSIONS NOT SHOWN
FOR THIS DETAIL SHALL CONFORM
TO THE LATEST EDITION OF THE 2003 MUTCD
FOR SIGN DETAIL W1-2.
UNLESS OTHERWISE NOTED FOR THIS DETAIL



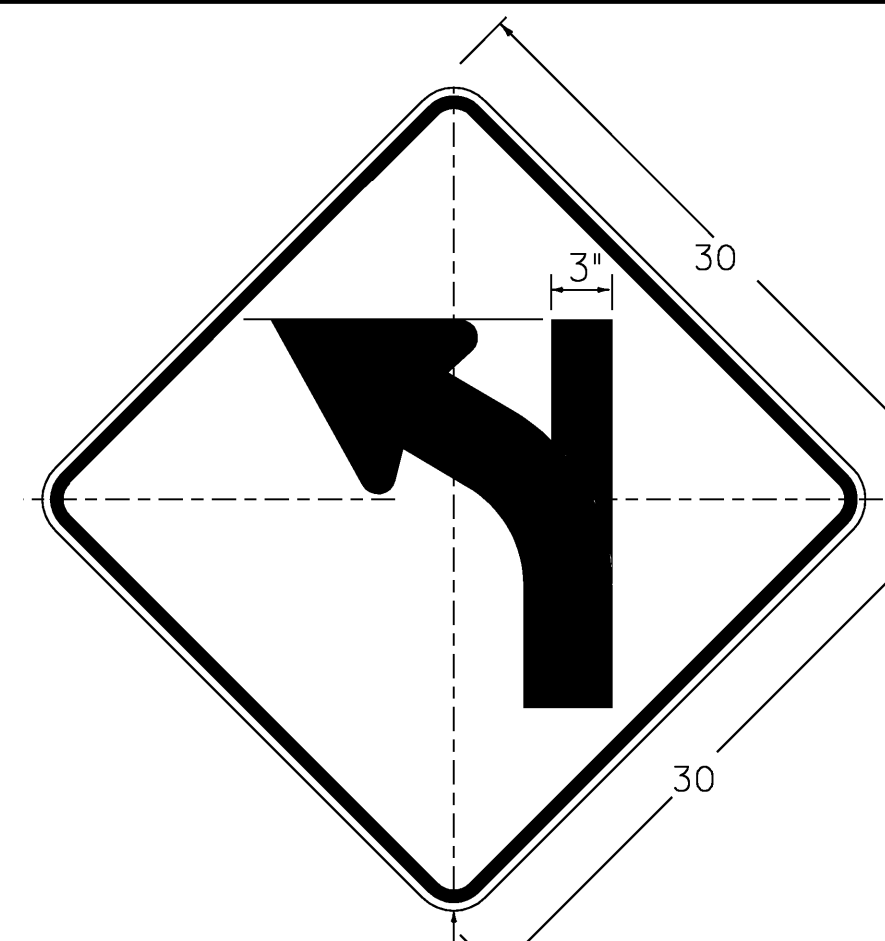
W1-2Mb R(L)

DIMENSIONS NOT SHOWN
FOR THIS DETAIL SHALL CONFORM
TO THE LATEST EDITION OF THE 2003 MUTCD
FOR SIGN DETAIL W1-2.
UNLESS OTHERWISE NOTED FOR THIS DETAIL



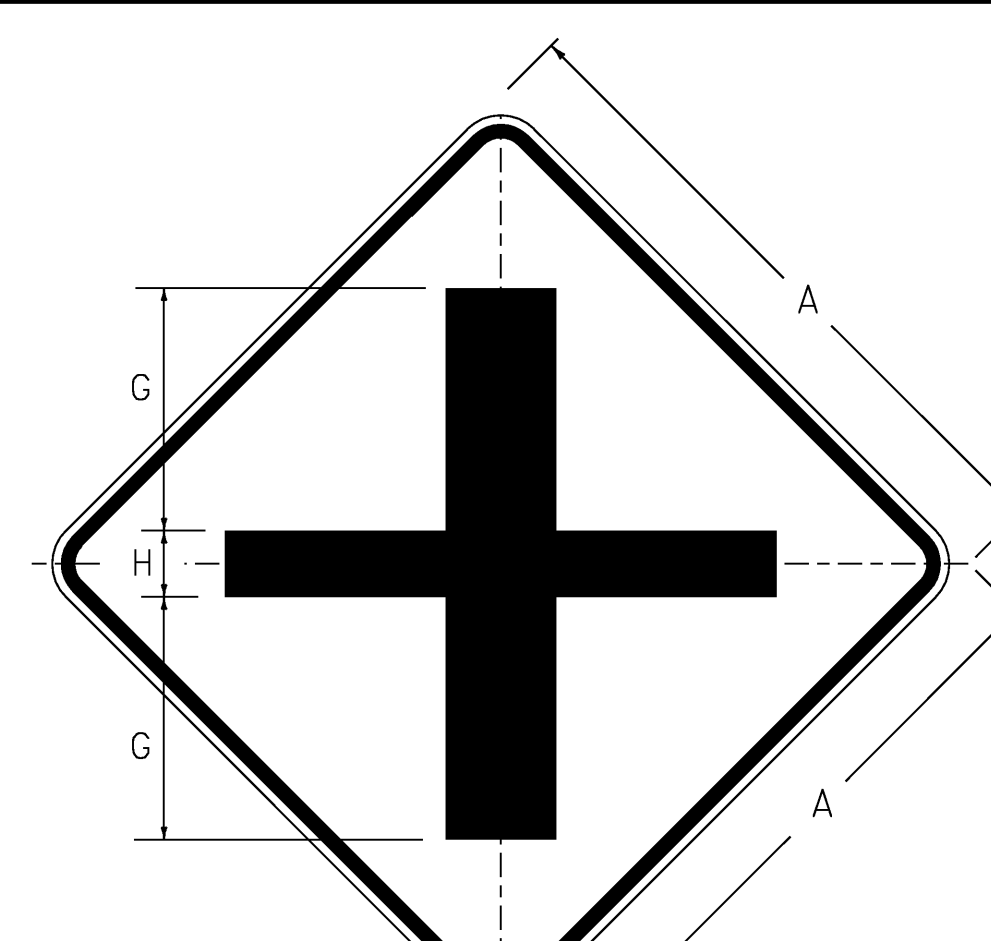
W1-2Mc L

DIMENSIONS NOT SHOWN
FOR THIS DETAIL SHALL CONFORM
TO THE LATEST EDITION OF THE 2003 MUTCD
FOR SIGN DETAIL W1-2.
UNLESS OTHERWISE NOTED FOR THIS DETAIL



W1-2Mg L

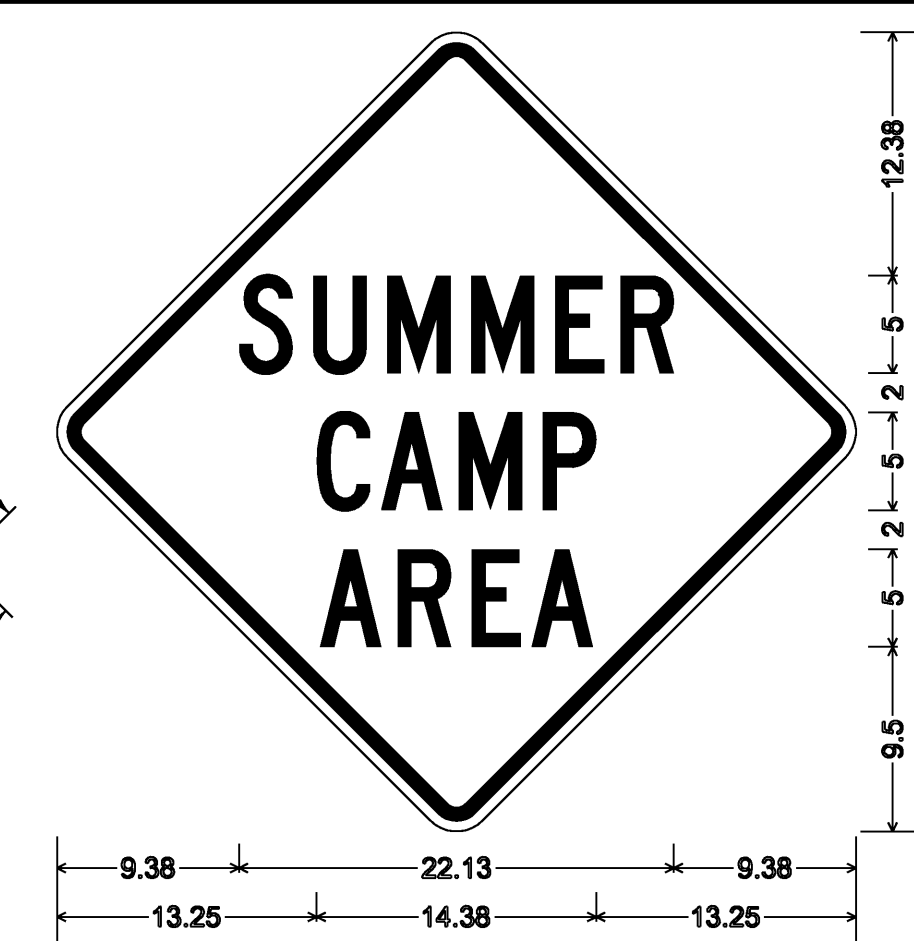
DIMENSIONS NOT SHOWN
FOR THIS DETAIL SHALL CONFORM
TO THE LATEST EDITION OF THE 2003 MUTCD
FOR SIGN DETAIL W1-2.
UNLESS OTHERWISE NOTED FOR THIS DETAIL



W2-1Mb

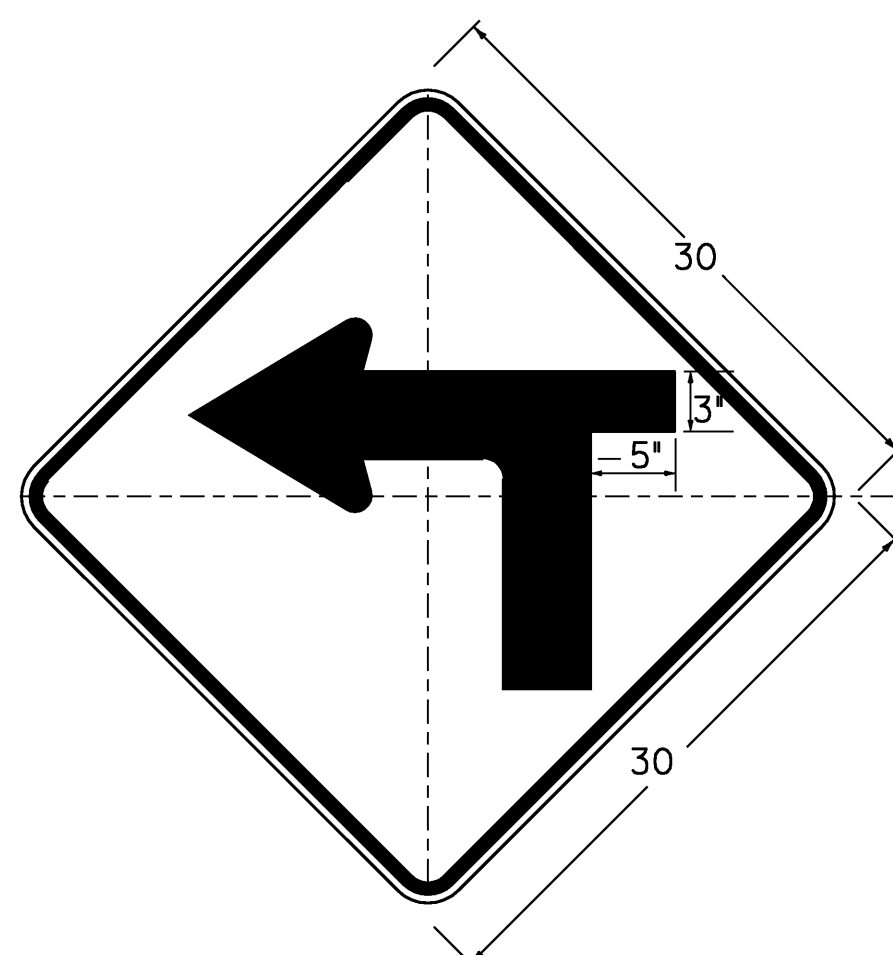
DIMENSIONS NOT SHOWN
FOR THIS DETAIL SHALL CONFORM
TO THE LATEST EDITION OF THE 2003 MUTCD
FOR SIGN DETAIL W2-1.
UNLESS OTHERWISE NOTED FOR THIS DETAIL

SIGN	DIMENSIONS (IN)		
	A	G	H
MIN & STD.	30	11	3
SPECIAL	36	13	4



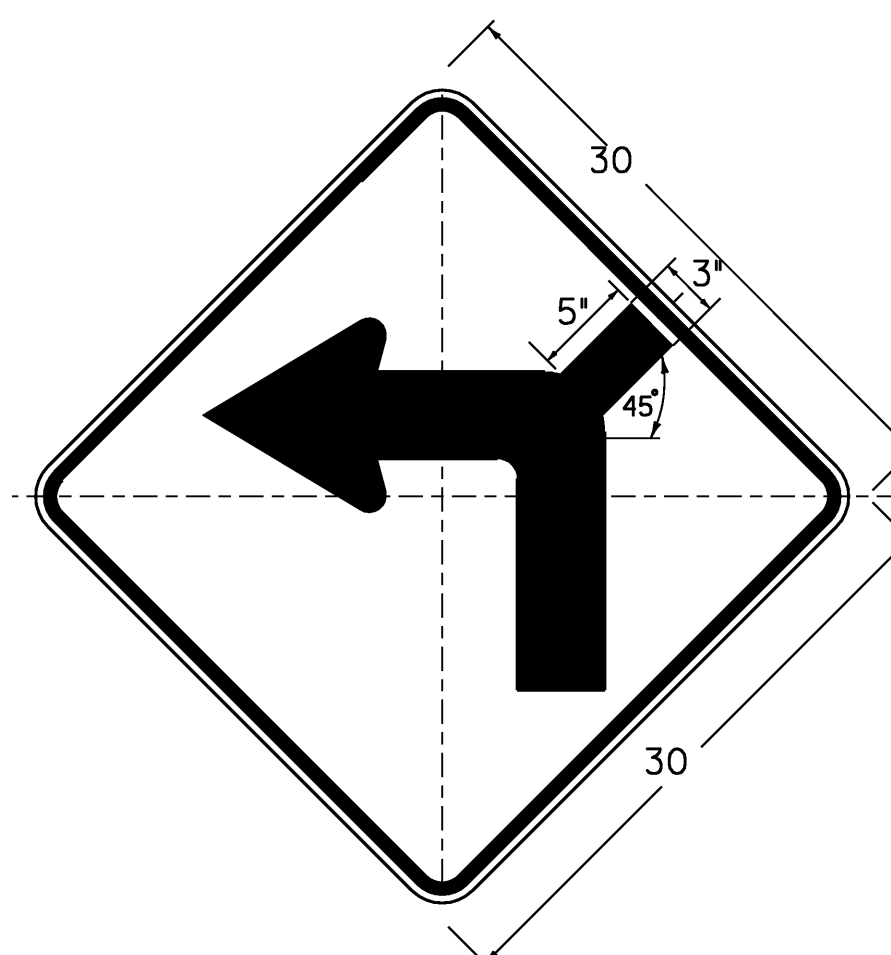
VW-219

1.875" RADIUS, 0.75" BORDER, 0.5" INDENT
COLORS: LEGEND - BLACK
BACKGROUND - YELLOW
TEXT STYLE: "SUMMER" C; "CAMP" C; "AHEAD" C



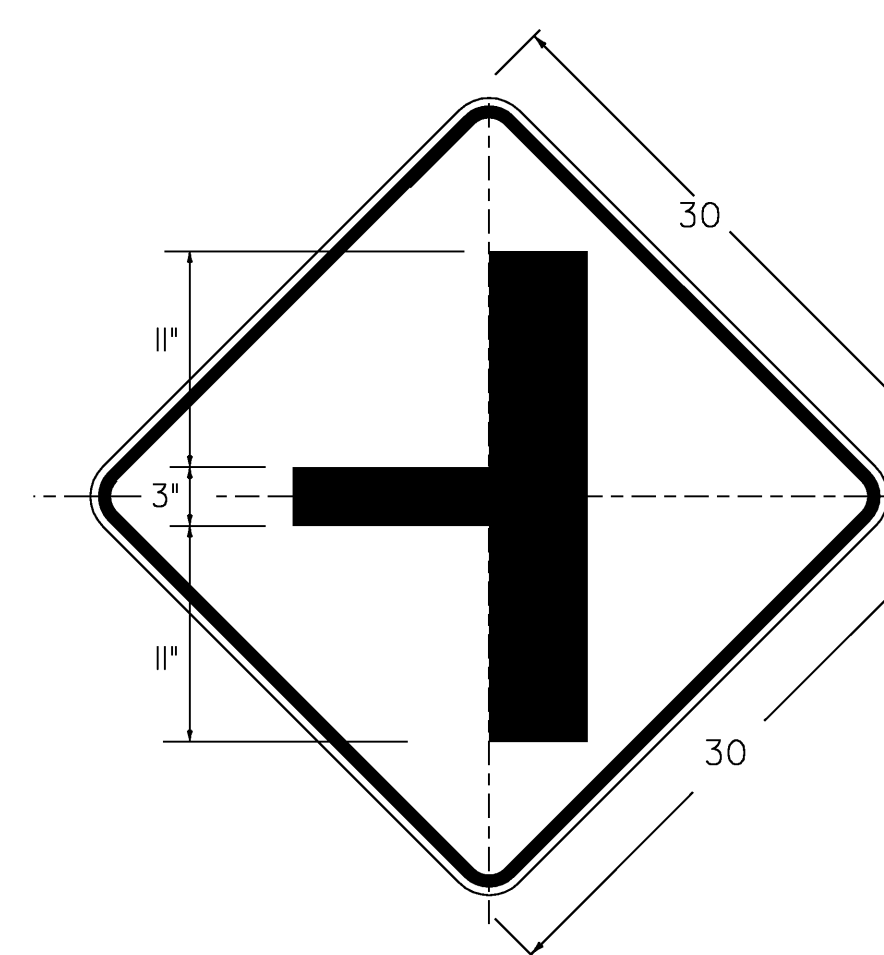
W1-1Ma L(R)

DIMENSIONS NOT SHOWN
FOR THIS DETAIL SHALL CONFORM
TO THE LATEST EDITION OF THE 2003 MUTCD
FOR SIGN DETAIL W1-1.
UNLESS OTHERWISE NOTED FOR THIS DETAIL



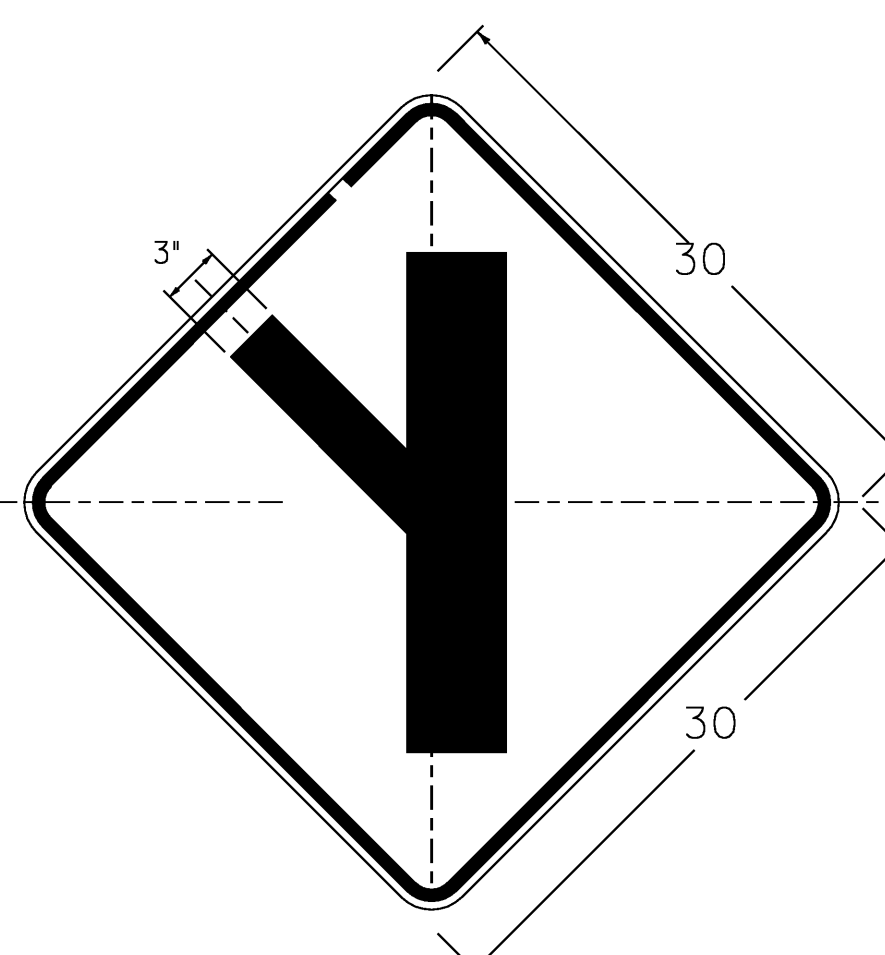
W1-1Md L(R)

DIMENSIONS NOT SHOWN
FOR THIS DETAIL SHALL CONFORM
TO THE LATEST EDITION OF THE 2003 MUTCD
FOR SIGN DETAIL W1-1.
UNLESS OTHERWISE NOTED FOR THIS DETAIL



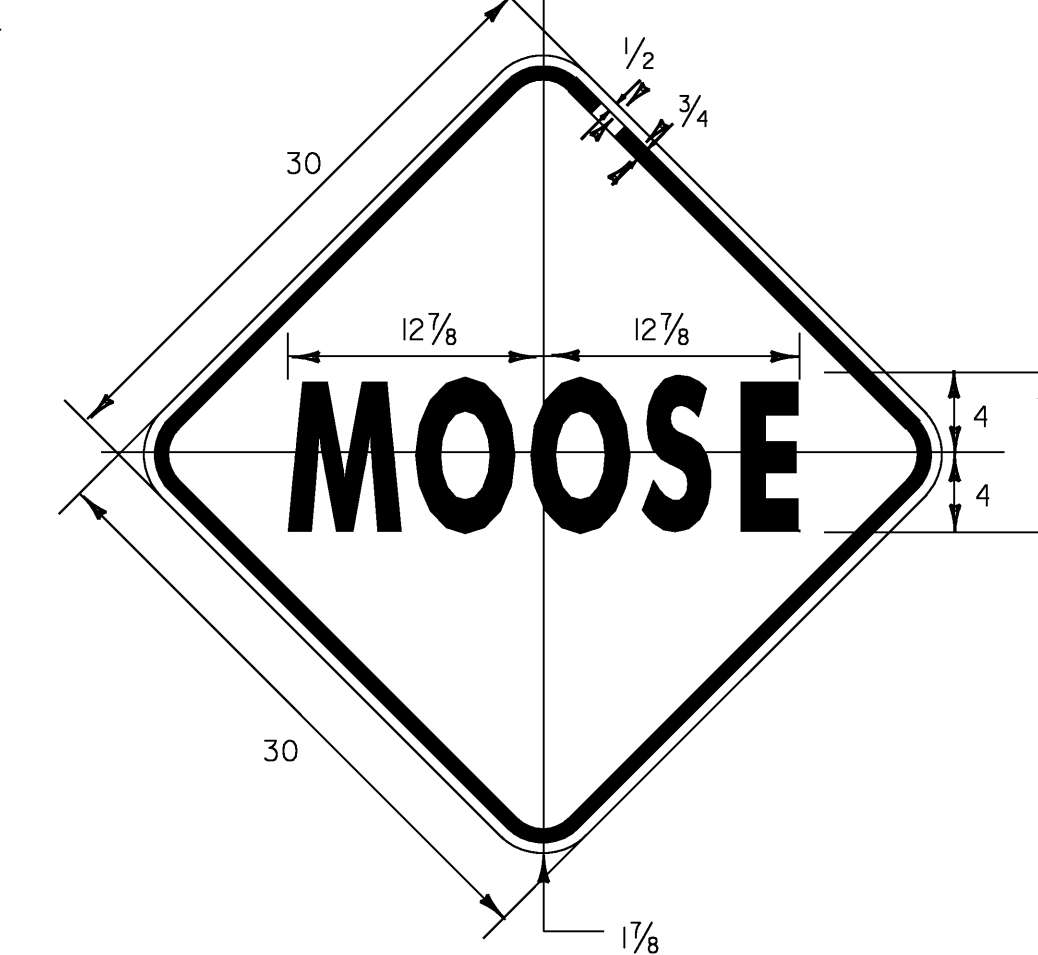
W2-2Ma L(R)

DIMENSIONS NOT SHOWN
FOR THIS DETAIL SHALL CONFORM
TO THE LATEST EDITION OF THE 2003 MUTCD
FOR SIGN DETAIL W2-2.
UNLESS OTHERWISE NOTED FOR THIS DETAIL



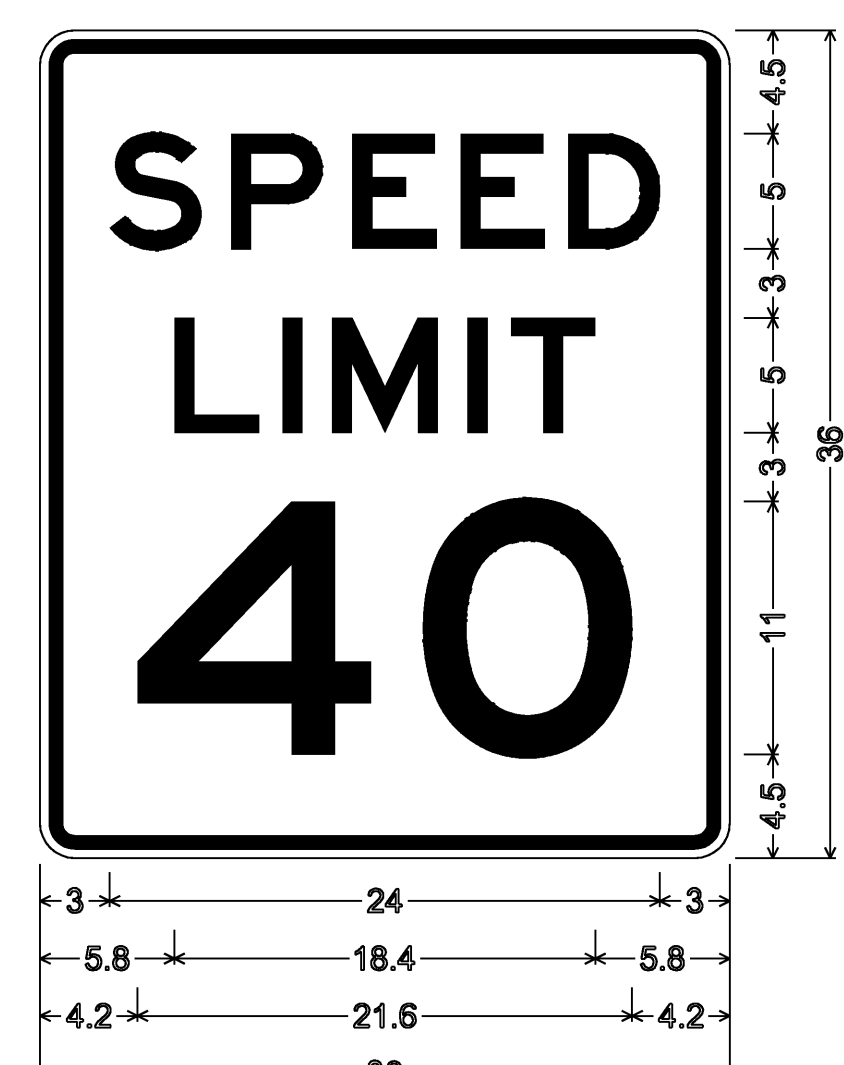
W2-3Ma L(R)

DIMENSIONS NOT SHOWN
FOR THIS DETAIL SHALL CONFORM
TO THE LATEST EDITION OF THE 2003 MUTCD
FOR SIGN DETAIL W2-3.
UNLESS OTHERWISE NOTED FOR THIS DETAIL



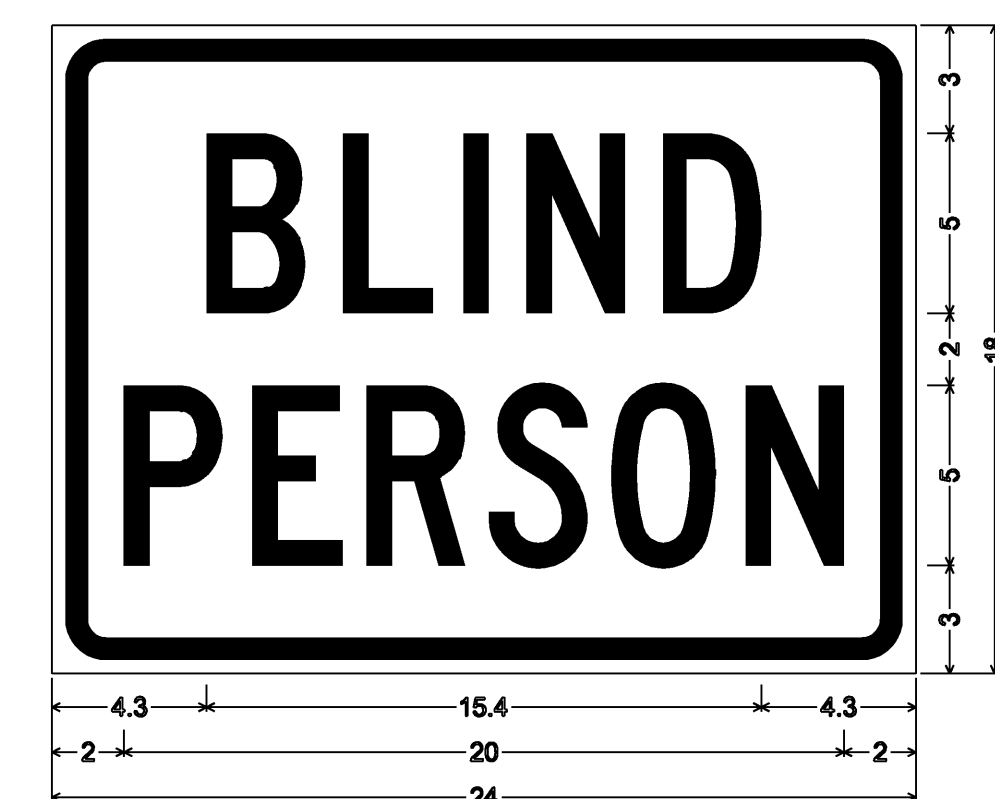
VW-001

COLORS: LEGEND - BLACK
BACKGROUND - YELLOW



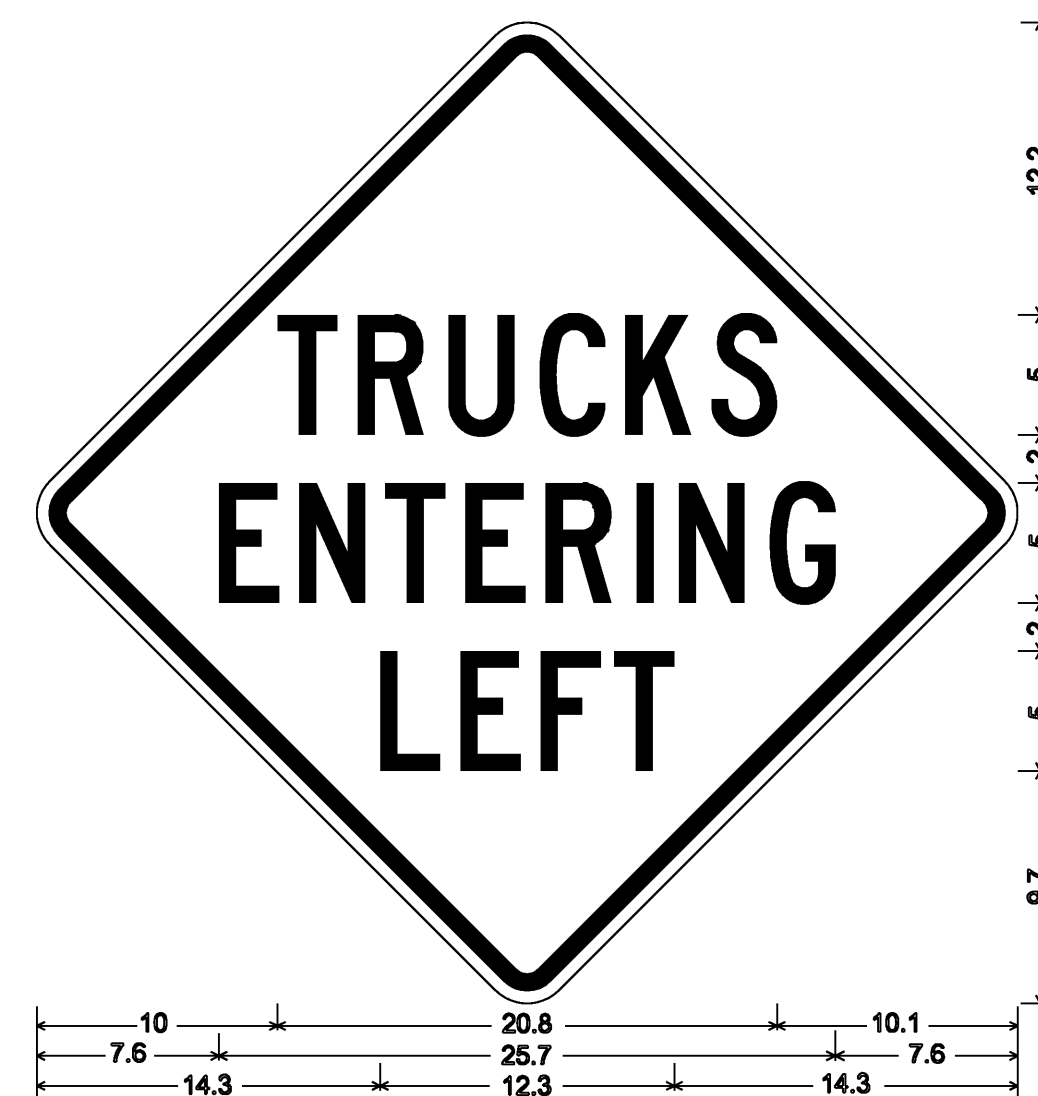
R2-1

1.5" RADIUS, 0.625" BORDER, 0.375" INDENT
COLORS: LEGEND - BLACK
BACKGROUND - WHITE
TEXT STYLE: "SPEED" E; "LIMIT" E; "40" E



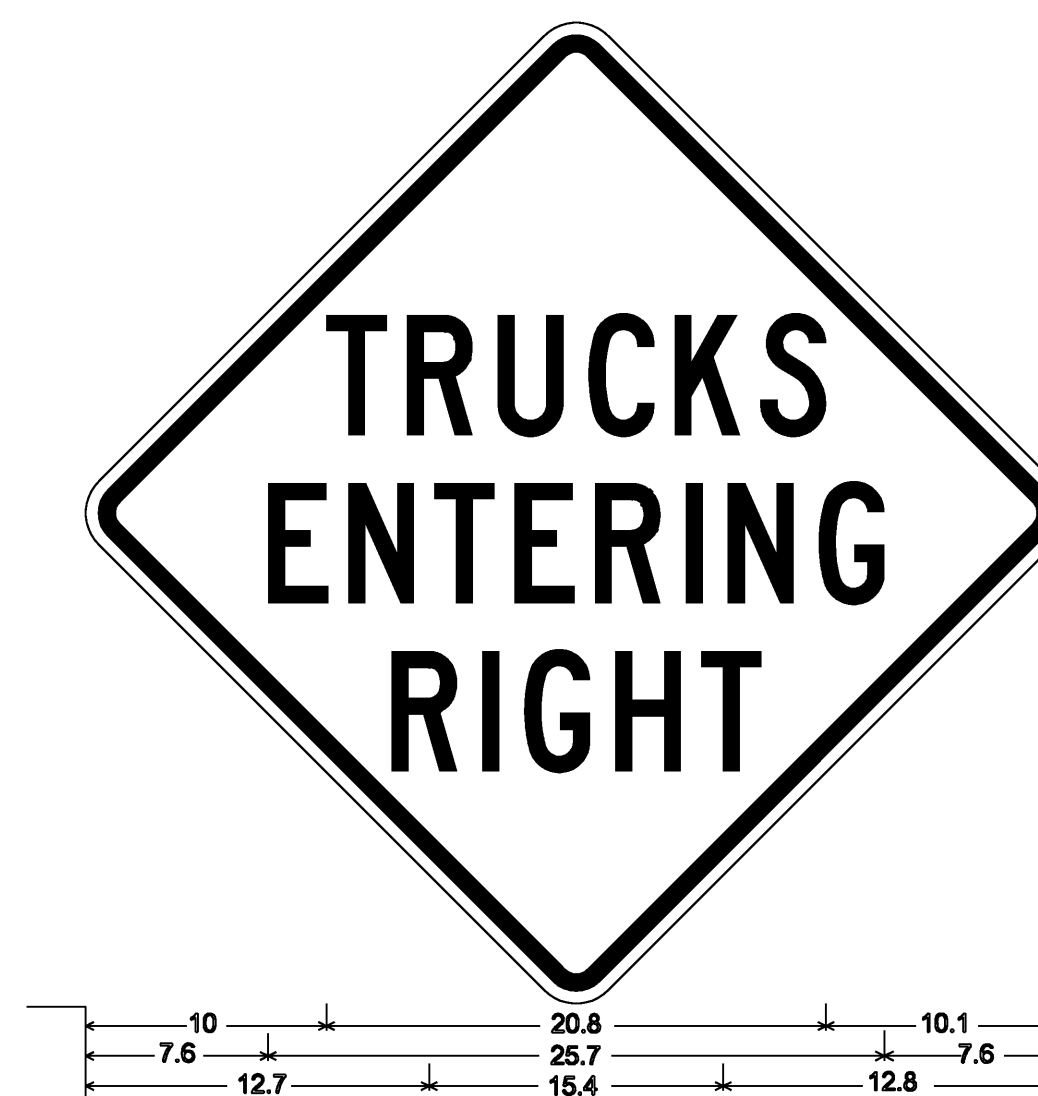
W11-2PB

1.5" RADIUS, 0.625" BORDER, 0.375" INDENT
COLORS: LEGEND - BLACK
BACKGROUND - YELLOW
TEXT STYLE: "BLIND" C; "PERSON" C SPECIFIED LENGTH



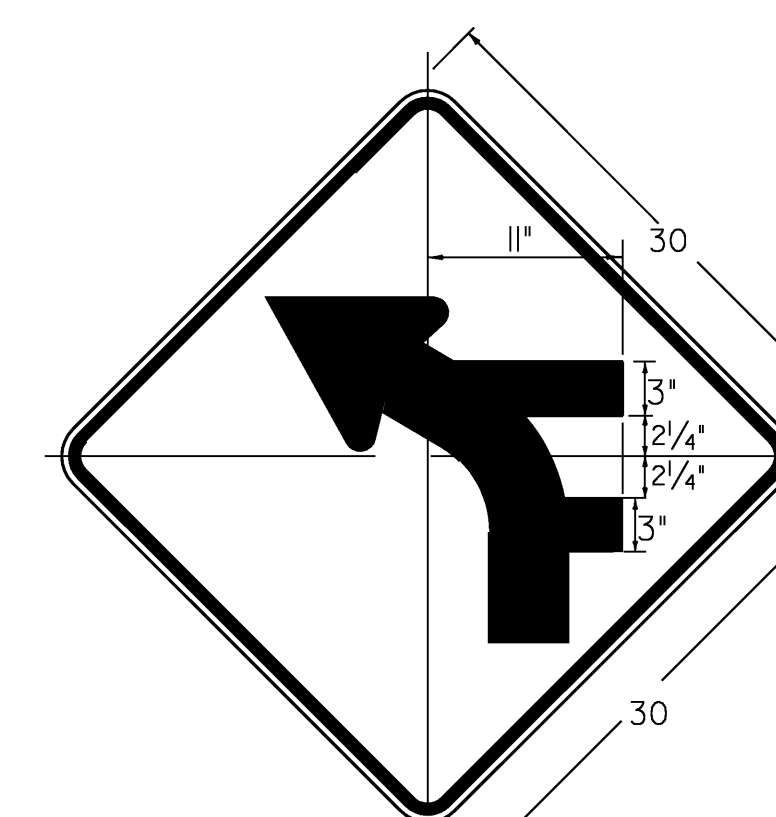
VW-084

30" SQUARE SIGN FACE
1.875" RADIUS, 0.75" BORDER, 0.50" INDENT
COLORS: LEGEND - BLACK
BACKGROUND - YELLOW
TEXT STYLE: C



VW-081

30" SQUARE SIGN FACE
1.875" RADIUS, 0.75" BORDER, 0.50" INDENT
COLORS: LEGEND - BLACK
BACKGROUND - YELLOW
TEXT STYLE: C



W1-2Me L

DIMENSIONS NOT SHOWN
FOR THIS DETAIL SHALL CONFORM
TO THE LATEST EDITION OF THE 2003 MUTCD
FOR SIGN DETAIL W1-2.
UNLESS OTHERWISE NOTED FOR THIS DETAIL

PROJECT NAME: DERBY - BLOOMFIELD	PLOT DATE: 10-JUL-2009
PROJECT NUMBER: STPG SIGN (22)	DRAWN BY: N. AVERY
FILE NAME: 09B026_TS.DGN	CHECKED BY: A. GAMBLE
PROJECT LEADER: N. AVERY	SHEET 6 OF 79
DESIGNED BY: N. AVERY	
SIGN DESIGNS 2	