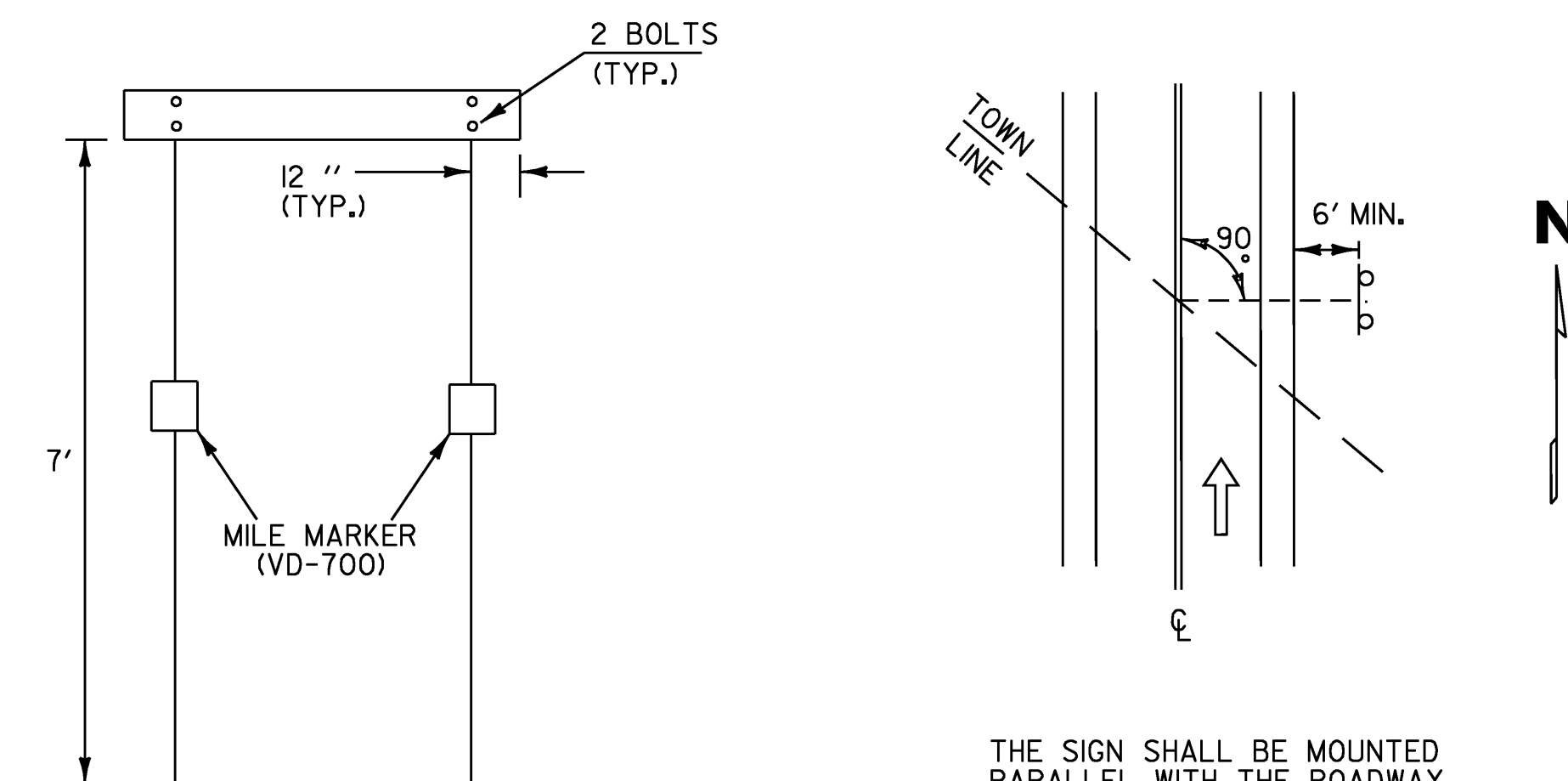


TEXT	SERIES	DIMENSIONS
ADDISON	C	28.27
ALBANY	C	25.88
ALBURGH	C	29.99
ANDOVER	C	30.05
ARLINGTON	B	29.35
ATHENS	C	24.49
AVERILL	C	26.44
BAKERSFIELD	B	32.50
BARNARD	C	30.49
BARNET	C	24.83
BARRE CITY	B	32.50
BARRE TOWN	B	32.50
BARTON	C	25.38
BELVIDERE	C	32.50
BENNINGTON	B	32.50
BENSON	C	25.41
BERKSHIRE	B	29.04
BERLIN	C	22.50
BETHEL	C	23.80
BLOOMFIELD	B	32.13
BOLTON	C	24.39
BRADFORD	C	32.50
BRAINTREE	C	32.50
BRANDON	C	30.46
BRATTLEBORO	B	32.50
BRIDGEWATER	B	32.50
BRIDPORT	C	32.06
BRIGHTON	C	32.06
BRISTOL	C	27.24
BROOKFIELD	B	31.91
BROWNINGTON	B	31.22
BRUNSWICK	B	30.60
BURKE	C	20.93
BUELS GORE	B	32.50
BURLINGTON	B	32.50
CABOT	C	20.50
CALAIS	C	22.22
CAMBRIDGE	B	29.74
CANAAN	C	25.15
CASTLETON	B	29.32
CAVENDISH	C	32.50
CHARLESTON	B	32.50
CHARLOTTE	B	29.32
CHELSEA	C	28.84
CHESTER	C	28.46
CHITTENDEN	B	30.56
CLARENDON	B	30.32
COLCHESTER	C	32.50
CONCORD	C	30.42
CORINTH	C	27.27
CORNWALL	C	32.50
COVENTRY	C	32.50
CRAFTSBURY	C	32.50
DANBY	C	21.65
DANVILLE	C	31.16
DERBY	C	21.15
DORSET	C	24.55
DOVER	C	20.74
DUMMERSTON	B	32.50
DUXBURY	C	30.75
EDEN	C	15.85
ENOSBURG	C	32.50
EAST HAVEN	B	32.50
E. MONTPELIER	B (5'')	32.50
ELMORE	C	25.46
ESSEX	C	20.38
FAIRFAX	C	27.05
FAIRFIELD	C	32.50
FAIR HAVEN	B	32.50
FAIRLEE	C	26.12
FAYSTON	C	28.85
FERDINAND	B	29.17
FERRISBURGH	B	32.50
FLETCHER	C	31.85
FRANKLIN	C	31.31

TEXT	SERIES	DIMENSIONS
GEORGIA	C	27.74
GLOVER	C	25.00
GOSHEN	C	25.16
GLASTENBURY	B (5'')	31.32
GRAFTON	C	29.31
GRAND ISLE	B	32.50
GRANVILLE	C	32.50
GREENSBORO	B	32.50
GROTON	C	25.35
GUILDHALL	C	32.50
GUILFORD	C	31.78
HALIFAX	C	27.14
HANCOCK	C	29.96
HARDWICK	C	32.50
HARTFORD	C	32.50
HARTLAND	C	32.50
HIGHGATE	C	31.14
HINESBURG	B	29.23
HOLLAND	C	29.22
HUBBARDTON	B	31.42
HYDE PARK	B	32.50
IRA	C	10.15
IRASBURG	C	32.37
ISLE LA MOTTE	B (5'')	32.50
JAMAICA	C	28.26
JAY	C	11.85
JERICHO	C	27.24
JOHNSON	C	30.39
KILLINGTON	B	30.16
KIRBY	C	18.99
LANGROVE	B	30.33
LEICESTER	C	32.50
LEMINGTON	B	28.79
LONDONDERRY	B (5'')	32.18
LOWELL	C	25.04
LUDLOW	C	26.10
LUNENBERG	B	30.01
LYNDON	C	24.96
MAIDSTONE	B	29.51
MANCHESTER	B	32.50
MARLBORO	C	32.50
MARSHFIELD	B	32.47
MENDON	C	26.02
MIDDLEBURY	B	32.50
MIDDLESEX	B	29.06
MIDDLETOWN SPR	B (5'')	32.50
MILTON	C	22.63
MONTGOMERY	B	32.50
MONTPELIER	B	31.94
MORETOWN	C	32.50
MORGAN	C	26.52
MORRISTOWN	B	32.50
MOUNT HOLLY	B (5'')	31.97
MOUNT TABOR	B	32.02
NEWARK	C	25.65
NEWBURY	C	30.87
NEWFANE	C	29.73
NEW HAVEN	B	32.50
NEWPORT CITY	B (5'')	32.50
NEWPORT TOWN	B (5'')	32.50
NORTH HERO	B	32.50
NORTHFIELD	B	31.57
NORTON	C	25.60
NORWICH	C	28.77
ORANGE	C	25.88
ORWELL	C	25.57
PANTON	C	25.38
PAWLET	C	24.59
PEACHAM	C	30.23
PERU	C	16.38
PITTSFIELD	C	32.50
PITTSFORD	C	32.50
PLAINFIELD	B	29.65
PLYMOUTH	C	32.50
POMFRET	C	29.42

TEXT	SERIES	DIMENSIONS
POULTNEY	C	32.50
POWNAL	C	26.35
PROCTOR	C	29.31
PUTNEY	C	24.83
RANDOLPH	C	32.50
READING	C	27.47
READSBORO	B	31.09
RICHFORD	C	32.06
RICHMOND	C	32.50
RIPTON	C	22.97
ROCHESTER	B	29.54
ROCKINGHAM	B	32.50
ROXBURY	C	30.44
ROYALTON	C	32.50
RUPERT	C	24.94
RUTLAND CITY	B (5'')	32.50
RUTLAND TOWN	B (5'')	32.50
RYEGATE	C	28.47
ST. ALBANS CITY	B (5'')	32.50
ST. ALBANS TOWN	B (5'')	32.50
ST. GEORGE	B	32.50
ST. JOHNSBURY	B (5'')	32.50
SALISBURY	C	32.50
SEARSBURG	B	30.93
SHAFTSBURY	B	32.50
SHARON	C	25.91
SHEFFIELD	C	32.50
SHELDON	C	29.42
SHOREHAM	C	32.50
SHREWSBURY	B	32.50
S. BURLINGTON	B (5'')	32.50
SOUTH HERO	B	32.50
SPRINGFIELD	B	32.50
STAMFORD	C	32.50
STARKSBORO	B	32.50
STOCKBRIDGE	B	32.50
STOWE	C	21.30
STRAFFORD	B	30.42
STRATTON	C	32.06
SUDBURY	C	30.77
SUNDERLAND	B	32.50
SUTTON	C	24.21
SWANTON	C	30.22
THETFORD	C	32.50
TINMOUTH	C	32.14
TOPSHAM	C	30.53
TOWNSHEND	B	31.70
TROY	C	16.54
TUNBRIDGE	C	32.50
UNDERHILL	C	32.50
VERGENNES	B	30.03
VERNON	C	25.79
VERSHIRE	C	31.72
WAITSFIELD	B	30.44
WALDEN	C	25.46
WALLINGFORD	B	32.50
WALTHAM	C	29.91
WARDSBORO	B	32.29
WARREN	C	25.99
WARRENS GORE	B (5'')	32.50
WASHINGTON	B	32.50
WATERBURY	B	31.40
WATERFORD	B	30.65
WATERVILLE	B	31.35
WEATHERSFIELD	B (5'')	32.50
WELLS	C	20.83
WEST FAIRLEE	B (5'')	32.50
WESTFIELD	C	32.50
WEST HAVEN	B	32.50
WESTFORD	C	32.50
WESTMINISTER	B	32.50
WESTMORE	C	32.50
WESTON	C	25.85

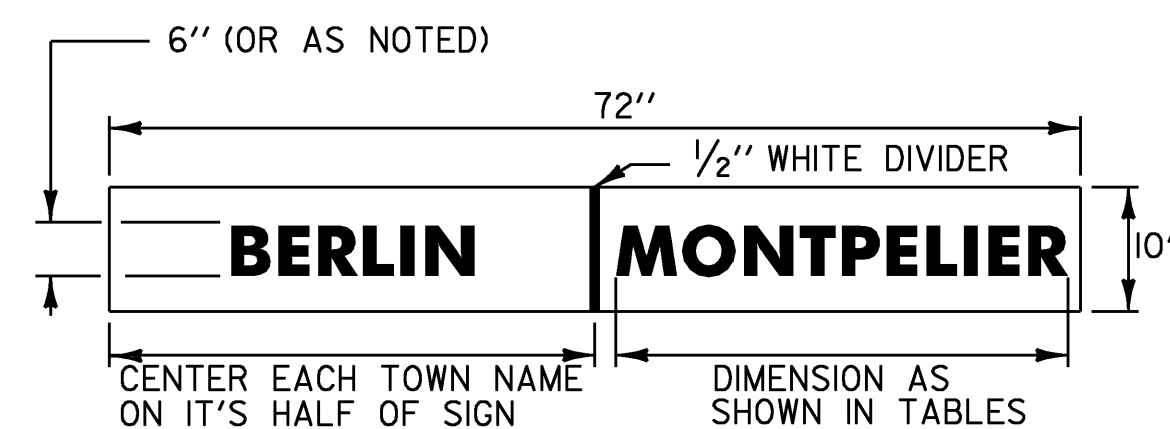
TEXT	SERIES	DIMENSIONS
WEST RUTLAND	B (5'')	32.50
WEST WINDSOR	B (5'')	32.50
WEYBRIDGE	C	32.50
WHEELLOCK	C	32.50
WHITING	C	25.86
WHITINGHAM	B	32.50
WILLIAMSTOWN	B (5'')	32.50
WILLISTON	C	32.50
WILMINGTON	B	32.16
WINDHAM	C	29.66
WINDSOR	C	28.77
WINHALL	C	28.24
WINDSOR	C	30.81
WOLCOTT	C	29.38
WOODBURY	C	32.50
WOODFORD	C	32.50
WOODSTOCK	B	31.79
WORCESTER	B	30.76



WHEN CROSSING COUNTY BOUNDARIES AN ADDITIONAL COUNTY LINE SIGN SHALL BE MOUNTED BELOW THE TOWN LINE SIGN MAINTAINING AN SEVEN FOOT CLEARANCE.

NOTES:

- WORD TO WORD SPACING FOR MULTIPLE TEXT TOWN NAMES IS ADJUSTABLE TO ACCOMMODATE DIMENSION REQUIREMENTS.
- DIMENSIONS SHOWN ARE APPROXIMATE AND MAY BE ADJUSTED SLIGHTLY TO ACCOMMODATE VARIOUS MANUFACTURER'S LETTER WIDTHS.
- ALL DIMENSIONS ARE IN INCHES UNLESS OTHERWISE NOTED



**VD-024
VD-025 SIMILAR**

TEXT	SERIES	DIMENSIONS
ADDISON CO.	B	32.50
BENNINGTON CO.	B (5'')	32.50
CALEDONIA CO.	B (5'')	32.50
CHITTENDEN CO.	B (5'')	32.50
ESSEX CO.	C	32.50
FRANKLIN CO.	B (5'')	32.50
GRAND ISLE CO.	B (5'')	32.50
LAMOILLE CO.	B (5'')	32.50
ORANGE CO.	B	32.50
ORLEANS CO.	B	32.50
RUTLAND CO.	B	32.50
WASHINGTON CO.	B (5'')	32.50
WINDHAM CO.	B	32.50
WINDSOR CO.	B	32.50

VD-025

TOWN/COUNTY LINE SIGN NOTES:

- THE SIGN BASE MATERIAL SHALL BE HIGH DENSITY OVERLAID PLYWOOD 5/8 INCH THICK OR ALUMINUM SHEETING 0.125" MINIMUM THICKNESS. THE RETROREFLECTIVE MATERIAL SHALL BE SHEETING APPLIED TO THE ENTIRE BACKGROUND OF THE SIGN. THE LEGEND SHALL BE CUT-OUT RETROREFLECTIVE LEGEND. ALL RETROREFLECTIVE MATERIAL SHALL BE EQUAL TO OR EXCEEDING THE "THE AMERICAN SOCIETY OF TESTING AND MATERIALS" (ASTM) TYPE III.
- SIGNS SHALL HAVE MINIMUM ASTM TYPE III SHEETING WITH A WHITE LEGEND ON A GREEN BACKGROUND.
- LEGEND SHALL CONFORM WITH THE STANDARD ALPHABETS FOR HIGHWAY SIGNS APPROVED BY THE NATIONAL JOINT COMMITTEE ON UNIFORM TRAFFIC CONTROL DEVICES.
- ALL SIGNS SHALL BE IN ACCORDANCE WITH "THE MANUAL ON UNIFORM TRAFFIC CONTROL DEVICES" (2003 MUTCD) AND THE "STANDARD HIGHWAY SIGNS" BOOK (SHS) PUBLISHED BY THE FEDERAL HIGHWAY ADMINISTRATION (FHWA).

PROJECT NAME: DERBY - BLOOMFIELD	
PROJECT NUMBER: STPG SIGN (22)	
FILE NAME: 09b026_TS.DGN	PLOT DATE: 11-JUN-2009
PROJECT LEADER: N. AVERY	DRAWN BY: N. AVERY
DESIGNED BY: N. AVERY	CHECKED BY: A. GAMBLE
COUNTY/ TOWNLIN DESIGN	SHEET 4 OF 79