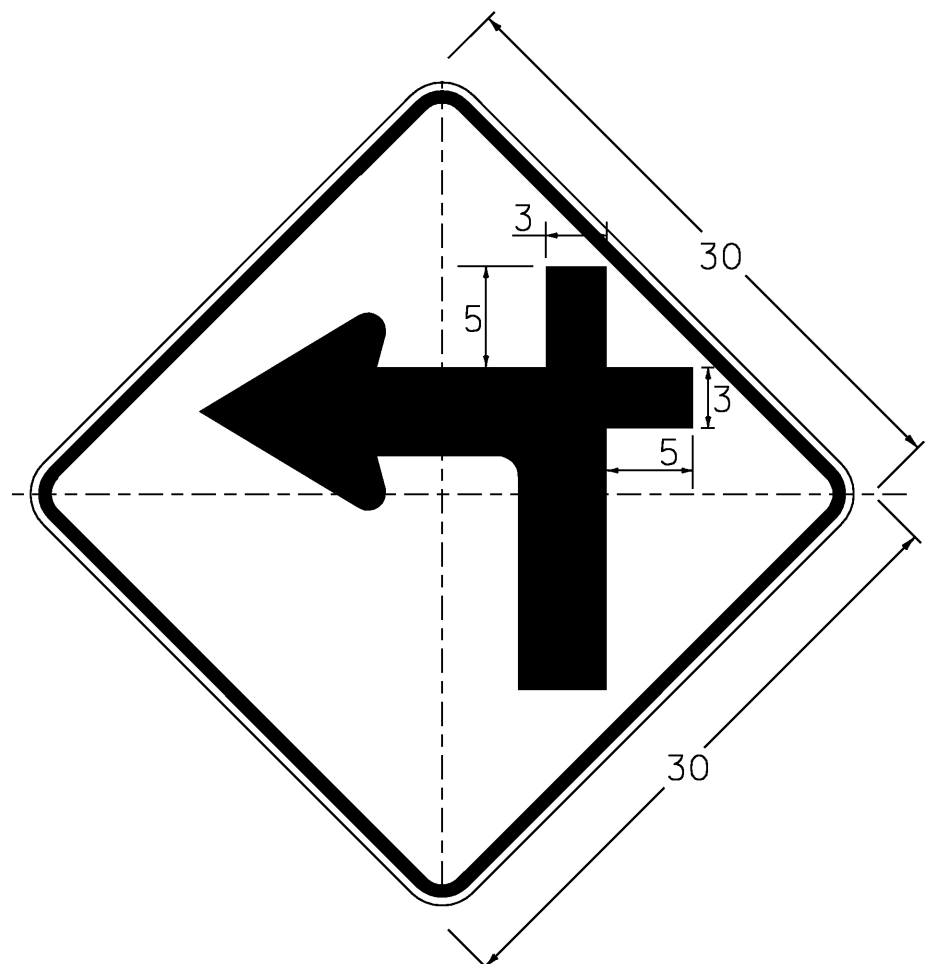


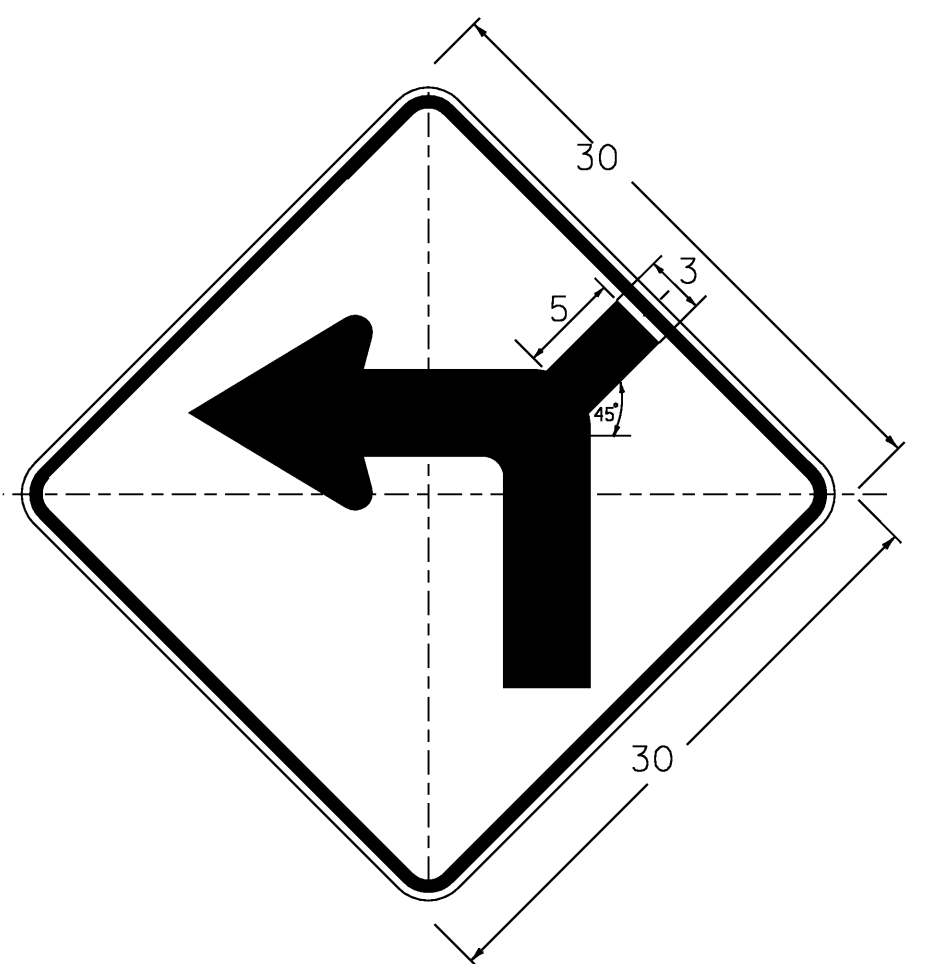
**W1-1Mb L(R)**

DIMENSIONS NOT SHOWN  
FOR THIS DETAIL SHALL CONFORM  
TO THE LATEST EDITION OF THE 2003 MUTCD  
FOR SIGN DETAIL W1-1.  
UNLESS OTHERWISE NOTED FOR THIS DETAIL



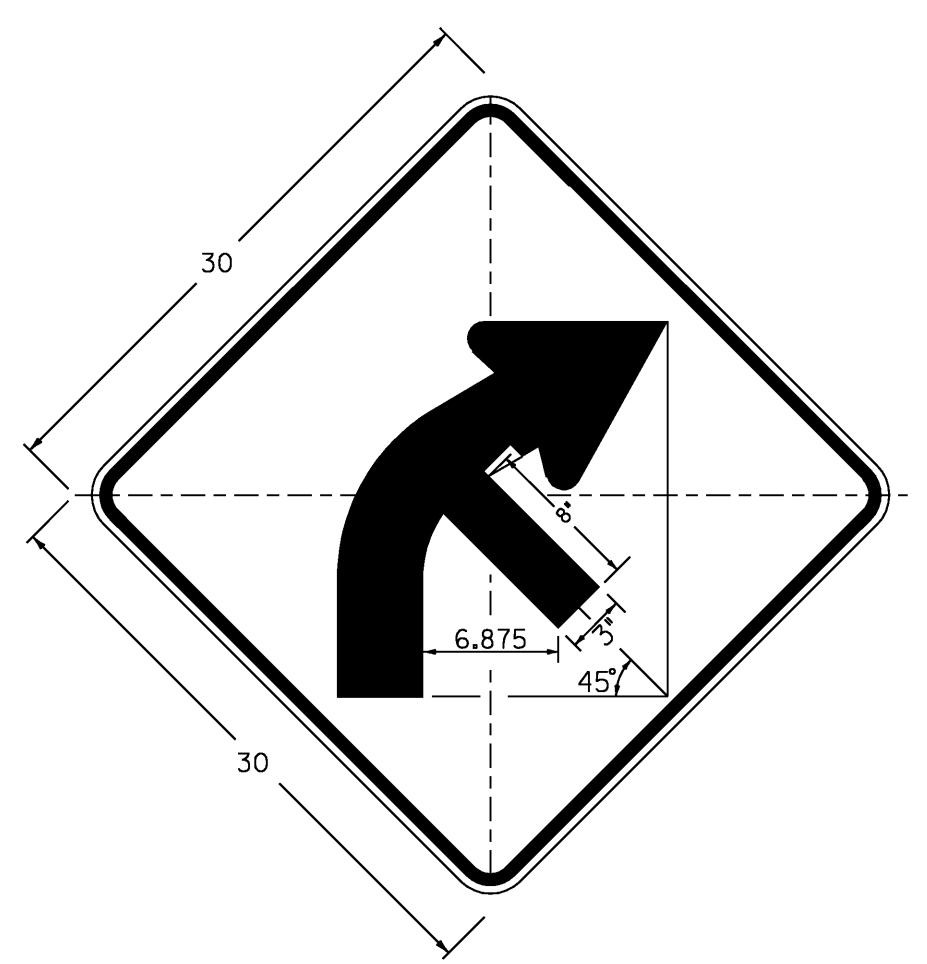
**W1-1Mc L(R)**

DIMENSIONS NOT SHOWN  
FOR THIS DETAIL SHALL CONFORM  
TO THE LATEST EDITION OF THE 2003 MUTCD  
FOR SIGN DETAIL W1-1.  
UNLESS OTHERWISE NOTED FOR THIS DETAIL



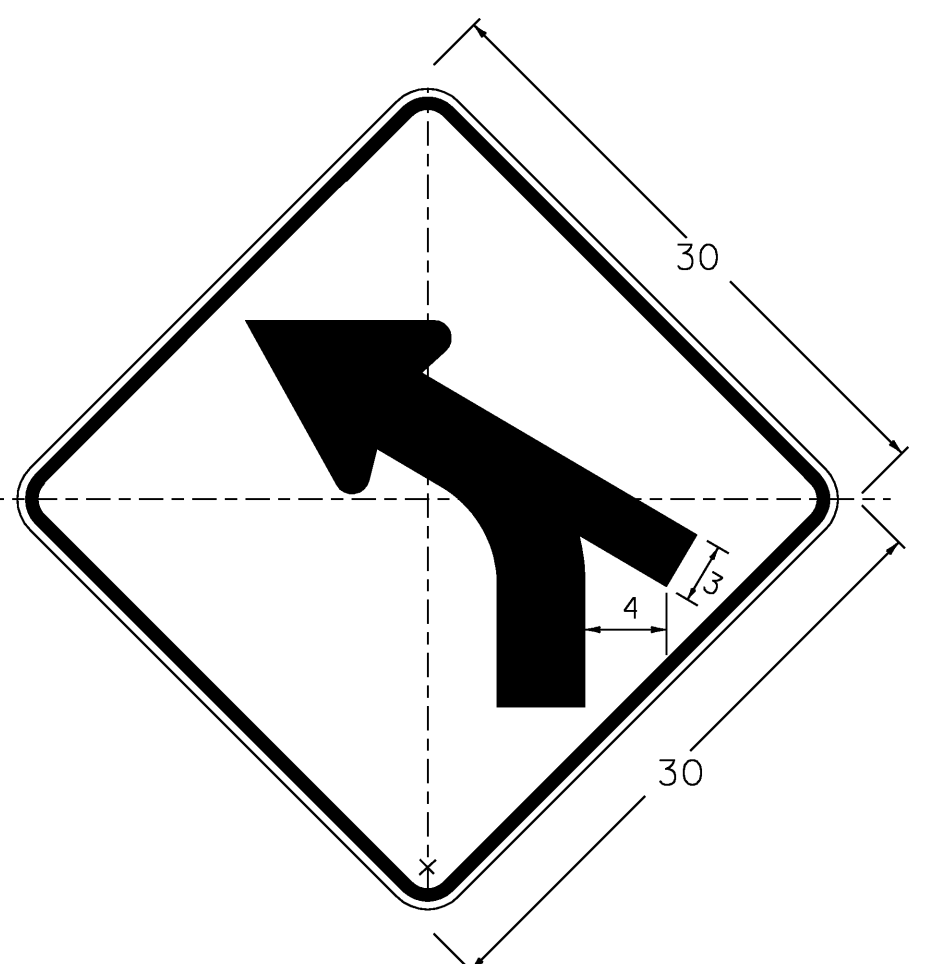
**W1-1Md L(R)**

DIMENSIONS NOT SHOWN  
FOR THIS DETAIL SHALL CONFORM  
TO THE LATEST EDITION OF THE 2003 MUTCD  
FOR SIGN DETAIL W1-1.  
UNLESS OTHERWISE NOTED FOR THIS DETAIL



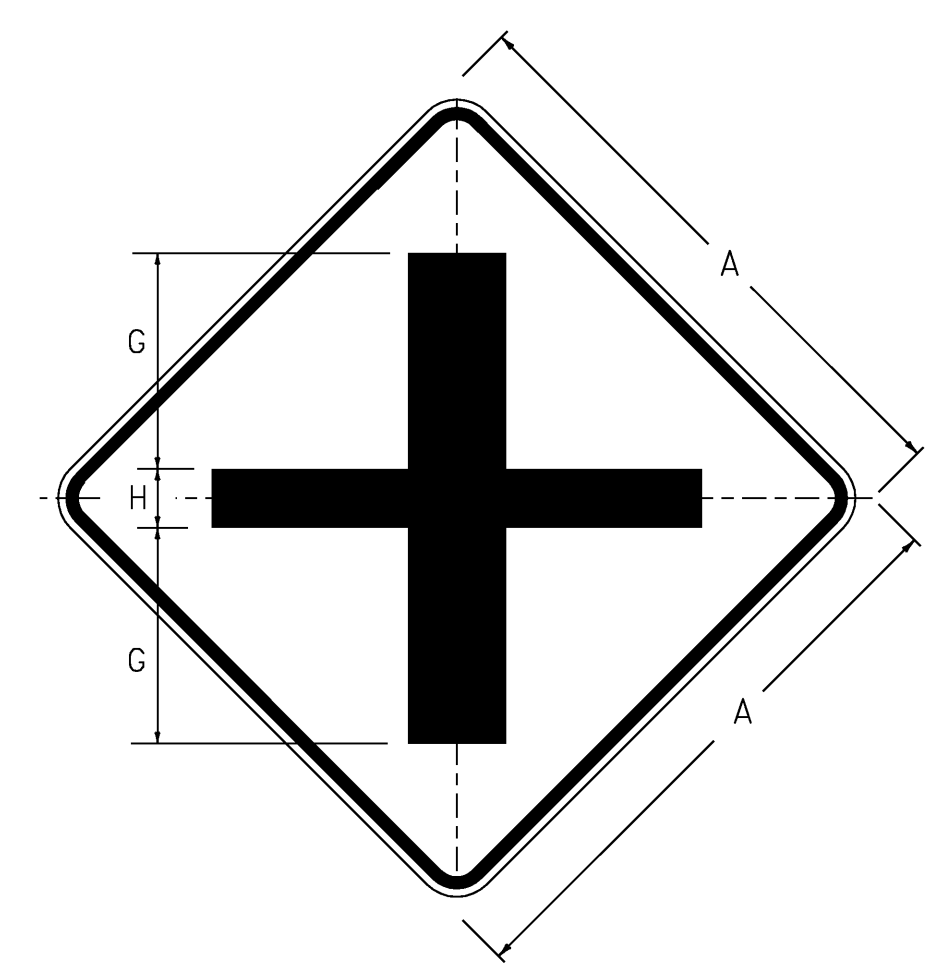
**W1-2Mb R(L)**

DIMENSIONS NOT SHOWN  
FOR THIS DETAIL SHALL CONFORM  
TO THE LATEST EDITION OF THE 2003 MUTCD  
FOR SIGN DETAIL W1-2.  
UNLESS OTHERWISE NOTED FOR THIS DETAIL



**W1-2Mh L(R)**

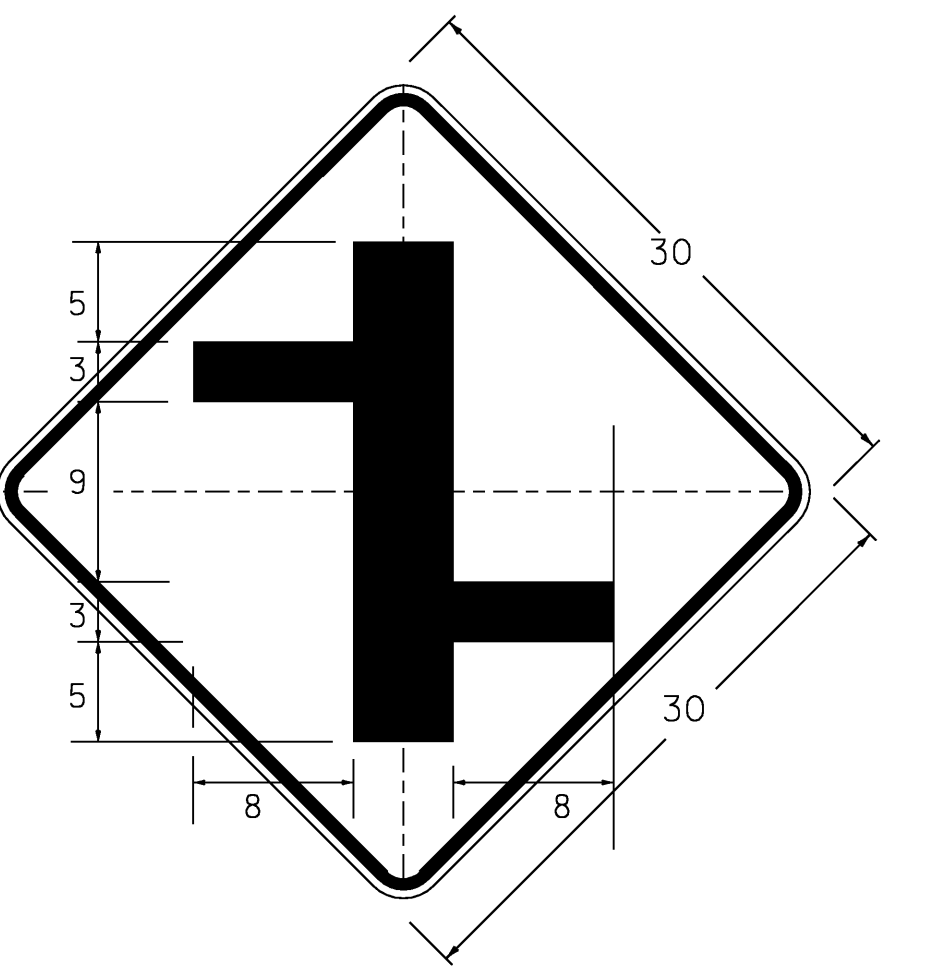
DIMENSIONS NOT SHOWN  
FOR THIS DETAIL SHALL CONFORM  
TO THE LATEST EDITION OF THE 2003 MUTCD  
FOR SIGN DETAIL W1-2.  
UNLESS OTHERWISE NOTED FOR THIS DETAIL



**W2-1Mb**

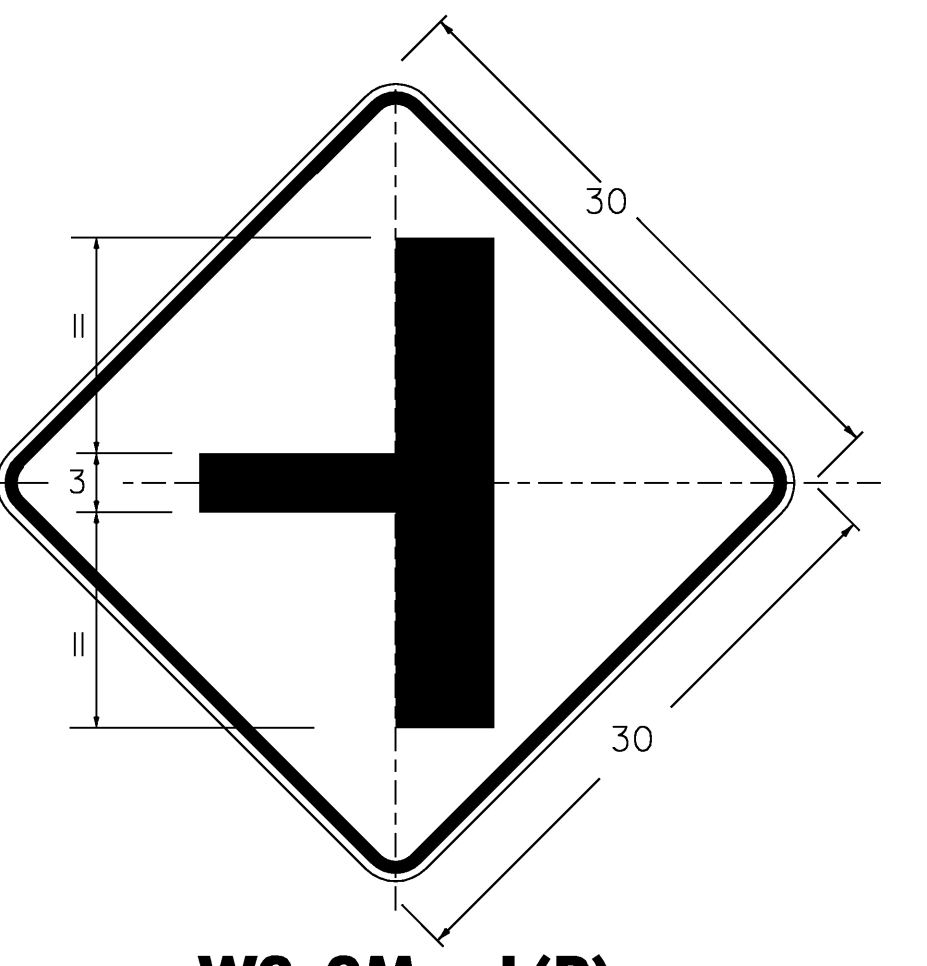
DIMENSIONS NOT SHOWN  
FOR THIS DETAIL SHALL CONFORM  
TO THE LATEST EDITION OF THE 2003 MUTCD  
FOR SIGN DETAIL W2-1.  
UNLESS OTHERWISE NOTED FOR THIS DETAIL

SIGN	DIMENSIONS ( IN )		
	A	G	H
MIN & STD.	30	11	3
SPECIAL	36	13	4



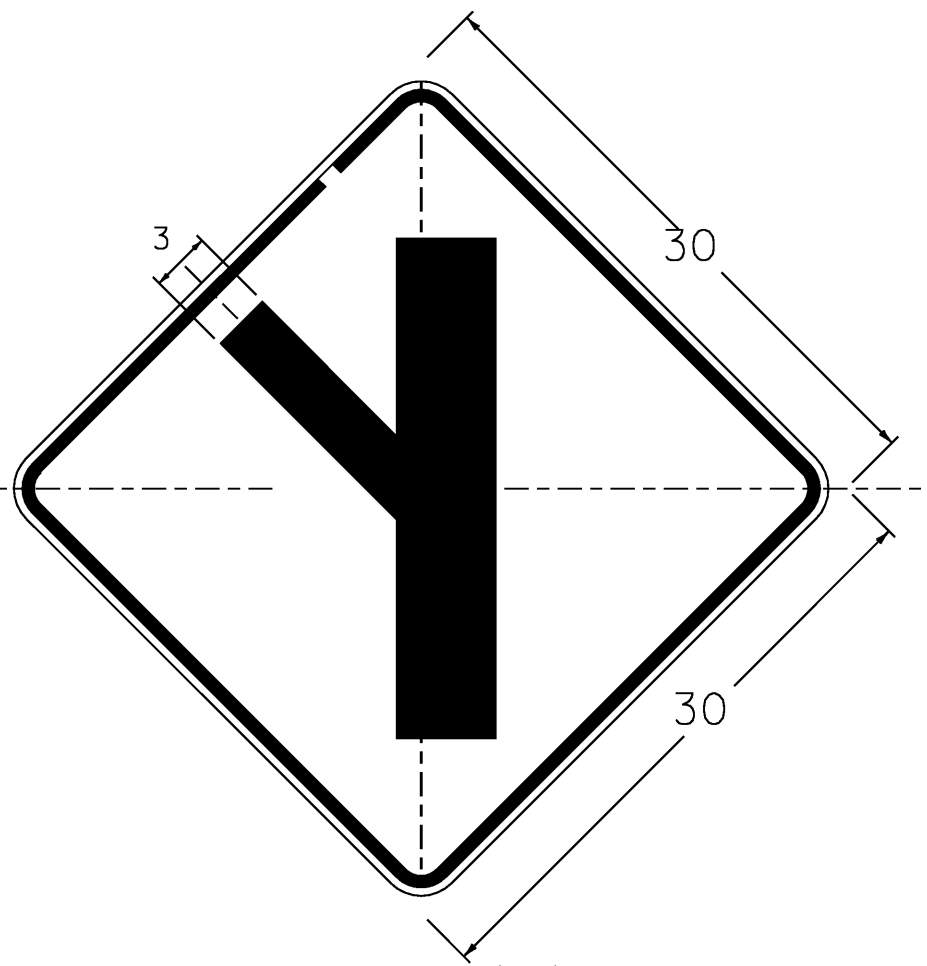
**W2-1Md**

DIMENSIONS NOT SHOWN  
FOR THIS DETAIL SHALL CONFORM  
TO THE LATEST EDITION OF THE 2003 MUTCD  
FOR SIGN DETAIL W2-1.  
UNLESS OTHERWISE NOTED FOR THIS DETAIL



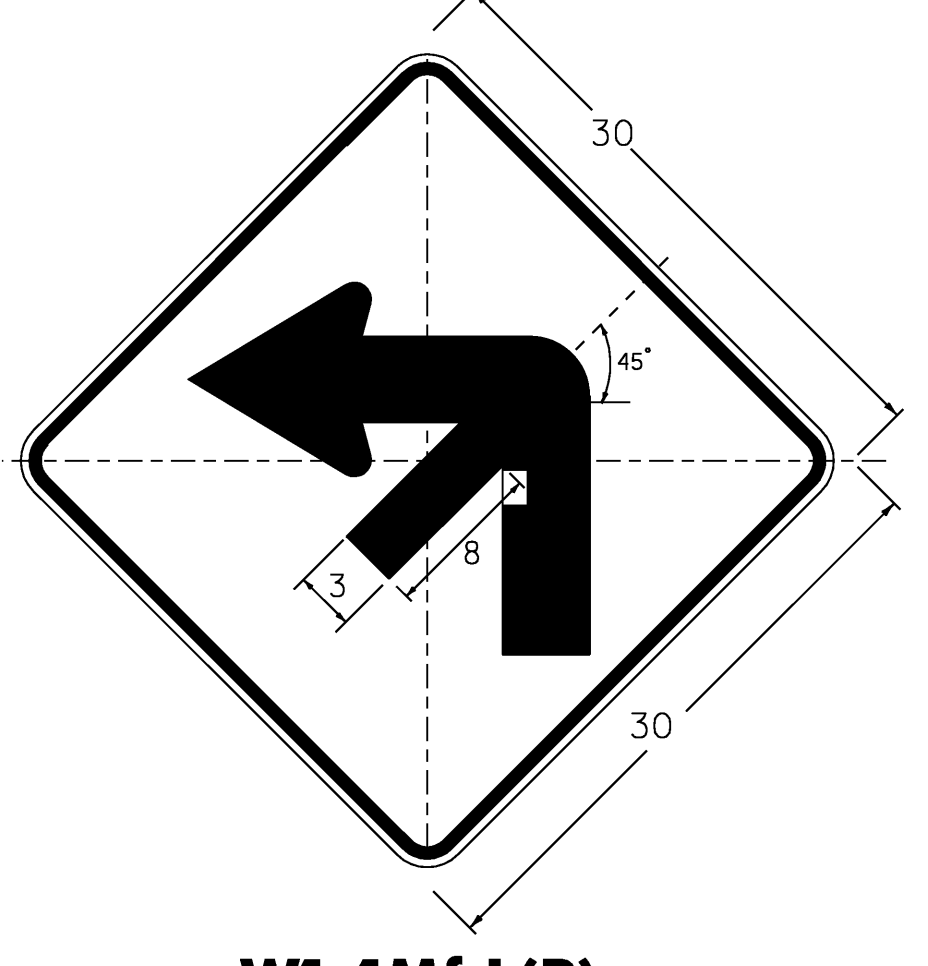
**W2-2Ma L(R)**

DIMENSIONS NOT SHOWN  
FOR THIS DETAIL SHALL CONFORM  
TO THE LATEST EDITION OF THE 2003 MUTCD  
FOR SIGN DETAIL W2-2.  
UNLESS OTHERWISE NOTED FOR THIS DETAIL



**W2-3Ma L(R)**

DIMENSIONS NOT SHOWN  
FOR THIS DETAIL SHALL CONFORM  
TO THE LATEST EDITION OF THE 2003 MUTCD  
FOR SIGN DETAIL W2-3.  
UNLESS OTHERWISE NOTED FOR THIS DETAIL



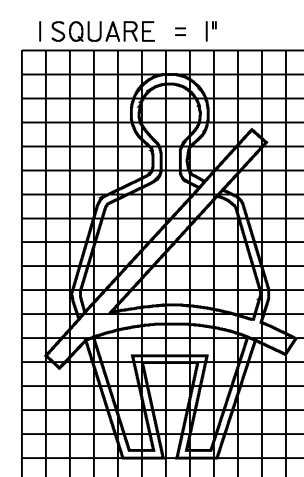
**W1-1Mf L(R)**

DIMENSIONS NOT SHOWN  
FOR THIS DETAIL SHALL CONFORM  
TO THE LATEST EDITION OF THE 2003 MUTCD  
FOR SIGN DETAIL W1-1.  
UNLESS OTHERWISE NOTED FOR THIS DETAIL



1.5" RADIUS, 0.625" BORDER, 0.375" INDENT  
COLORS: LEGEND - BLACK  
BACKGROUND - WHITE  
TEXT STYLE: "SAFETY BELTS" B; "REQUIRED" C  
SYMBOL: R6015 REFER TO 2004 SHS BOOK

**VR-601**



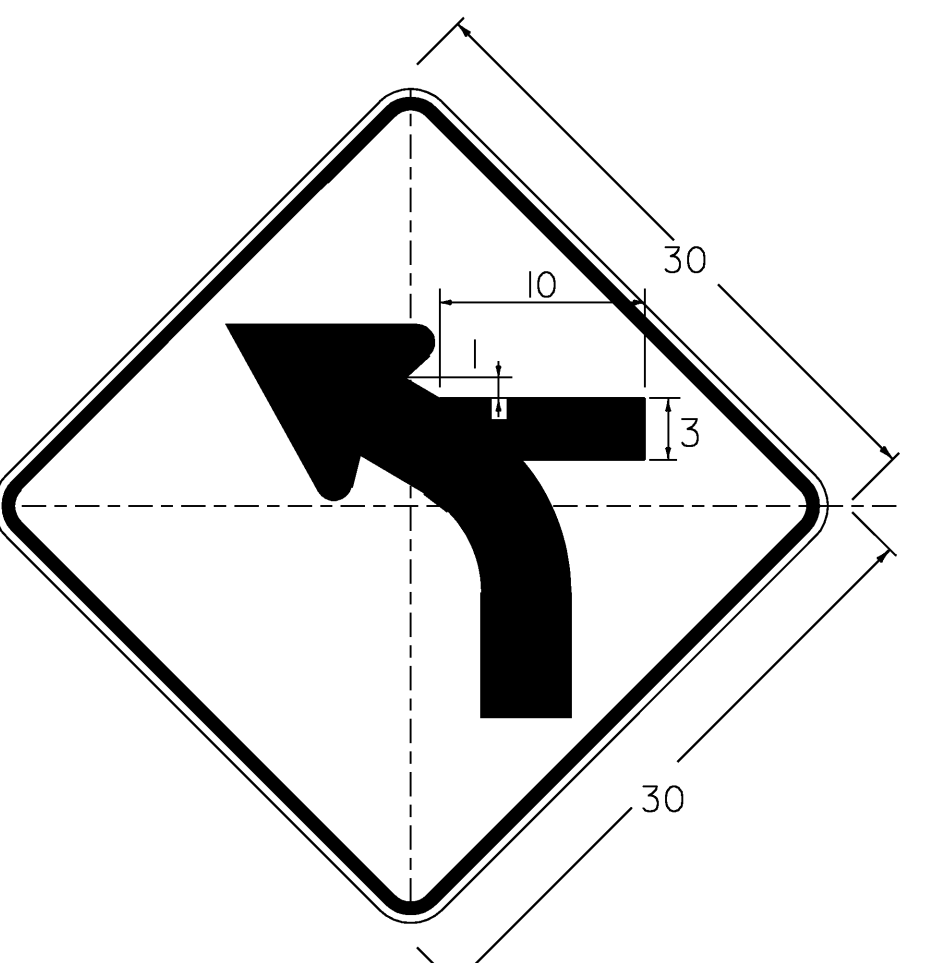
**VR-644p**

1.5" RADIUS, 0.625" BORDER, 0.375" INDENT  
COLORS: LEGEND - RED  
BACKGROUND - WHITE  
TEXT STYLE: "BEGIN" C



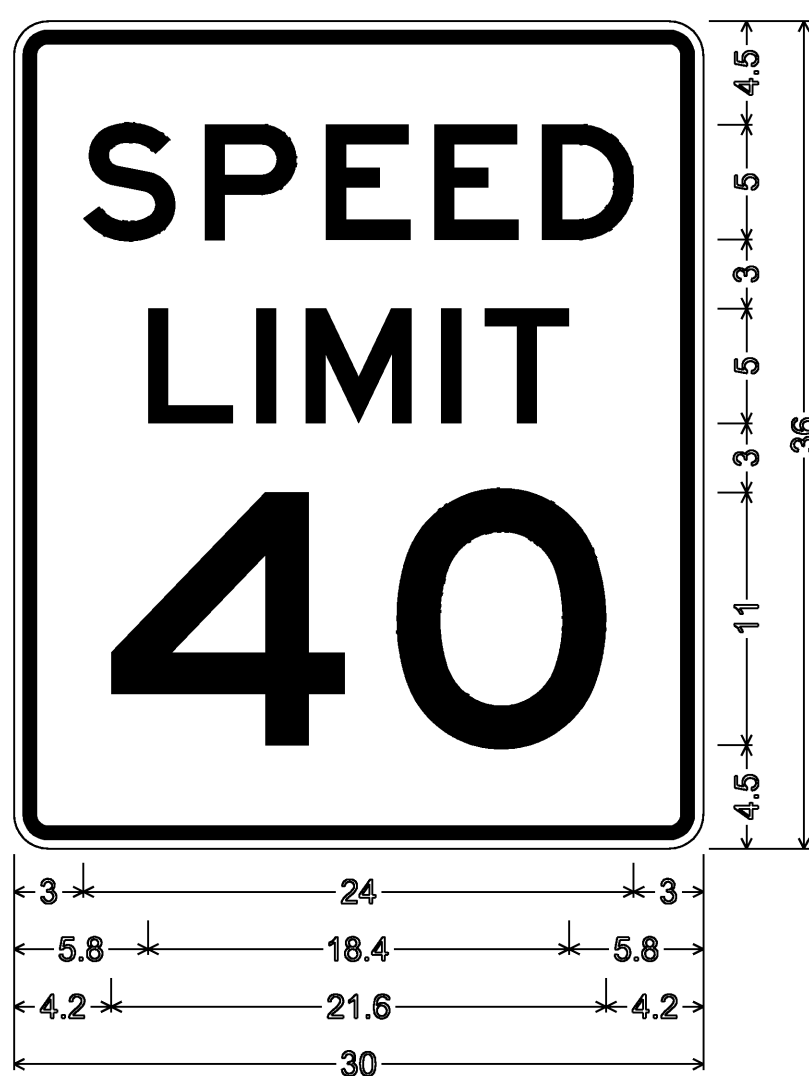
**VR-208**

1.5" RADIUS, 0.625" BORDER, 0.375" INDENT  
COLORS: LEGEND - BLACK  
BACKGROUND - WHITE  
TEXT STYLE: "UNLESS" C;  
"OTHERWISE" C - SPECIFIED LENGTH;  
"POSTED" C



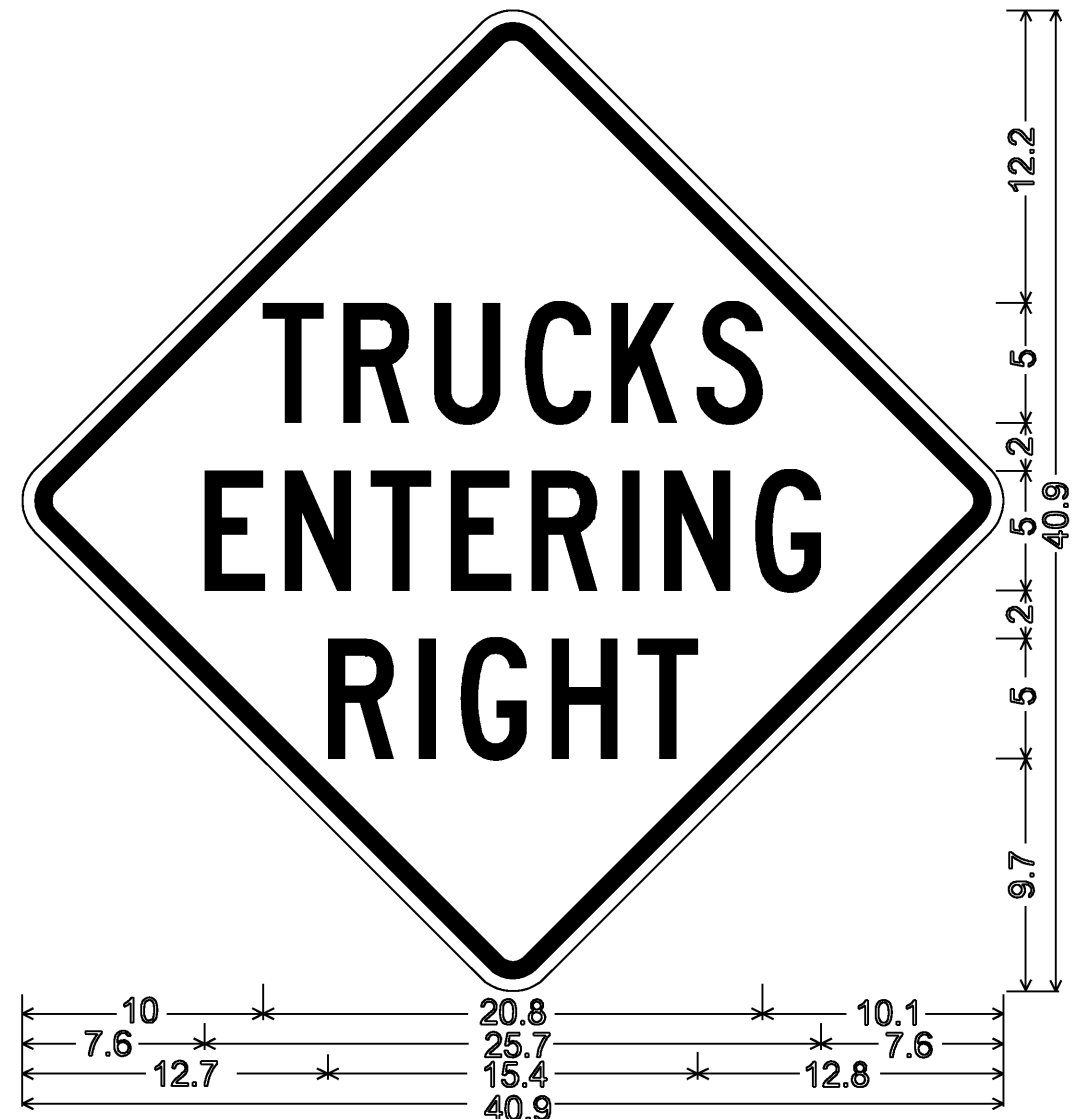
**W1-2Md L**

DIMENSIONS NOT SHOWN  
FOR THIS DETAIL SHALL CONFORM  
TO THE LATEST EDITION OF THE 2003 MUTCD  
FOR SIGN DETAIL W1-2.  
UNLESS OTHERWISE NOTED FOR THIS DETAIL



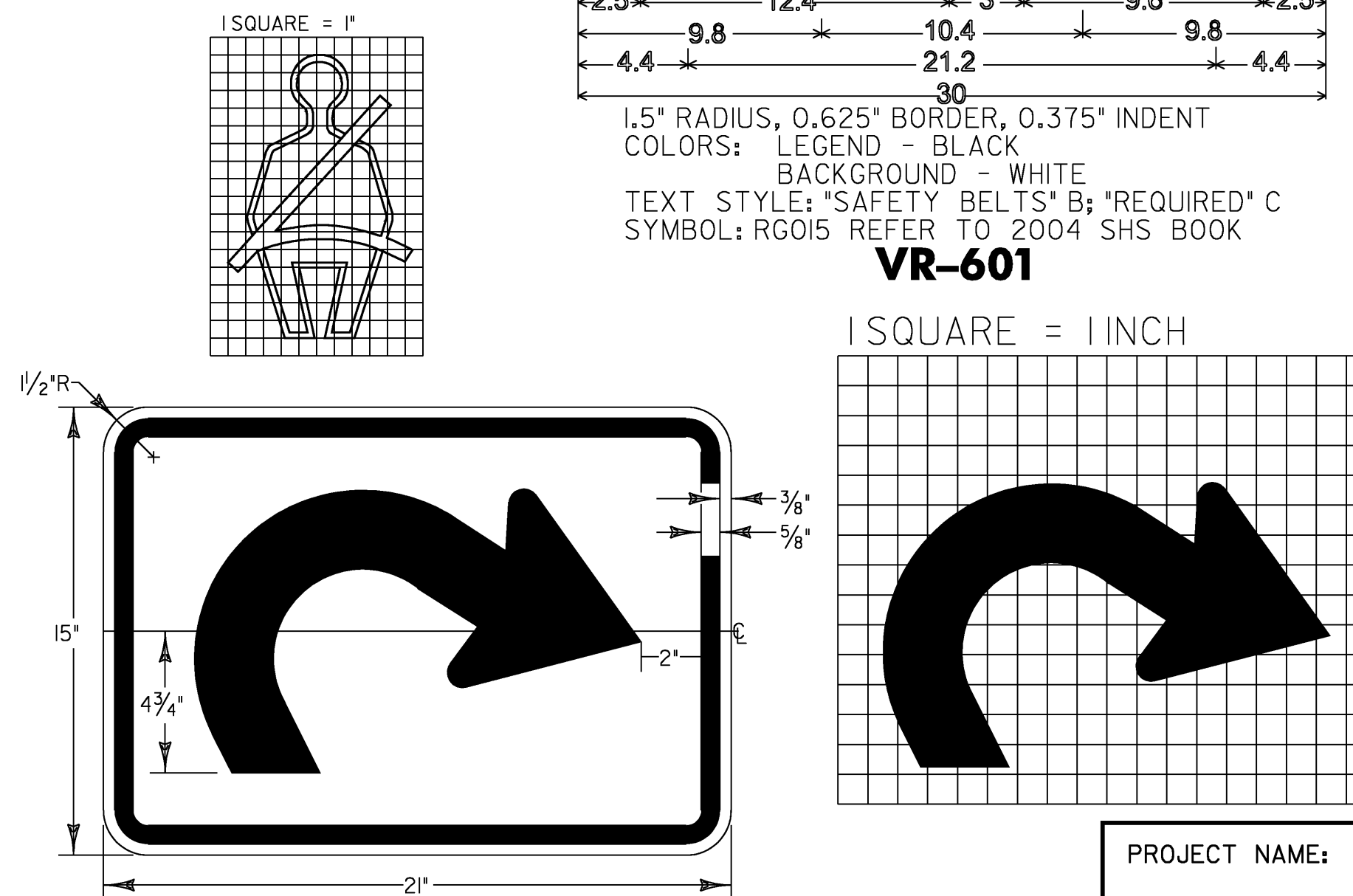
**R2-1**

1.5" RADIUS, 0.625" BORDER, 0.375" INDENT  
COLORS: LEGEND - BLACK  
BACKGROUND - WHITE  
TEXT STYLE: "SPEED" E; "LIMIT" E; "40" E



**VW-081**

30" SQUARE SIGN FACE  
1.875" RADIUS, 0.75" BORDER, 0.50" INDENT  
COLORS: LEGEND - BLACK  
BACKGROUND - YELLOW  
TEXT STYLE: C



**VM-013 R(L)**

COLORS: LEGEND - VARIES  
BACKGROUND - VARIES  
REFER TO TRAFFIC SIGN SUMMARY SHEET  
FOR SIGN COLORS REQUIRED.

PROJECT NAME: STAMFORD - ANDOVER

PROJECT NUMBER: STPG SIGN (20)

FILE NAME: 09B022\_TS.DGN  
PROJECT LEADER: N. AVERY  
DESIGNED BY: N. AVERY  
SIGN DESIGNS 2

PLOT DATE: 06-AUG-2009  
DRAWN BY: N. AVERY  
CHECKED BY: A. GAMBLE  
SHEET 6 OF 198