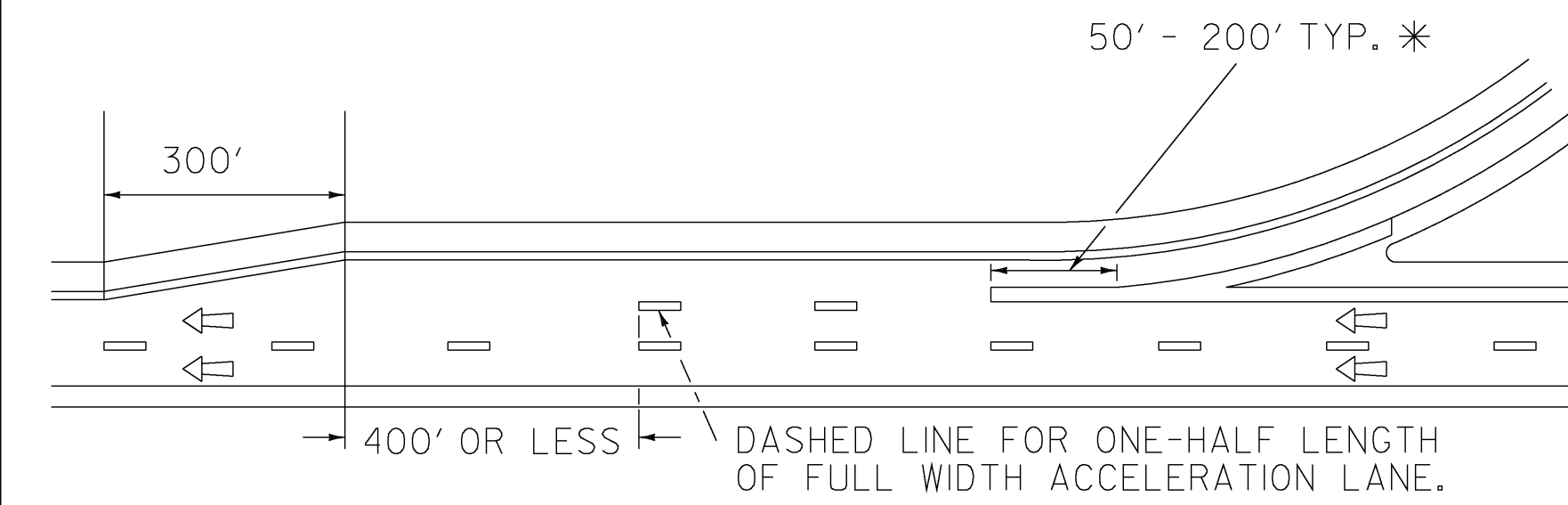
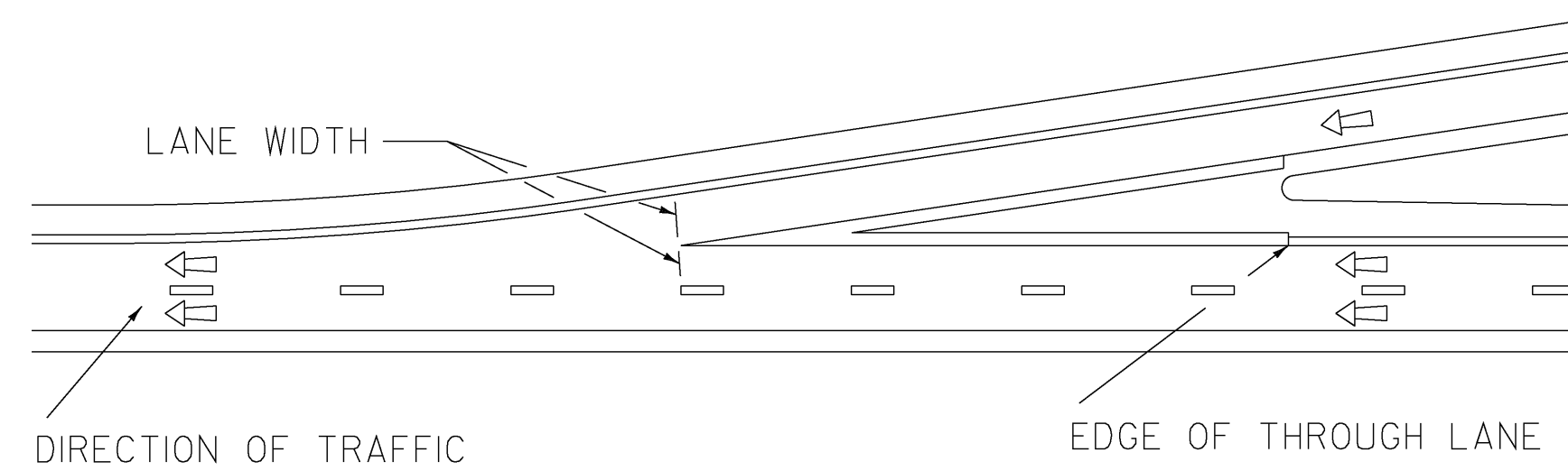


# RAMP MARKINGS

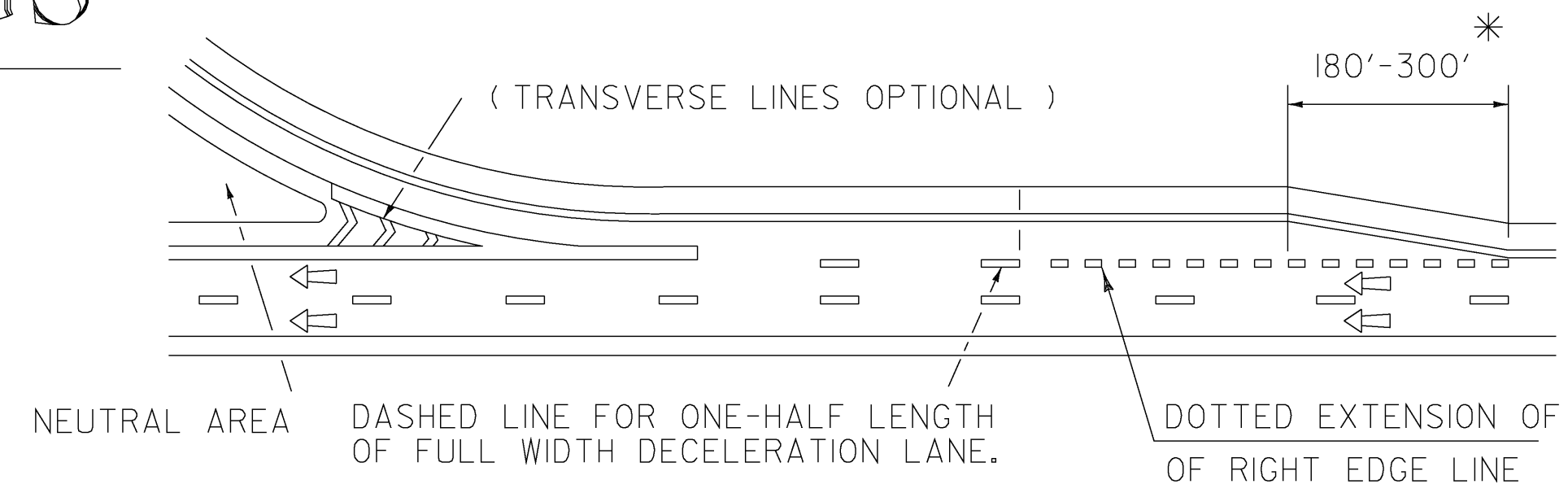


\* USE LONGER LENGTH TO EMPHASIZE SITUATIONS WHERE THE CROSSING REQUIRES UNUSUAL CARE SUCH AS HIGH VOLUME MERGE AREAS.

**PARALLEL ACCELERATION LANE**

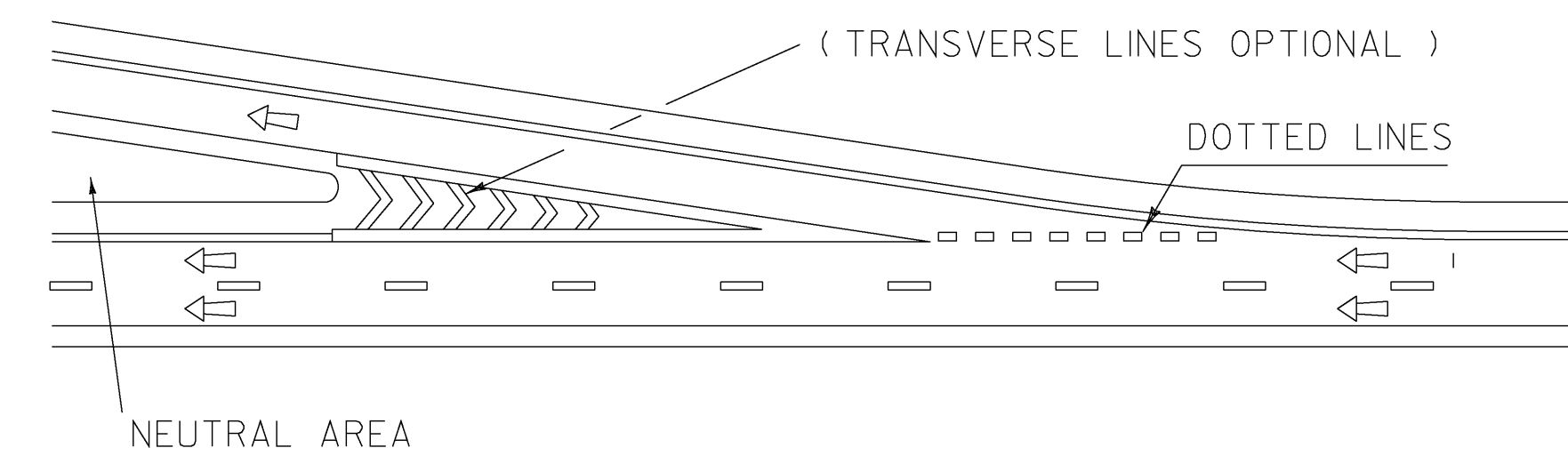


**TAPERED ACCELERATION LANE**

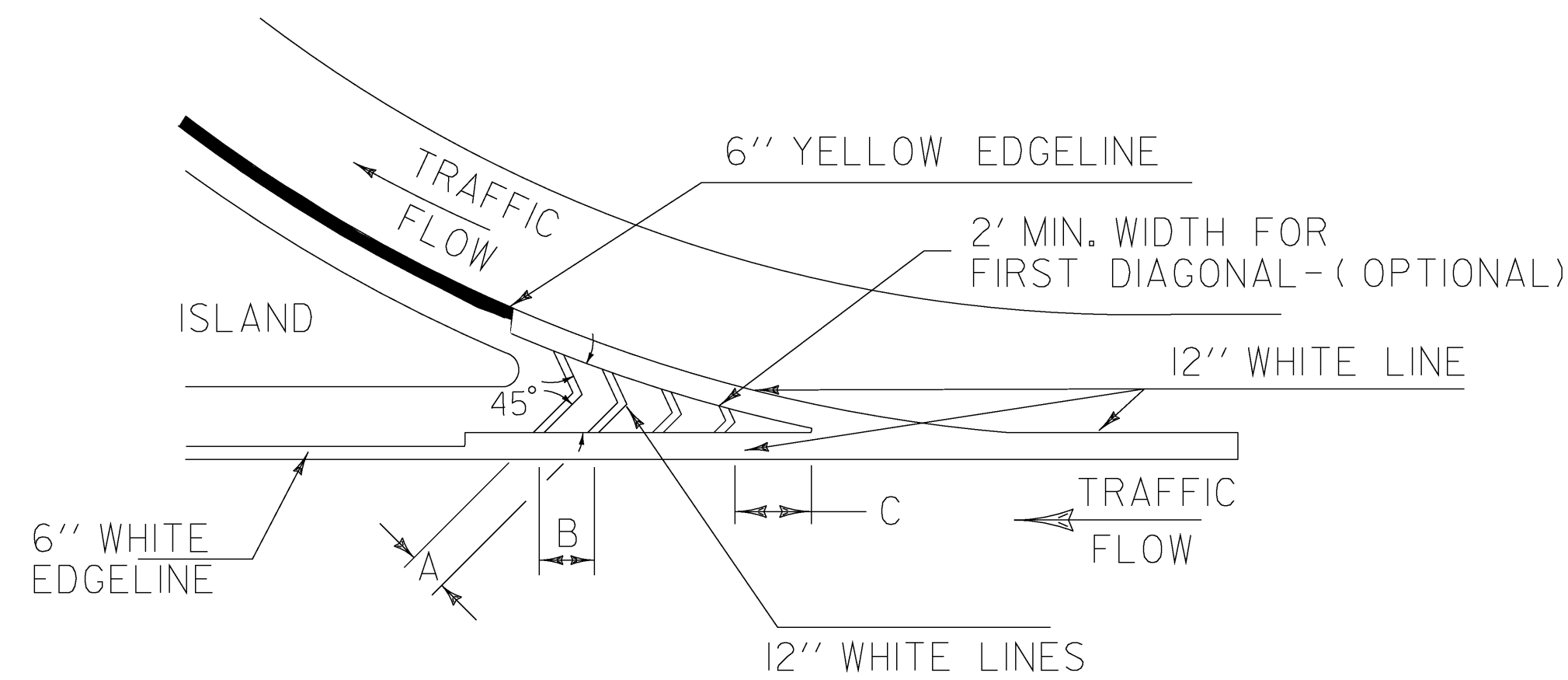


\* SHORTER TAPERS GIVE A BETTER TARGET VALUE, HOWEVER ALIGNMENT MAY DICTATE A LONGER TAPER. ENGINEER SHALL ESTIMATE LENGTH.

**PARALLEL DECELERATION LANE**

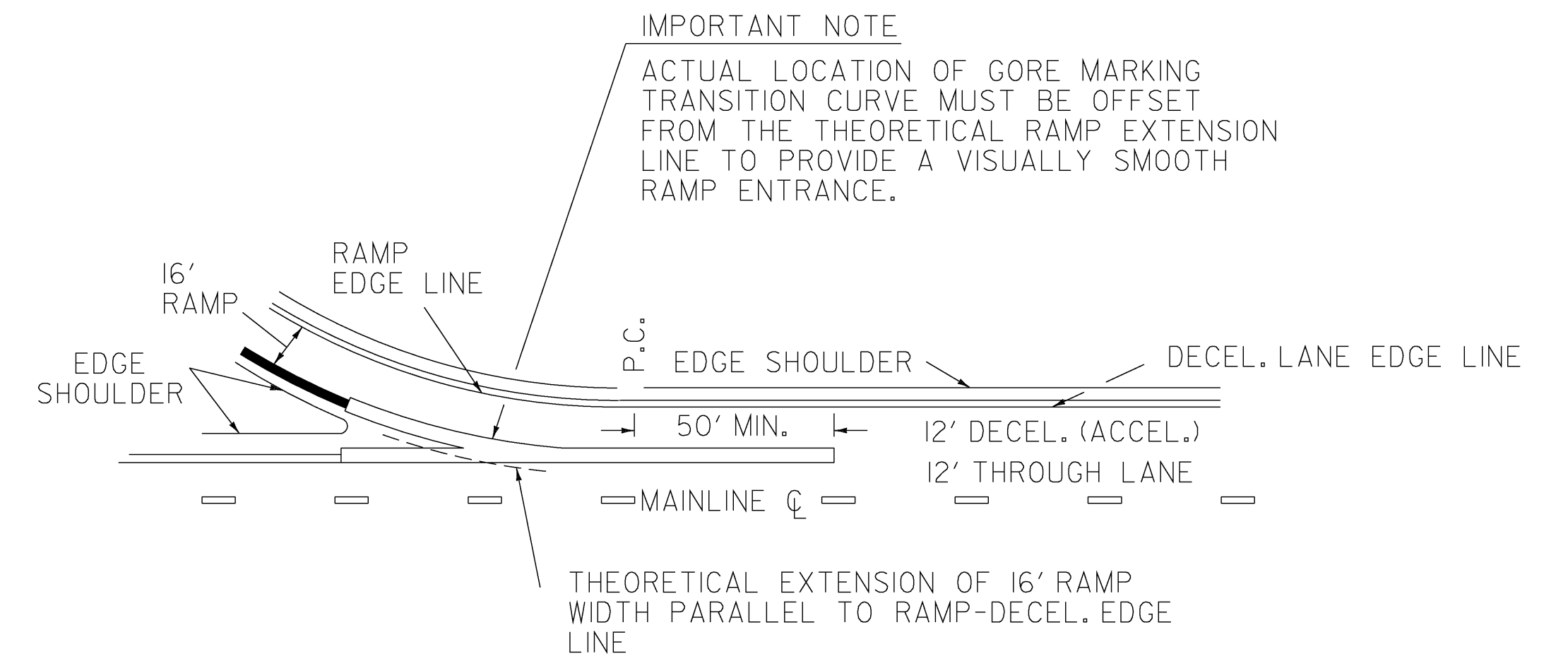


**TAPERED DECELERATION LANE**



**GORE MARKING DETAIL - EXIT TRANSVERSE LINES**

DIMENSIONS			CONDITIONS FOR USE	
A	B	C		
5'	7'	2'	LOW SPEED OR HIGH SPEED/W POOR SIGHT DISTANCE, <200'	WHERE LENGTH OF DIAGONAL AREA IS 75' MAX.
10'	14'	4'	HIGH SPEED AND GOOD SIGHT DISTANCE, ≥200'	WHERE LENGTH OF DIAGONAL AREA EXCEEDS 75'



**DETAIL - GORE MARKING TRANSITION CURVE**

**LEGEND**

- WHITE LINES
- YELLOW LINES
- CHANNELIZATION WHITE LINES
- WHITE DOTTED LINES (2' SOLID - 4' GAP)
- DIRECTION OF TRAFFIC FLOW

**THIS SHEET IS NOT TO SCALE**

**PAVEMENT MARKING DETAILS SHEET 5**

PROJECT:	<b>STATEWIDE</b>	PROJECT NO.:	<b>NHG MARK (203)</b>
DESIGN FILE NAME:	09b004.dgn	PLOT DATE:	17-JUL-2009
IPARM FILE NAME:	09b004pm5.1	SURVEY DATE:	
SURVEYED BY:		DRAWN BY:	KAS
SQUAD LEADER:	A GAMBLE	SHEET:	13 OF 13