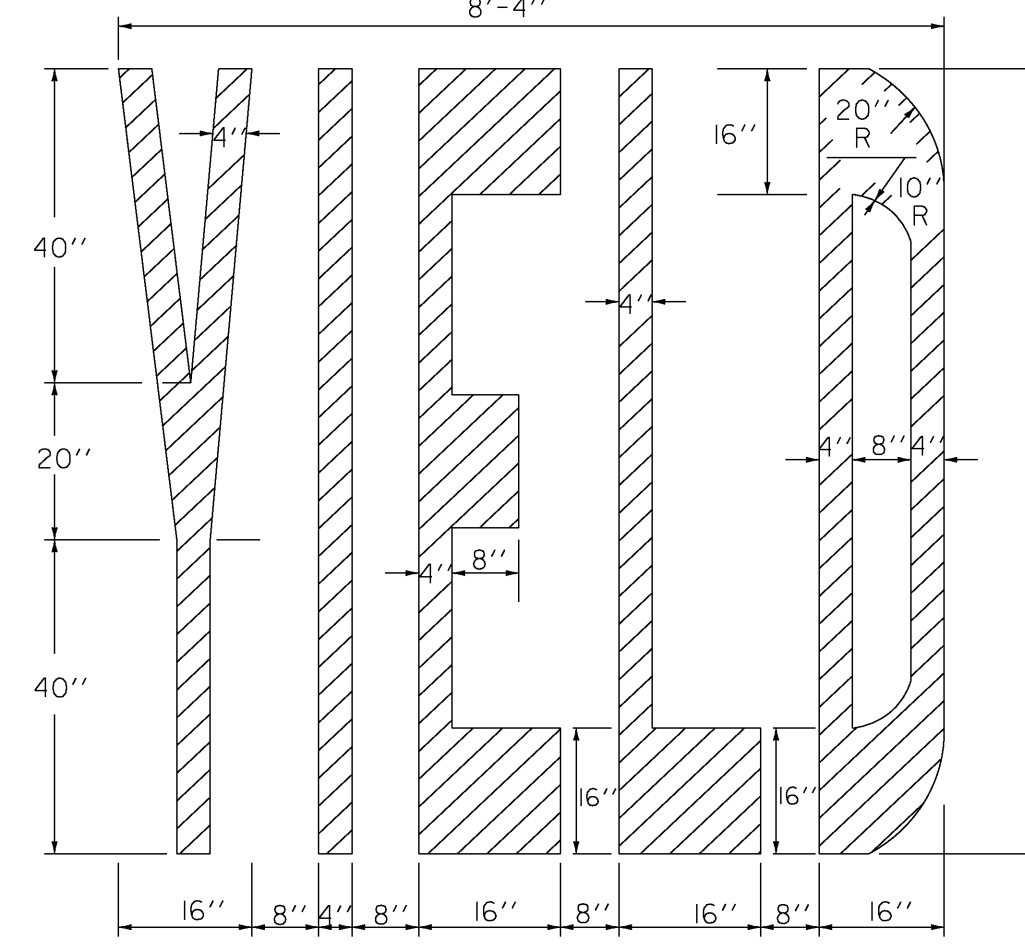
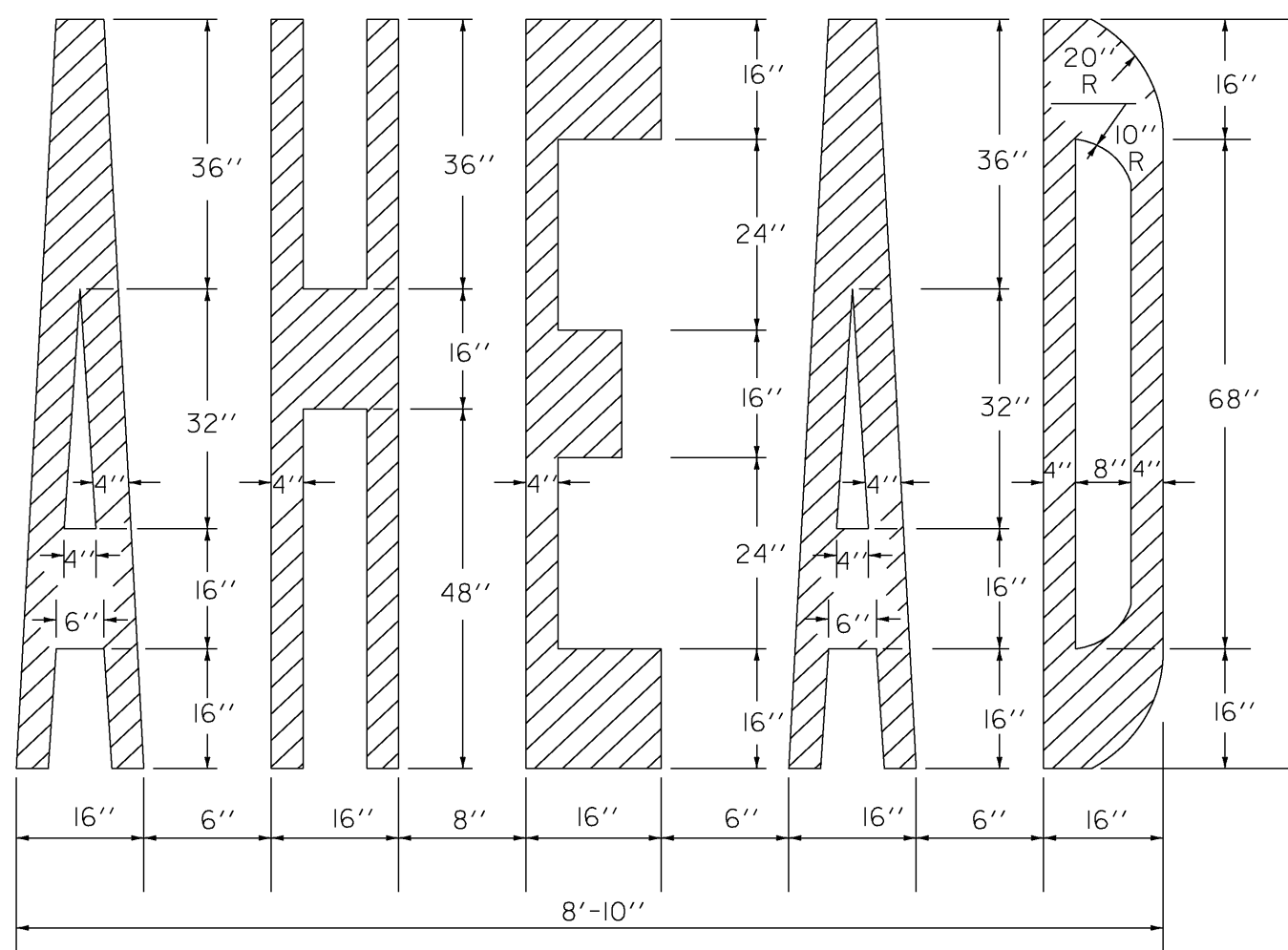


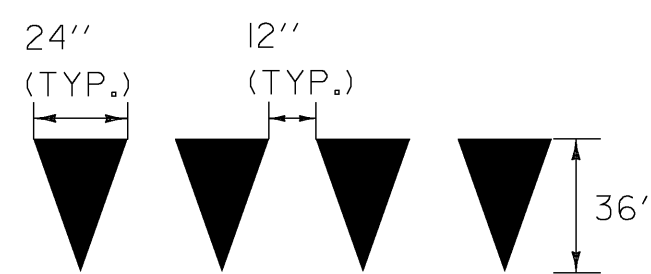
\* (4'-8'') - ADJUST TO AVAILABLE PAVEMENT WIDTH



**SIGNAL**  
6" LETTER SPACING

**LETTER HEIGHT**  
DIMENSIONS ARE FOR 8' - 4" LETTER HEIGHTS. A LESSER HEIGHT OF 8' - 0" IS ACCEPTABLE AS LONG AS THE DIMENSIONS ARE PROPORTIONAL TO THE DETAILS SHOWN. SEE NOTE BELOW.

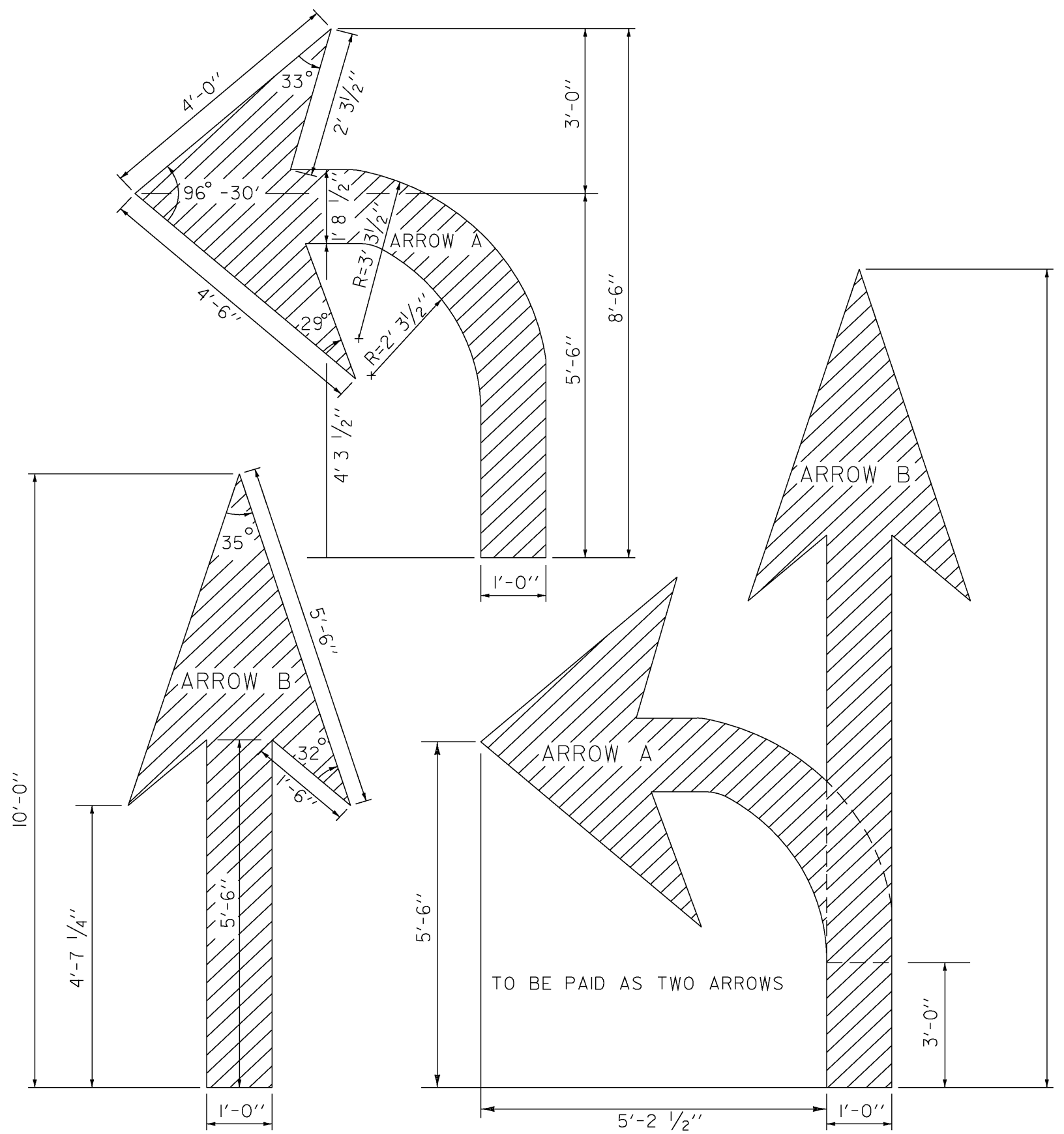
THE LETTER "O" PERTAINS TO THE WORD "SIGNAL". FOR OTHER LETTERS, SEE ABOVE.



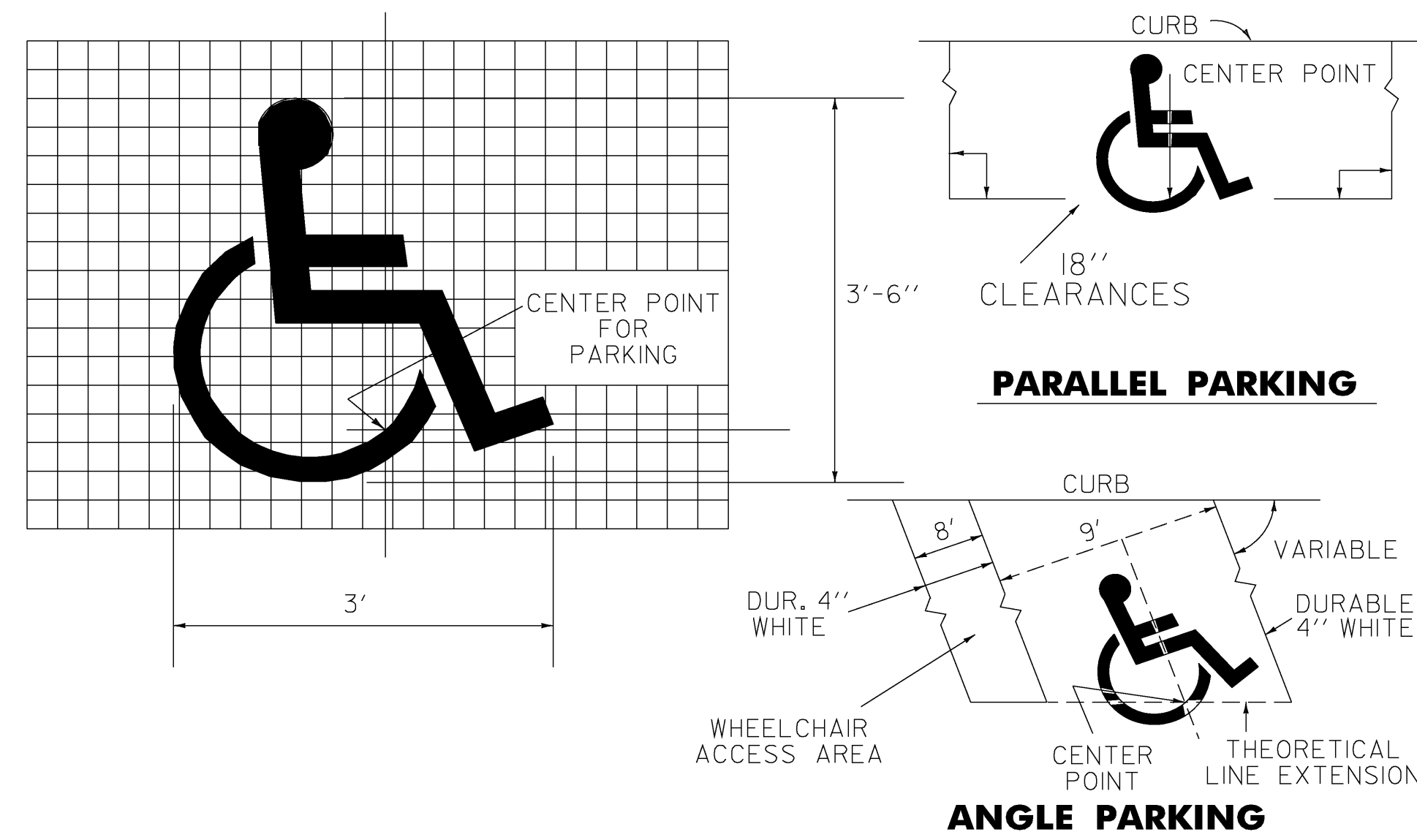
**YIELD LINE DETAILS**

ARROWS AND WORD MARKINGS THAT CONFORM TO THE DIMENSIONS SHOWN ON THIS SHEET OR AS DETAILED IN THE BOOKLET ENTITLED "STANDARD ALPHABETS FOR HIGHWAY SIGNS AND PAVEMENT MARKINGS" AND THE "MANUAL ON UNIFORM TRAFFIC CONTROL DEVICES" (CURRENT EDITION) PREPARED BY THE FEDERAL HIGHWAY ADMINISTRATION WILL BE ACCEPTABLE.

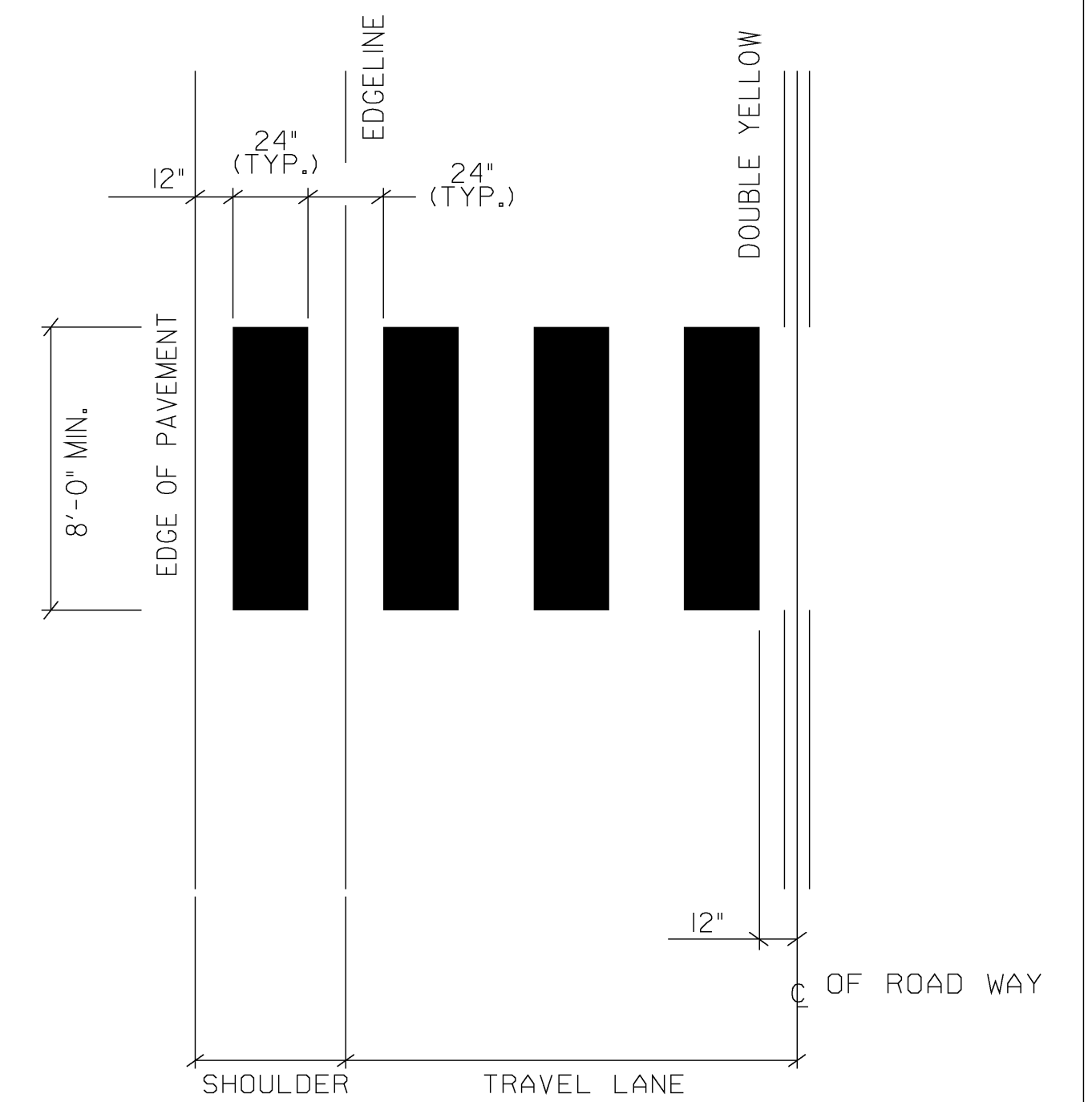
**LETTER IN WORD MARKING AND YIELD LINE DETAILS**



**ARROW DETAILS**



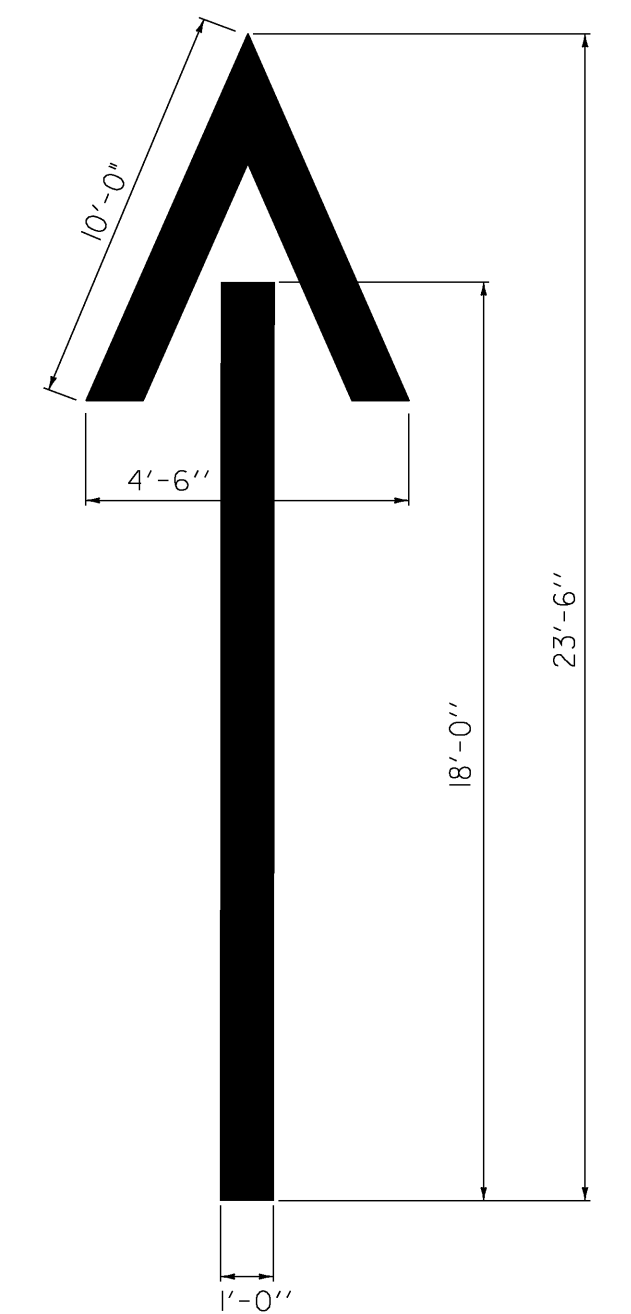
**HANDICAPPED PAVEMENT MARKING DETAILS**



ADJUST SPACING (1 - 2 FT) TO AVOID WHEEL PATHS

**BLOCK PATTERN CROSSWALK DETAIL**

NOTES:  
THE BLOCK PATTERN IS THE VTRANS PREFERRED CROSSWALK MARKINGS. SEE MUTCD FOR APPROVED OPTIONS.



**WRONG WAY ARROW**

# PAVEMENT MARKING DETAILS

**PAVEMENT MARKING  
DETAILS  
SHEET 2**

PROJECT: **STATEWIDE**

DESIGN FILE NAME: 09b004.dgn  
IPARM FILE NAME: 09b004pm2.1  
SURVEYED BY:  
SQUAD LEADER: A GAMBLE

PROJECT NO.: **NHG MARK (203)**

PLOT DATE: 17-JUL-2009  
SURVEY DATE:  
DRAWN BY: KAS  
SHEET: 10 OF 13

**THIS SHEET IS  
NOT TO SCALE**