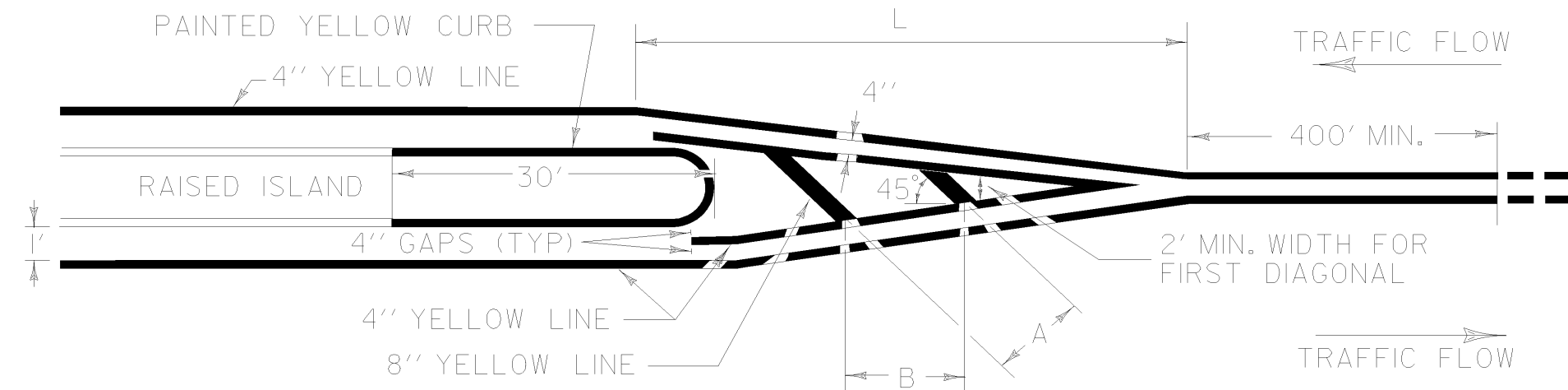


NOTE:

A SOLID LINE IN THE DIRECTION OF TRAVEL BEGINS AT A LOCATION 400 FEET MIN. IN ADVANCE OF THE BEGIN TAPER FOR THE PAVEMENT WIDTH TRANSITION. PASSING ZONE SHOWN FOR REFERENCE ONLY, ACTUAL MARKINGS BASED ON FIELD CONDITIONS.

$L = \frac{WS^2}{60}$ WHEN S = 40 MPH OR LESS
 $L = WS$ WHEN S = 45 MPH OR GREATER

EDGELINES SHALL BE 1' - 0" MIN. FROM CURB



RAISED ISLAND APPROACH MARKINGS

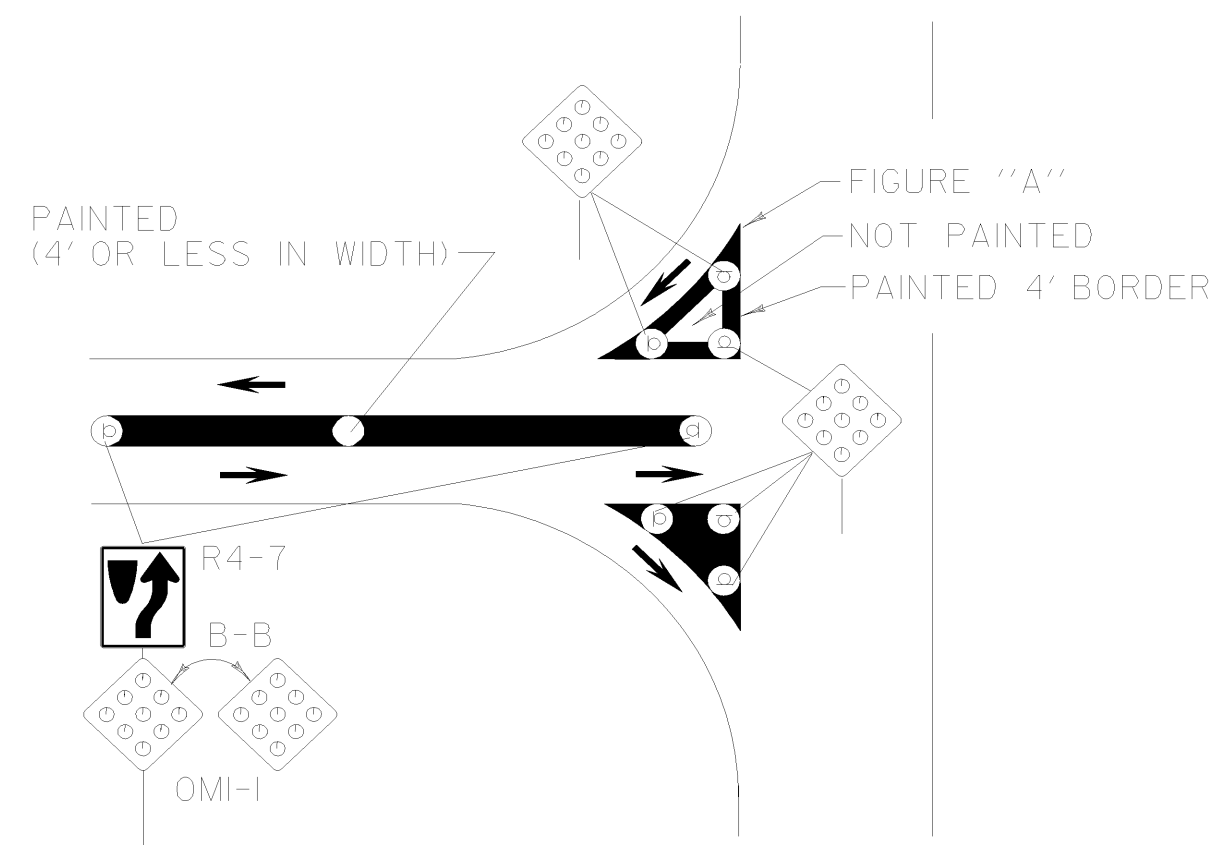
DIMENSIONS		CONDITIONS FOR USE	
A	B		
5'	7'	LOW SPEED OR HIGH SPEED/W POOR SIGHT DISTANCE, <200'	WHERE LENGTH OF DIAGONAL AREA IS 75' MAX.
10'	14'	HIGH SPEED AND GOOD SIGHT DISTANCE, ≥200'	WHERE LENGTH OF DIAGONAL AREA EXCEEDS 75'

THE FOLLOWING GUIDELINES WILL BE USED WHEN PAINTING ISLANDS ON STATE HIGHWAYS AND RECOMMENDED FOR ISLANDS ON OTHER SYSTEMS WITHIN THE STATE.

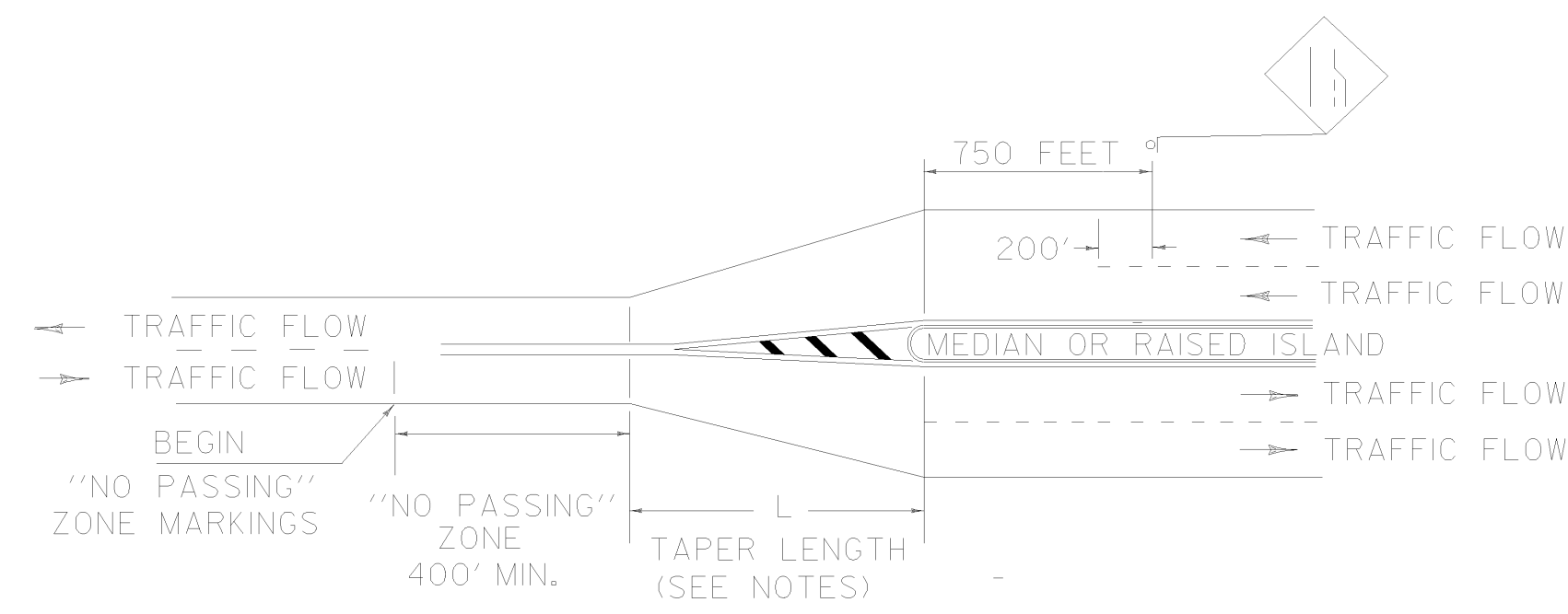
I. PAINTING: ISLANDS WHICH ARE FOUR FEET OR LESS IN WIDTH AND TRIANGULAR ISLANDS WHICH ARE LESS THAN FOUR HUNDRED AND FIFTY SQUARE FEET SHALL BE PAINTED ENTIRELY. TRIANGULAR ISLANDS WHICH ARE FOUR HUNDRED AND FIFTY SQUARE FEET AND LARGER SHALL BE PAINTED WITH A FOUR FOOT BORDER AS SHOWN ON FIGURE "A" BELOW.

II. SIGNS: ALL APPROACH NOSES TO THE ISLANDS IN THE LINE OF TRAFFIC WILL BE SIGNS WITH A KEEP RIGHT (R4-7) SIGN AS WELL AS OBJECT MARKERS (OMI-1) PLACED BACK TO BACK TO INDICATE THE BEGINNING (END) OF THE ISLAND.

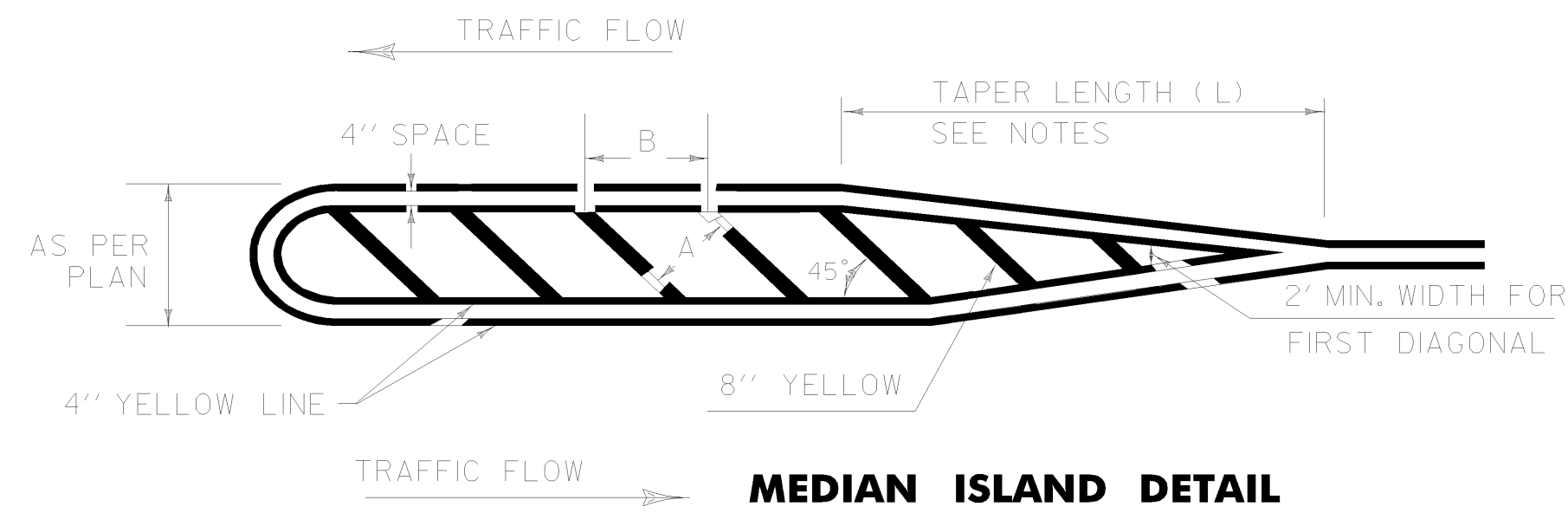
III. EXCEPTIONS: THERE WILL BE SPECIAL CASES WHICH REQUIRE AN EXCEPTION TO, OR MODIFICATION OF THIS GUIDELINE. THESE QUESTIONS SHOULD BE REFERRED TO THE ROADWAY, TRAFFIC AND SAFTY ENGINEER OR DELEGATED REPRESENTATIVE.



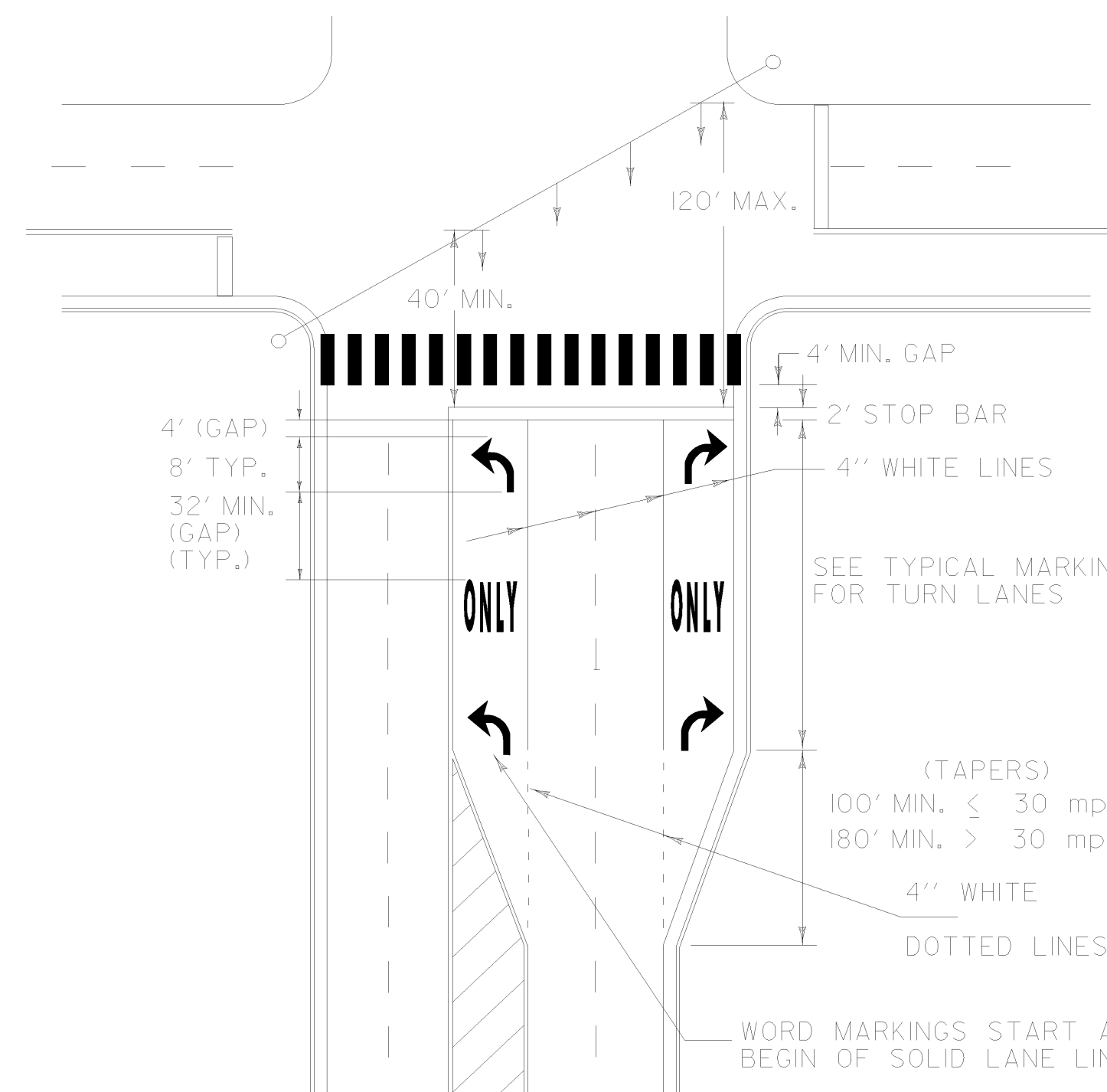
PAINTED RAISED ISLANDS



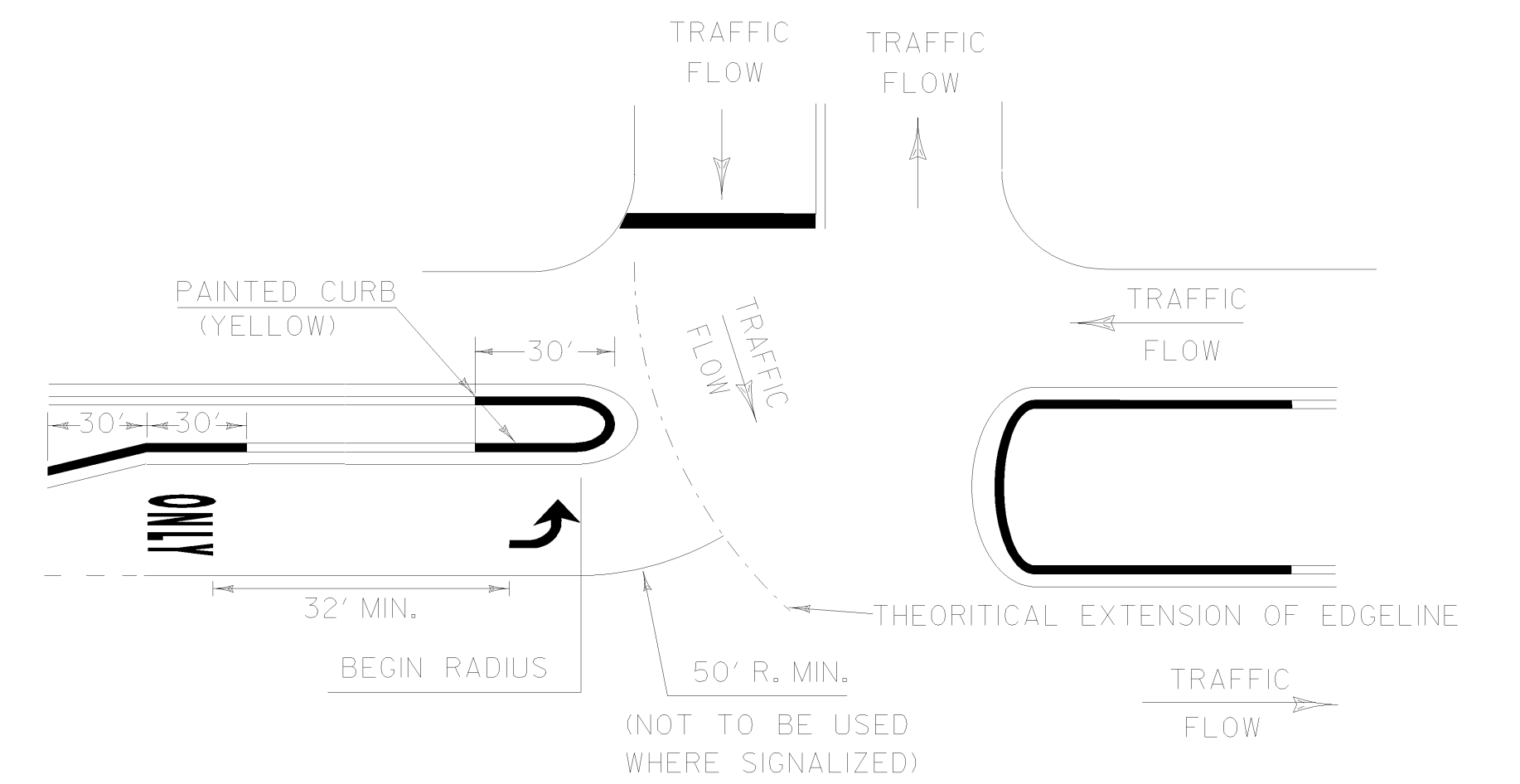
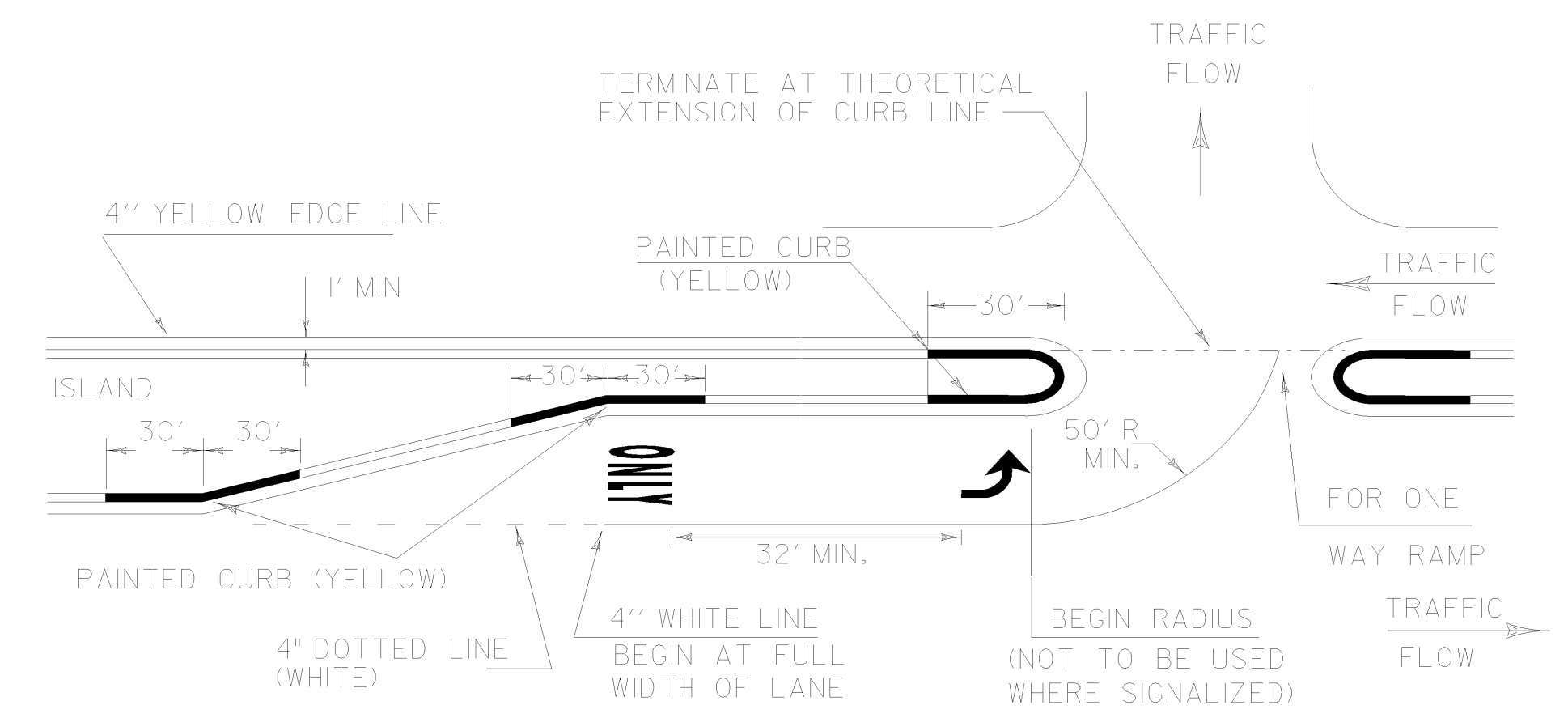
"NO PASSING" ZONE LAYOUT IN PAVEMENT WIDTH TRANSITIONS, TWO LANE HIGHWAY TO DIVIDED HIGHWAY



MEDIAN ISLAND DETAIL



TYPICAL MARKINGS FOR SIGNALIZED INTERSECTION



CURB SHALL BE PAINTED ON THE ISLAND NOSE AND TO A POINT 30 FEET FROM THE END OF THE ISLAND. IN ADDITION, CURB SHALL BE PAINTED 30 FEET FROM ANY CHANGE IN CURB DIRECTION.

TURN LANE AND PAINTED CURB DETAIL

TYPICAL MARKINGS FOR TURN LANES

EXCLUSIVE TURN (LEFT OR RIGHT) LANE(S) LINES SHALL BE SOLID AND EXTEND BACK FROM THE STOP LINE TO THE POINT OF FULL LANE WIDTH OF THE TURN LANE.

FOR DESIGN OF A LEFT OR RIGHT TURN LANE(S) REFER TO VTRANS "GUIDELINE FOR DETERMINING STORAGE, TAPER AND DECELERATION LENGTHS FOR LEFT AND RIGHT-TURN LANES AT INTERSECTIONS".

LEGEND(S) SHALL START AT THE BEGINNING OF SOLID LANE LINE.

THE "ONLY" WORD MARKING SHALL BE USED TO SUPPLEMENT LANE-USE ARROW MARKINGS.

IF LANE LENGTH IS LESS THAN 50 FEET ONLY ONE TURN ARROW PLACED AT THE BEGINNING OF THE SOLID LANE LINE IS REQUIRED.

THE LONGITUDINAL SPACE BETWEEN LEGENDS SHOULD NOT BE MORE THAN TEN TIMES THE HEIGHT OF THE CHARACTERS UNDER ANY CONDITIONS.

A SECOND "ONLY" IS OPTIONAL WHEN SPACE PERMITS. MARKINGS START AT THE BEGINNING OF THE SOLID LANE LINE.

THIS SHEET IS NOT TO SCALE

PAVEMENT MARKING
 DETAILS

PAVEMENT MARKING DETAILS SHEET 3	PROJECT: STATEWIDE	PROJECT NO.: NHG MARK (202)
	DESIGN FILE NAME: 09b002.dgn IPARM FILE NAME: 09b002pm3.f SURVEYED BY: SQUAD LEADER: A GAMBLE	PLOT DATE: 25-MAR-2009 SURVEY DATE: DRAWN BY: KAS SHEET: 8 OF 10