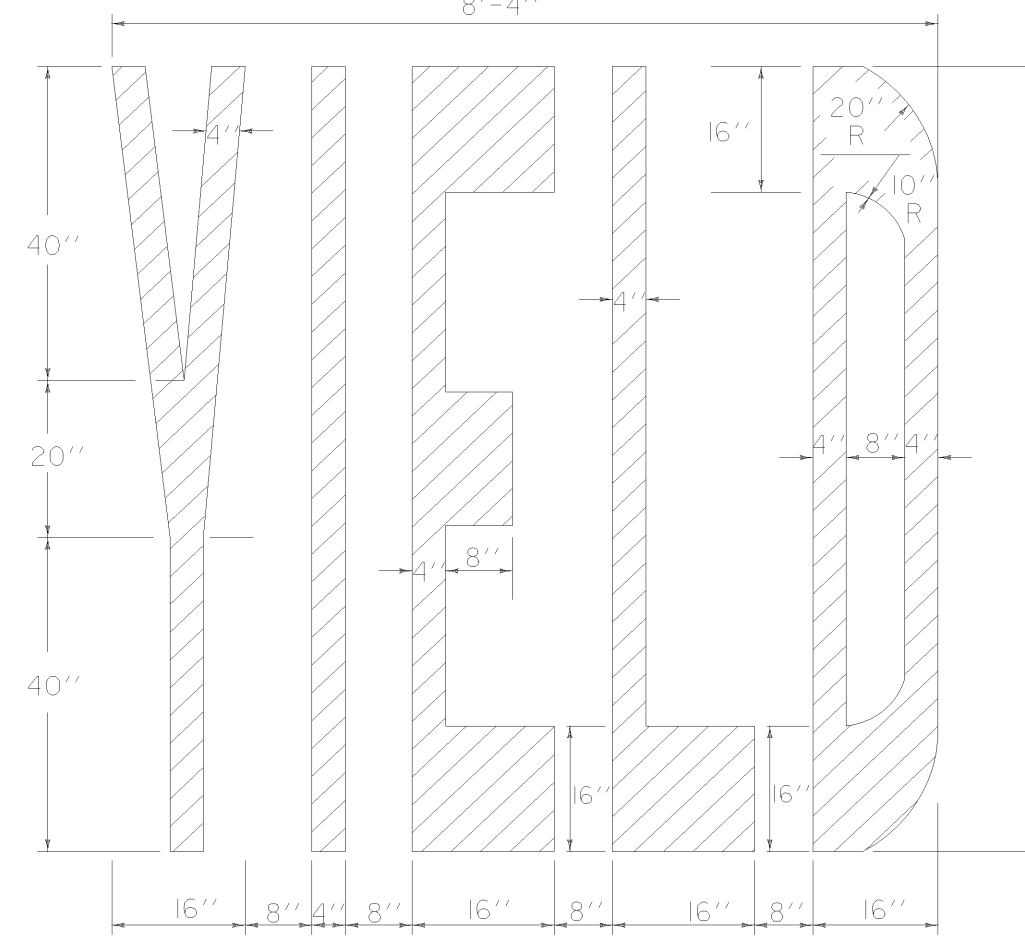
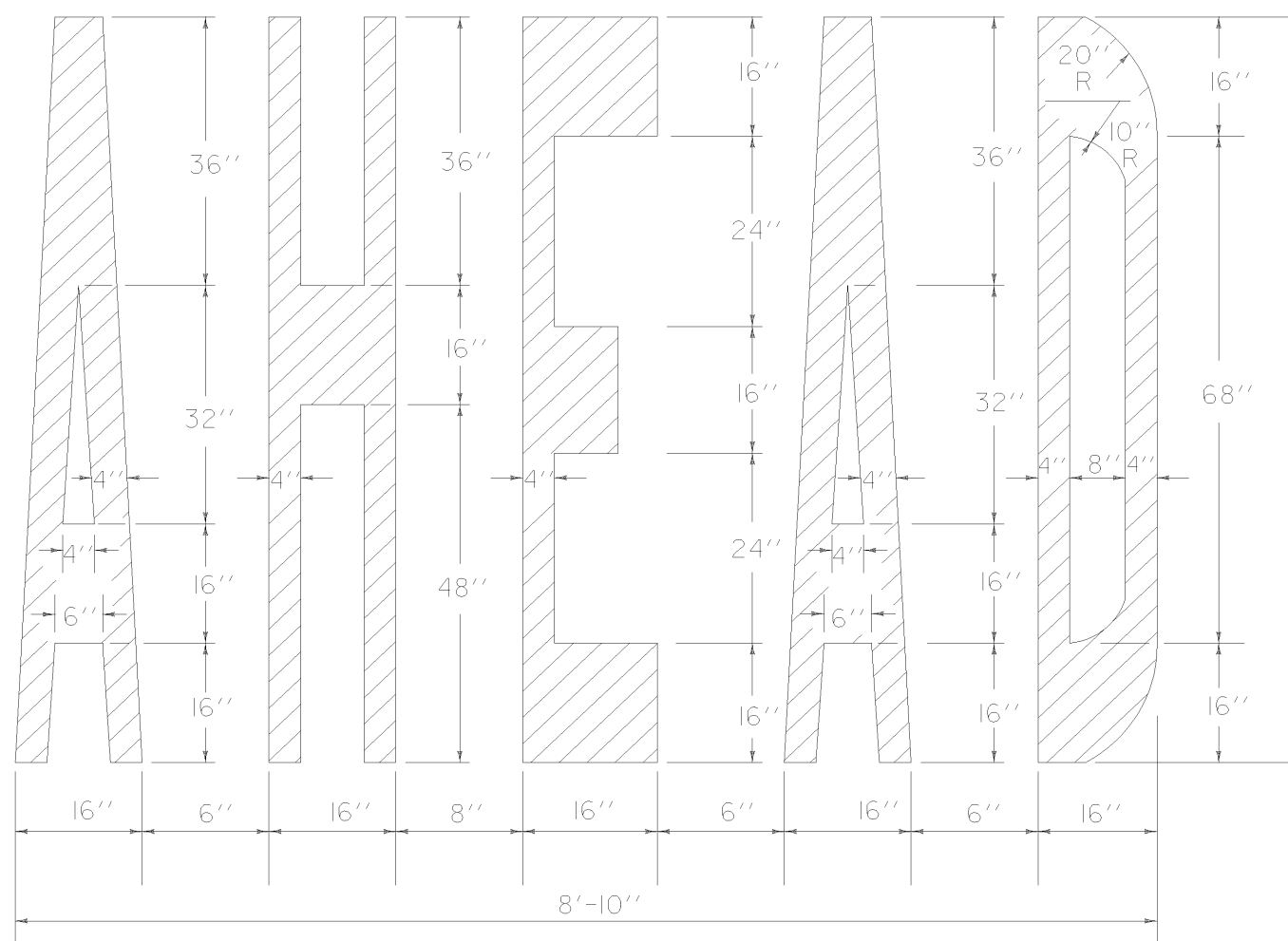
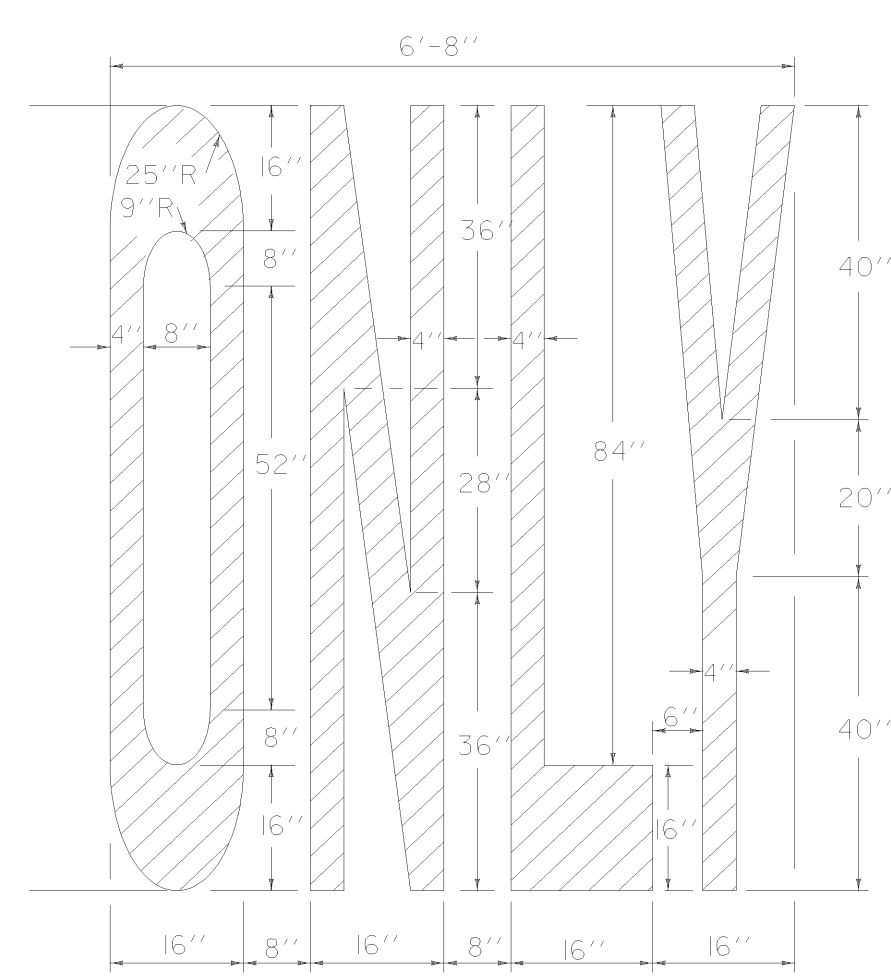


* (4'-8'') - ADJUST TO AVAILABLE PAVEMENT WIDTH

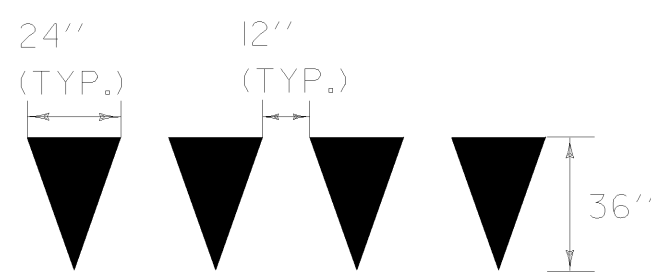


SIGNAL
9' - 6"
6" LETTER SPACING

LETTER HEIGHT

DIMENSIONS ARE FOR 8' - 4" LETTER HEIGHTS; A LESSER HEIGHT OF 8' - 0" IS ACCEPTABLE AS LONG AS THE DIMENSIONS ARE PROPORTIONAL TO THE DETAILS SHOWN. SEE NOTE BELOW.

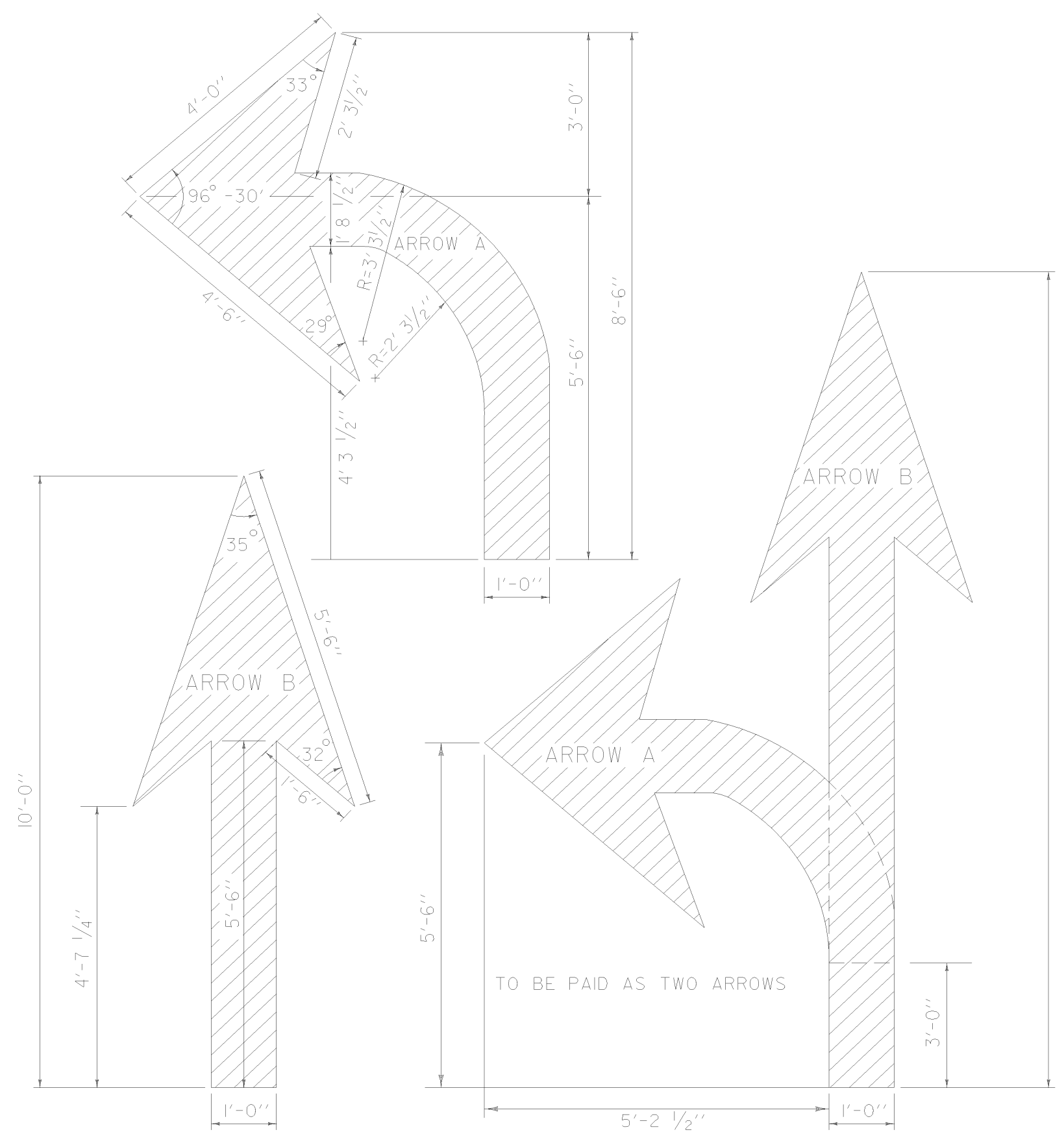
THE LETTER "C" PERTAINS TO THE WORD "SIGNAL" FOR OTHER LETTERS, SEE ABOVE.



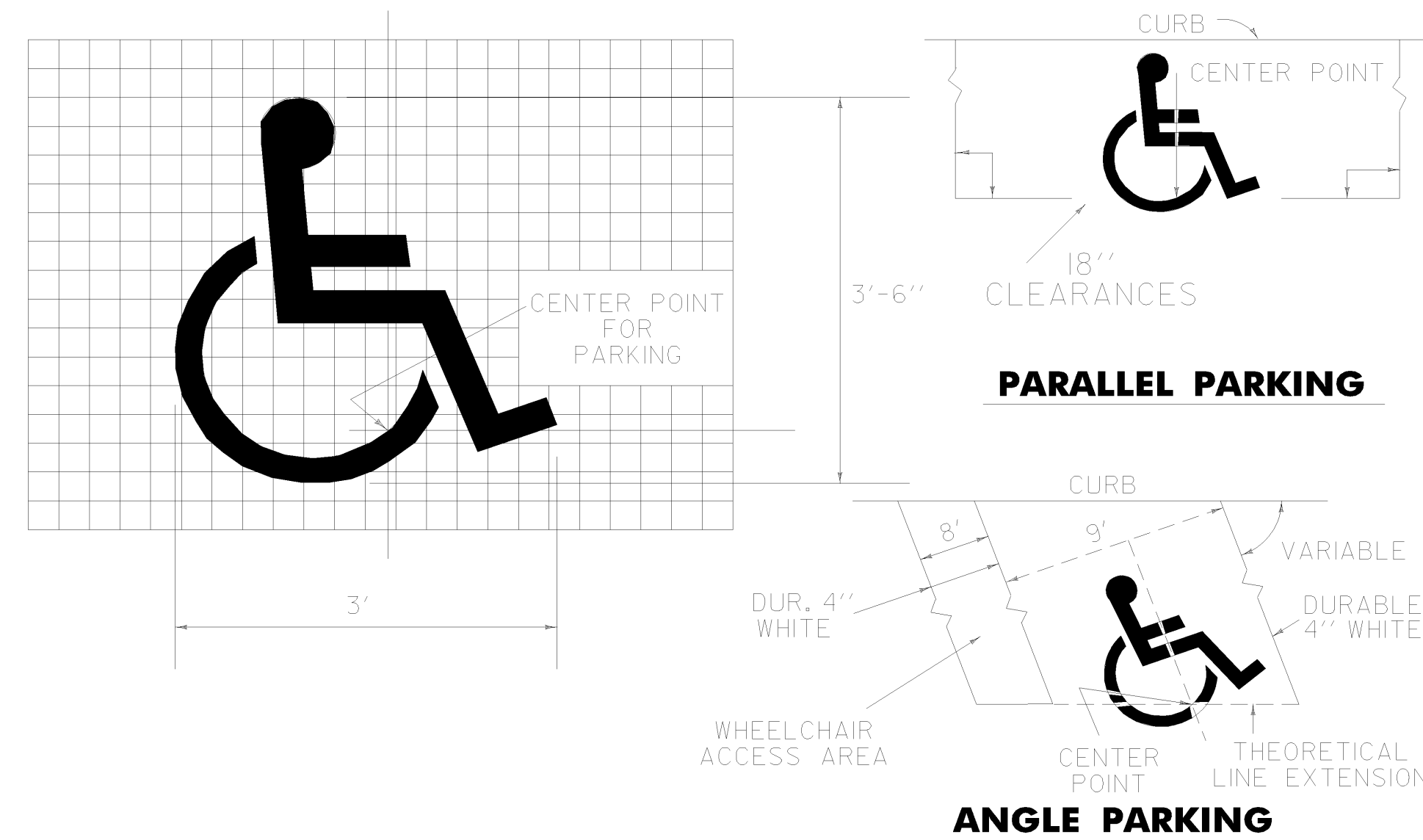
YIELD LINE DETAILS

ARROWS AND WORD MARKINGS THAT CONFORM TO THE DIMENSIONS SHOWN ON THIS SHEET OR AS DETAILED IN THE BOOKLET ENTITLED "STANDARD ALPHABETS FOR HIGHWAY SIGNS AND PAVEMENT MARKINGS" AND THE "MANUAL ON UNIFORM TRAFFIC CONTROL DEVICES" (CURRENT EDITION) PREPARED BY THE FEDERAL HIGHWAY ADMINISTRATION WILL BE ACCEPTABLE.

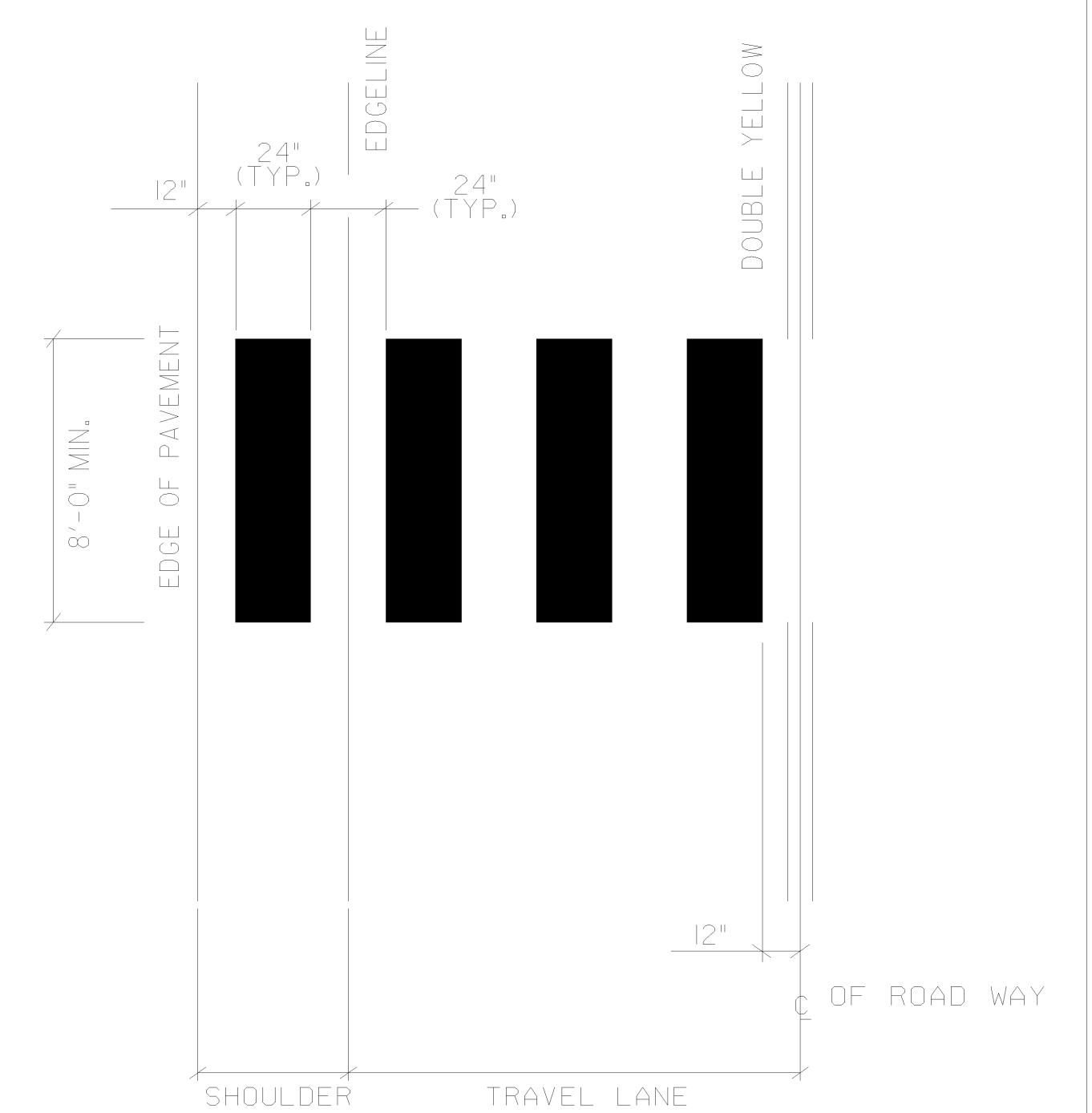
LETTER IN WORD MARKING AND YIELD LINE DETAILS



ARROW DETAILS



HANDICAPPED PAVEMENT MARKING DETAILS

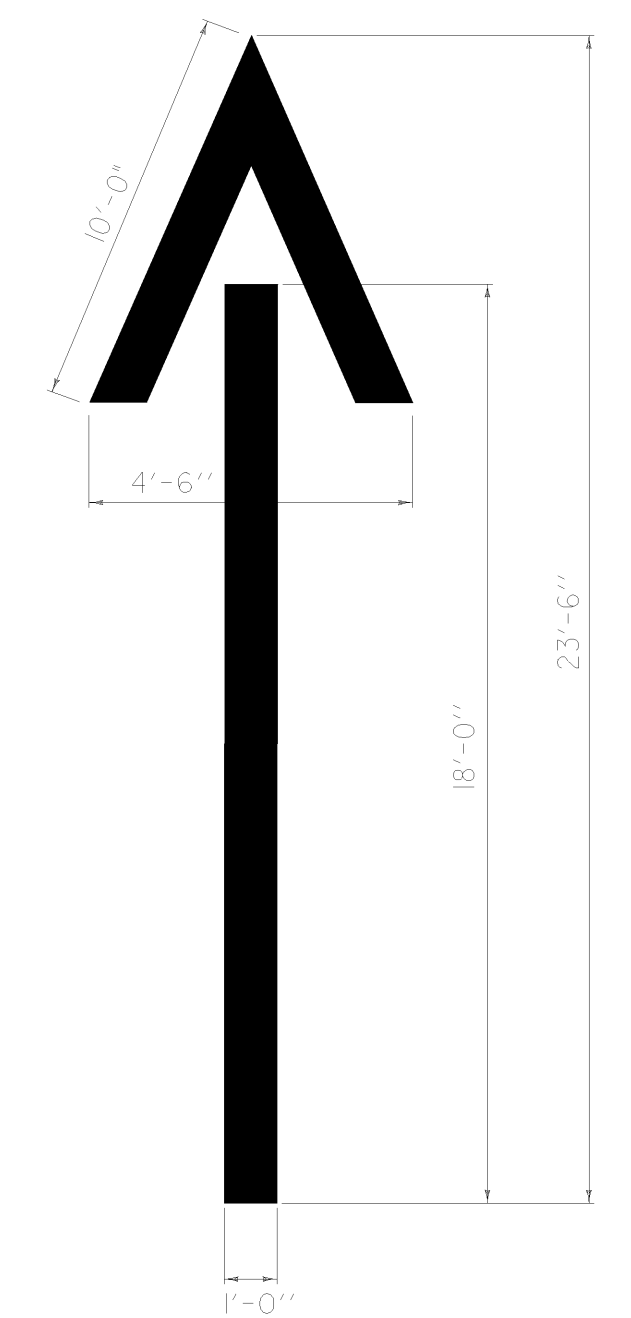


ADJUST SPACING (1 - 2 FT) TO AVOID WHEEL PATHS

BLOCK PATTERN CROSSWALK DETAIL

NOTES:

THE BLOCK PATTERN IS THE VTRANS PREFERRED CROSSWALK MARKINGS. SEE MUTCD FOR APPROVED OPTIONS.



WRONG WAY ARROW

PAVEMENT MARKING DETAILS

PAVEMENT MARKING DETAILS SHEET 2

PROJECT:	STATEWIDE	PROJECT NO.:	NHG MARK (202)
DESIGN FILE NAME:	09b002.dgn	PLOT DATE:	25-MAR-2009
IPARM FILE NAME:	09b002pm2.i	SURVEY DATE:	
SURVEYED BY:		DRAWN BY:	KAS
SQUAD LEADER:	A GAMBLE	SHEET:	7 OF 10

THIS SHEET IS NOT TO SCALE