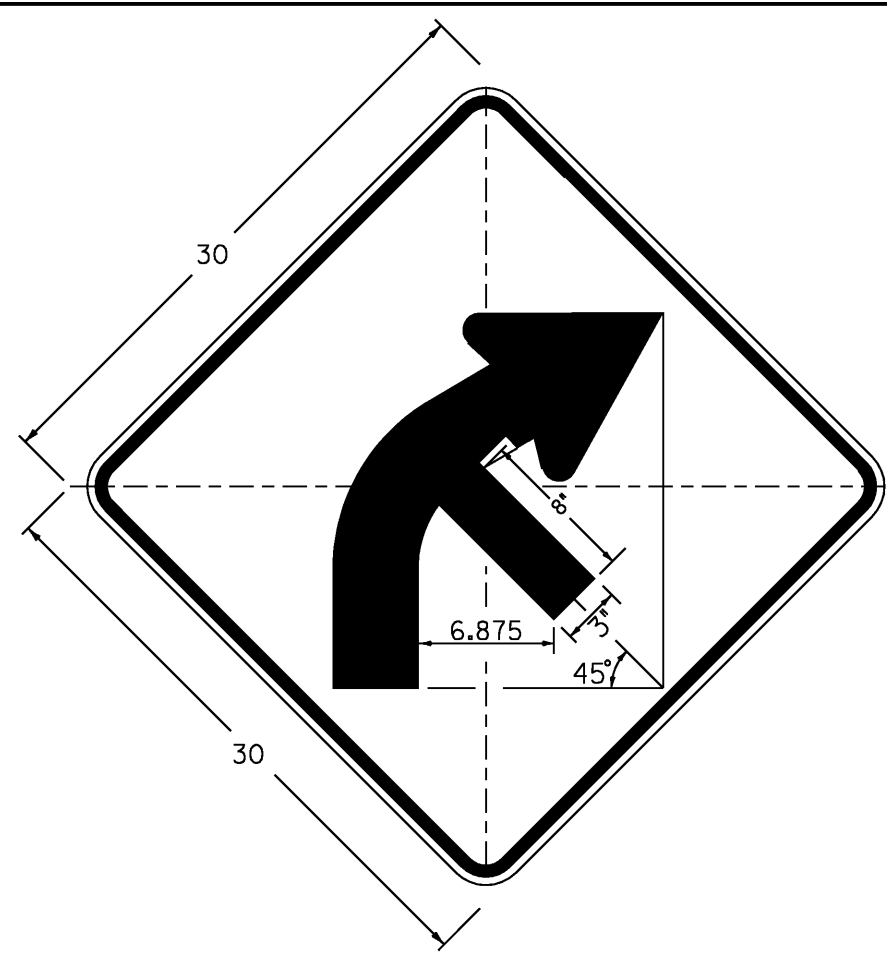


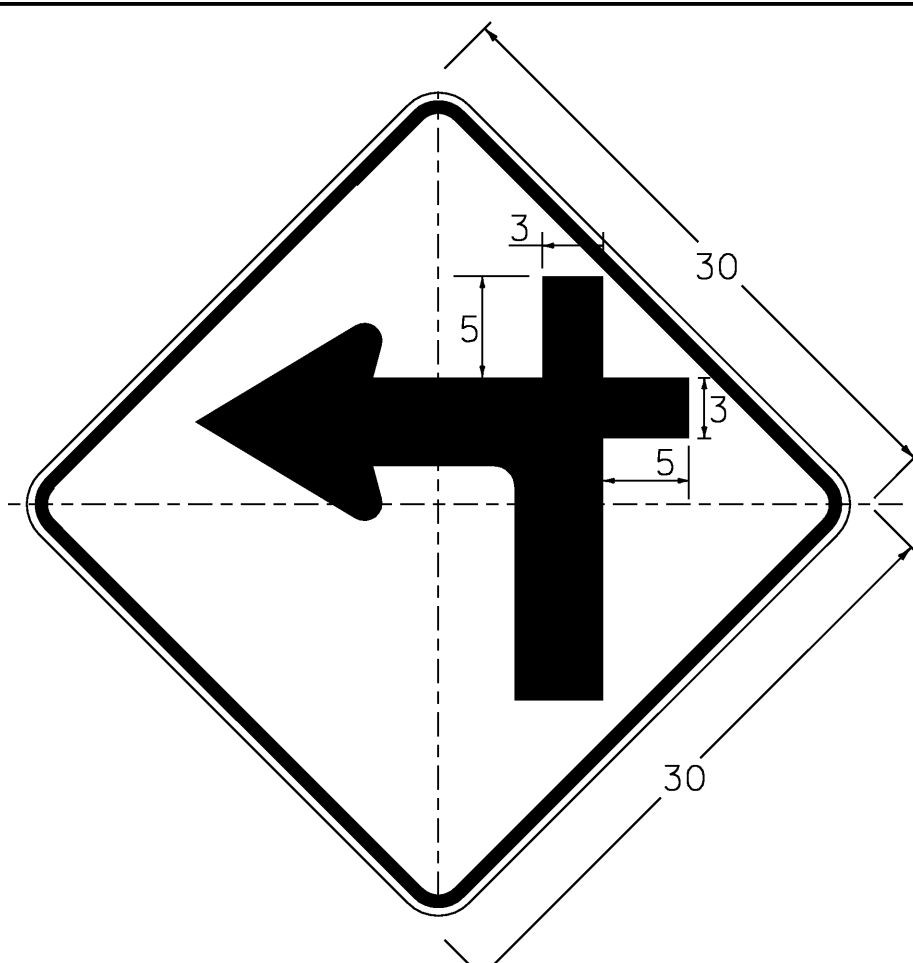
W1-1Ma L(R)

DIMENSIONS NOT SHOWN
FOR THIS DETAIL SHALL CONFORM
TO THE LATEST EDITION OF THE 2003 MUTCD
FOR SIGN DETAIL W1-1.
UNLESS OTHERWISE NOTED FOR THIS DETAIL



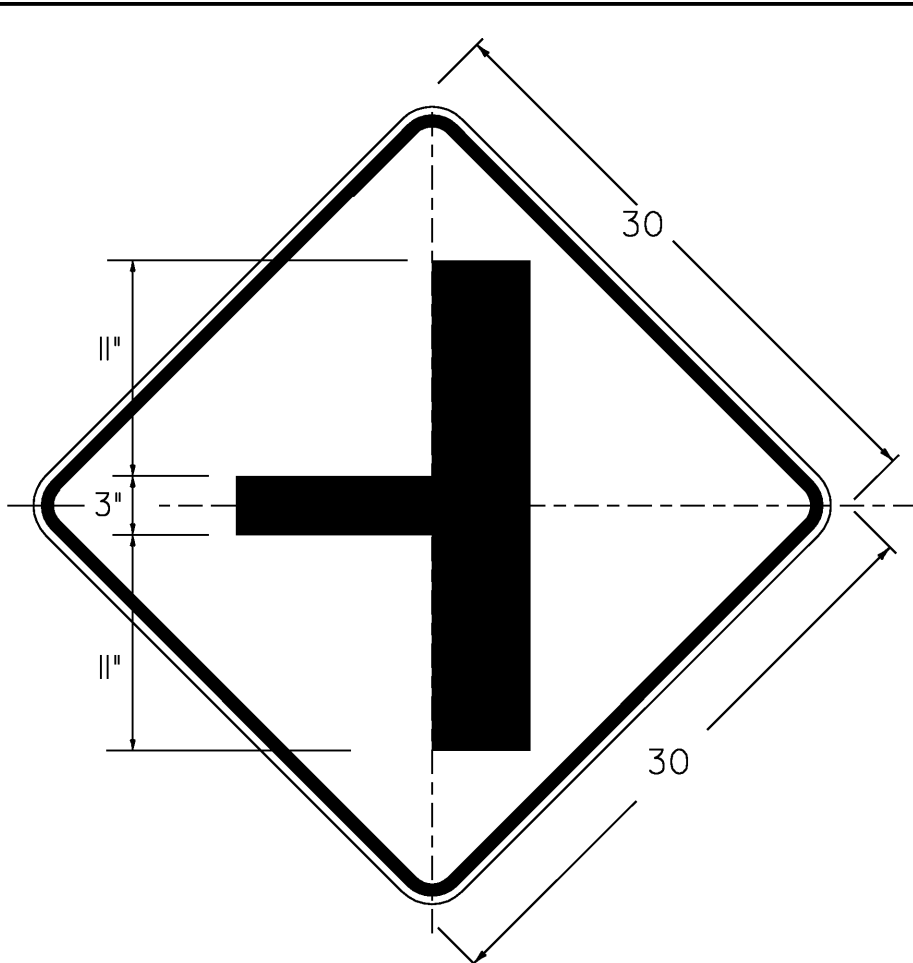
W1-2Mb R(L)

DIMENSIONS NOT SHOWN
FOR THIS DETAIL SHALL CONFORM
TO THE LATEST EDITION OF THE 2003 MUTCD
FOR SIGN DETAIL W1-2.
UNLESS OTHERWISE NOTED FOR THIS DETAIL



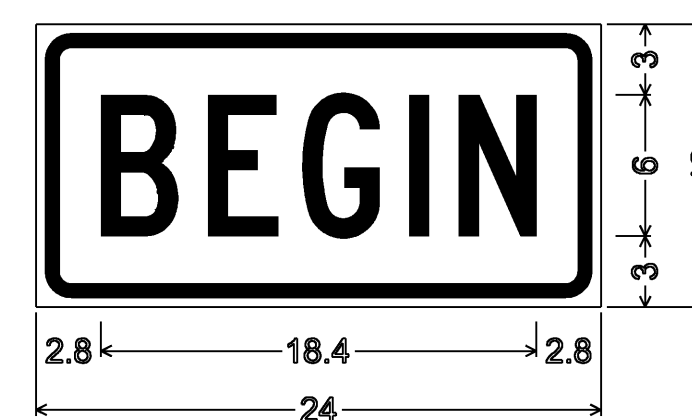
W1-1Mc L(R)

DIMENSIONS NOT SHOWN
FOR THIS DETAIL SHALL CONFORM
TO THE LATEST EDITION OF THE 2003 MUTCD
FOR SIGN DETAIL W1-1.
UNLESS OTHERWISE NOTED FOR THIS DETAIL



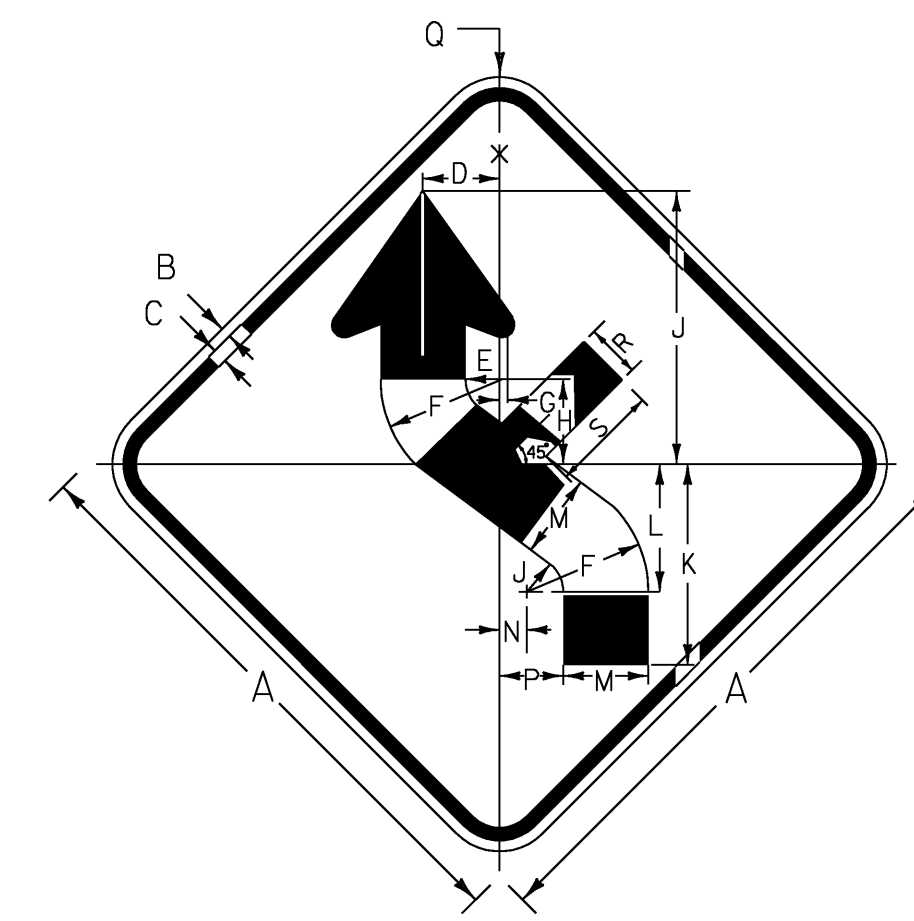
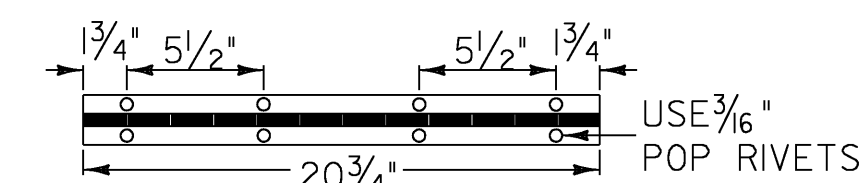
W2-2Ma L(R)

DIMENSIONS NOT SHOWN
FOR THIS DETAIL SHALL CONFORM
TO THE LATEST EDITION OF THE 2003 MUTCD
FOR SIGN DETAIL W2-2.
UNLESS OTHERWISE NOTED FOR THIS DETAIL



1.5" RADIUS, 0.625" BORDER, 0.375" INDENT
COLORS: LEGEND - RED
BACKGROUND - WHITE
TEXT STYLE: "BEGIN" C

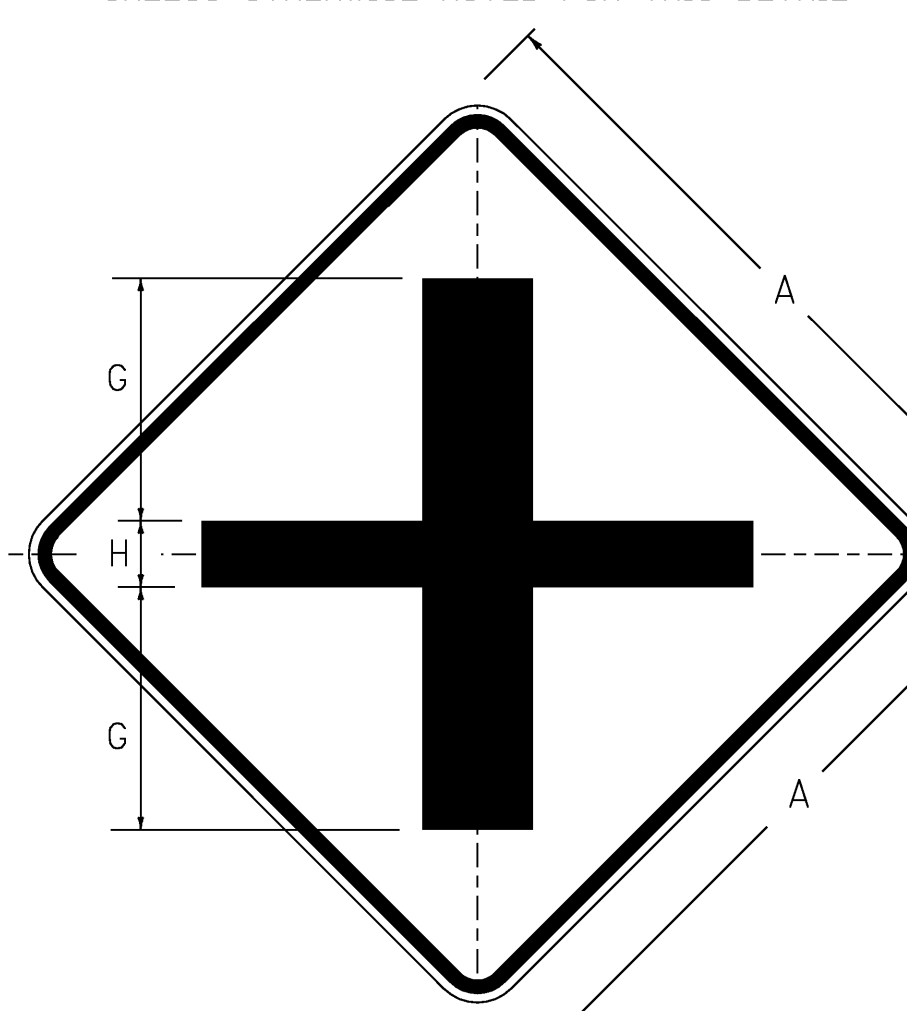
VR-644p



W1-4ML(R)

COLORS: LEGEND - BLACK
BACKGROUND - YELLOW

SIGN	DIMENSIONS (INCHES)																
	A	B	C	D	E	F	G	H	J	K	L	M	N	P	Q	R	S
STD.	30	1/2	3/4	3 5/8	1 1/8	6 1/4	3/8	4 3/8	14 1/16	10 5/8	6 3/8	4 3/8	1 1/8	3 3/32	1 1/8	2 1/2	6
EXPWY	36	5/8	7/8	4 2 3/32	2 1/4	7 1/2	5/32	5 1/4	16 3/8	12 3/8	7 7/8	5 1/4	1 1/8	3 1/16	2 1/4	3	8
FWY	48	3/4	1 1/4	6 5/8	3	10	5/8	7	22 1/2	16 1/2	10 1/2	7	2 1/4	5 1/4	3	4	10



W2-1Mb

DIMENSIONS NOT SHOWN
FOR THIS DETAIL SHALL CONFORM
TO THE LATEST EDITION OF THE 2003 MUTCD
FOR SIGN DETAIL W2-1.
UNLESS OTHERWISE NOTED FOR THIS DETAIL

SIGN	DIMENSIONS (IN)		
	A	G	H
MIN & STD.	30	11	3
SPECIAL	36	13	4



VW-268

COLORS: LEGEND - BLACK
BACKGROUND - YELLOW
* REDUCE SPACING BY 25%

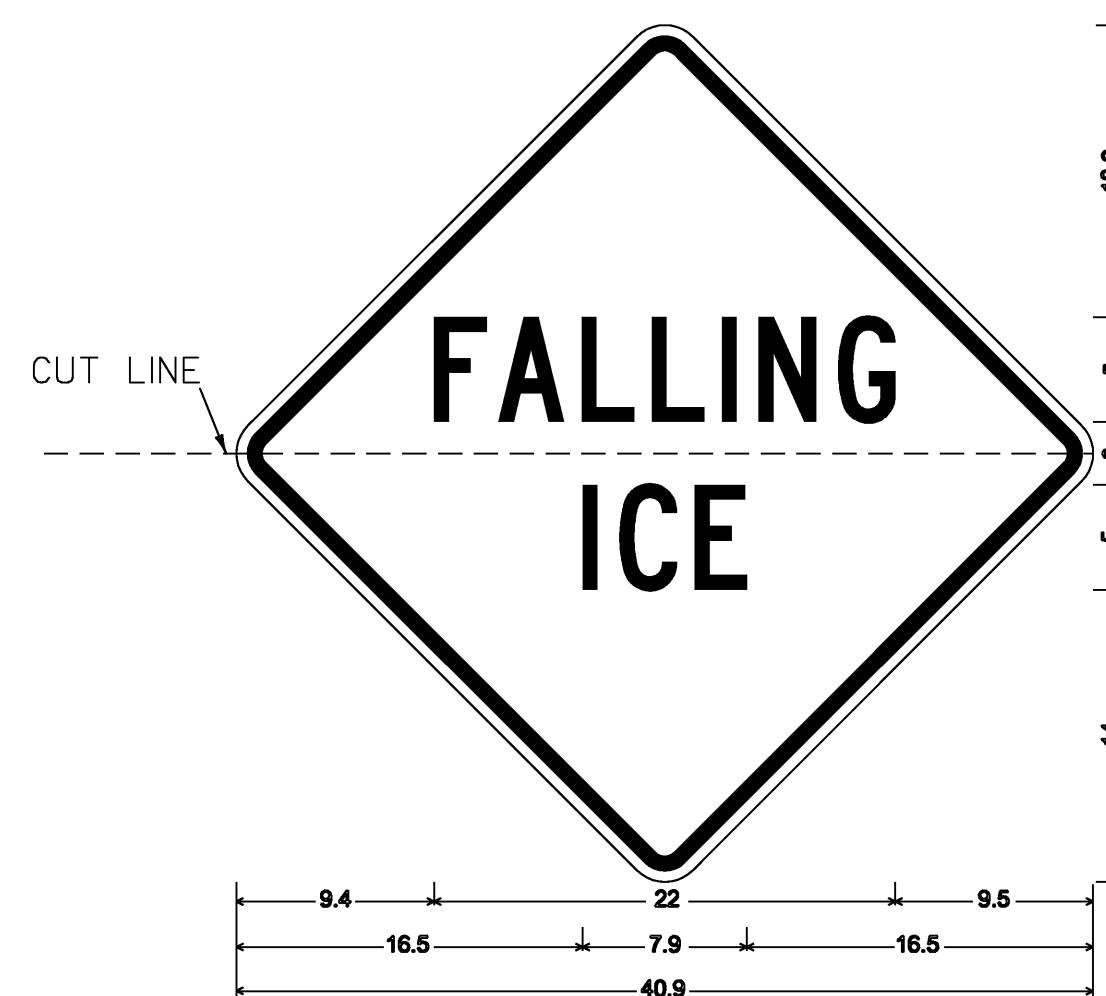
SIGN	DIMENSIONS (INCHES)										
	A	B	C	D	E	F	G	H	J	K	
MIN	30	3/8	5/8	5B*	3 3/4	1 3/4	5C*	1 7/8	15 1/4	8 5/8	
STD	36	5/8	7/8	6B	4	2	6C*	2 1/4	18 1/2	10 1/2	



VW-353

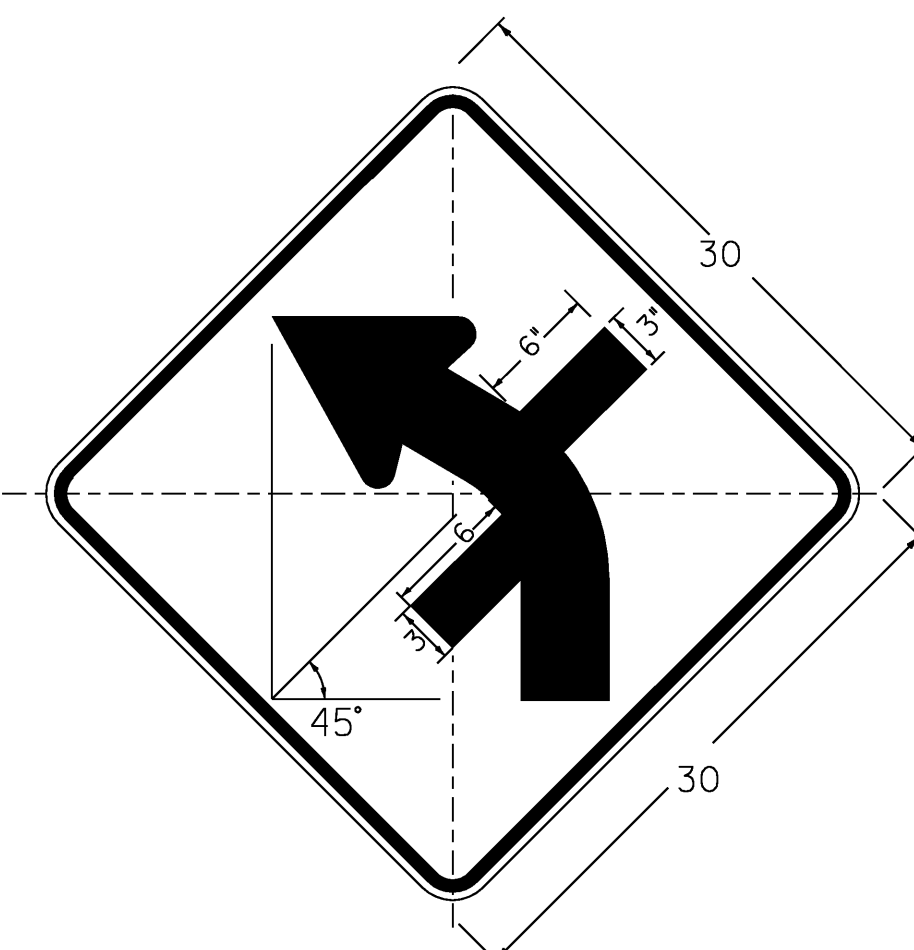
COLORS: LEGEND - BLACK
BACKGROUND - YELLOW

SIGN	DIMENSIONS (INCHES)									
	A	B	C	D	E	F	G	H	J	
STD.	30	1/2	3/4	5D	2 5/8	6 1/8	6 1/8	9 5/32	1 7/8	
EXPWY	36	3/8	7/8	6D	3 1/4	8	7 11/32	12 9/32	2 1/4	
FWY	48	3/4	1 1/4	8D	4	8 9/32	10 1/32	3 29/32	3	



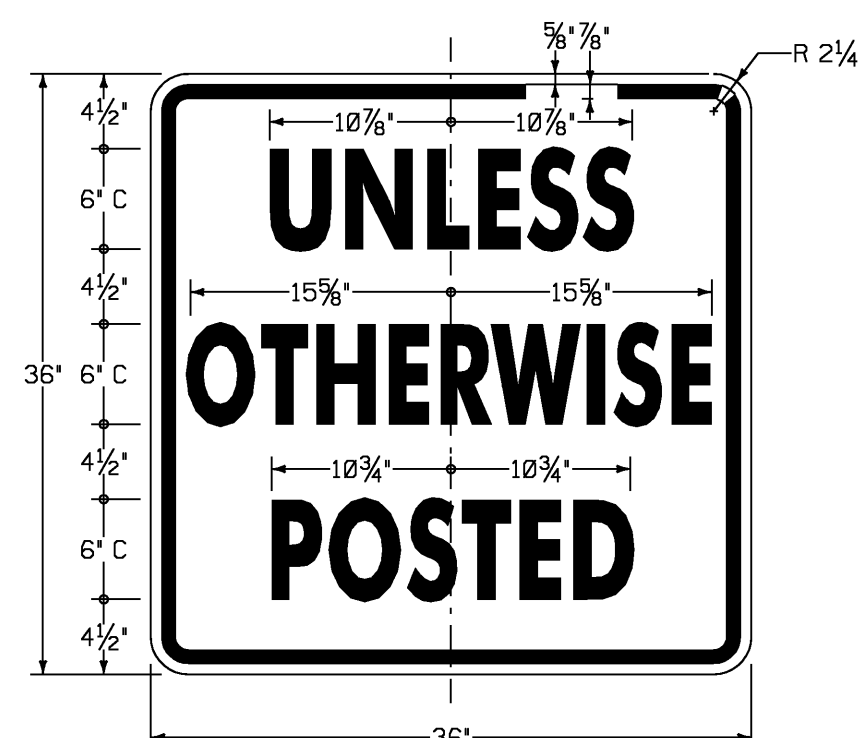
30" X 30" SIGN FACE
1.875" RADIUS, 0.75" BORDER, 0.50" INDENT
COLORS: LEGEND - BLACK
BACKGROUND - YELLOW
TEXT STYLE: "FALLING" C; "ICE" C

VW-347-H



W1-2Mk R(L)

DIMENSIONS NOT SHOWN
FOR THIS DETAIL SHALL CONFORM
TO THE LATEST EDITION OF THE 2003 MUTCD
FOR SIGN DETAIL W1-2.
UNLESS OTHERWISE NOTED FOR THIS DETAIL



VR-208

COLORS: LEGEND - BLACK
BACKGROUND - WHITE



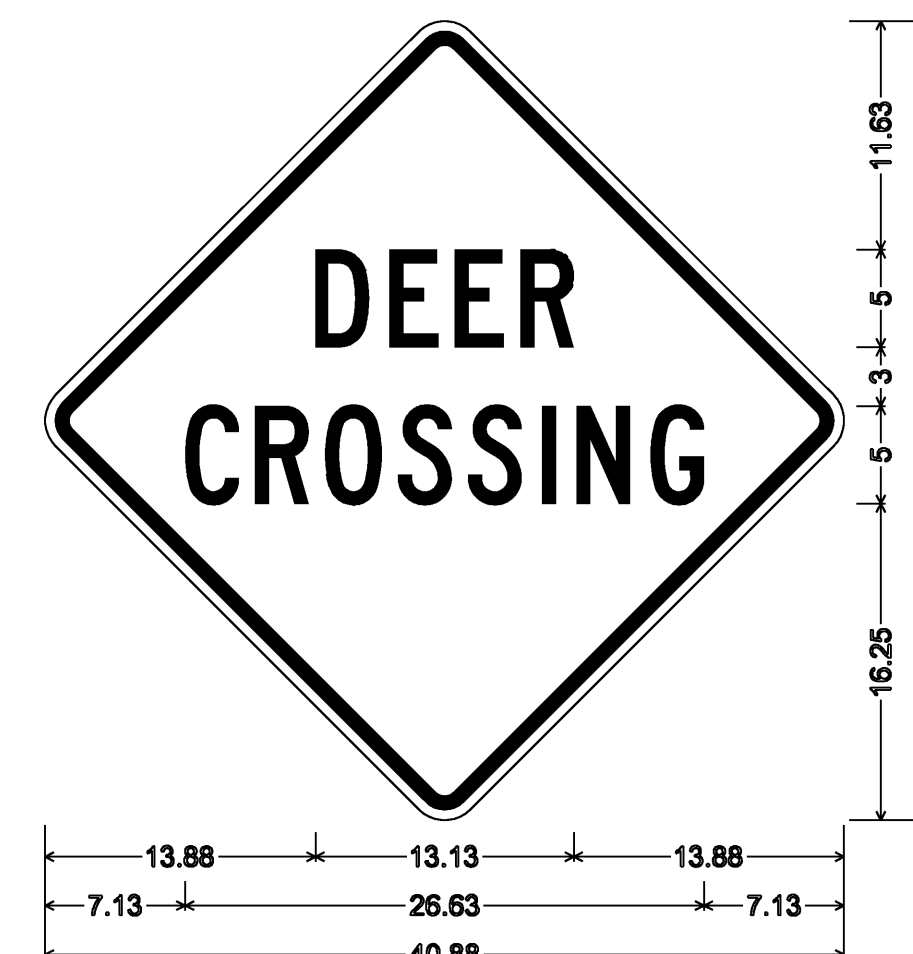
R2-1

1.5" RADIUS, 0.625" BORDER, 0.375" INDENT
COLORS: LEGEND - BLACK
BACKGROUND - WHITE
TEXT STYLE: "SPEED" E; "LIMIT" E; "40" E



VR-023b

* REDUCE SPACING 40%
** REDUCE SPACING 60%
COLORS: LEGEND - BLACK
BACKGROUND - WHITE



W11-3A

30" X 30" SIGN FACE
1.875" RADIUS, 0.75" BORDER, 0.50" INDENT
COLORS: LEGEND - BLACK
BACKGROUND - YELLOW
TEXT STYLE: "DEER" C; "CROSSING" C

PROJECT NAME: HARTFORD - EAST MONTPELIER

PROJECT NUMBER: STPG SIGN (2I)

FILE NAME: 09c024_TS.DGN
PROJECT LEADER: N. AVERY
DESIGNED BY: N. AVERY
SIGN DETAILS 2

PLOT DATE: 11-JUN-2009
DRAWN BY: N. AVERY
CHECKED BY: A. GAMBLE
SHEET 6 OF 162