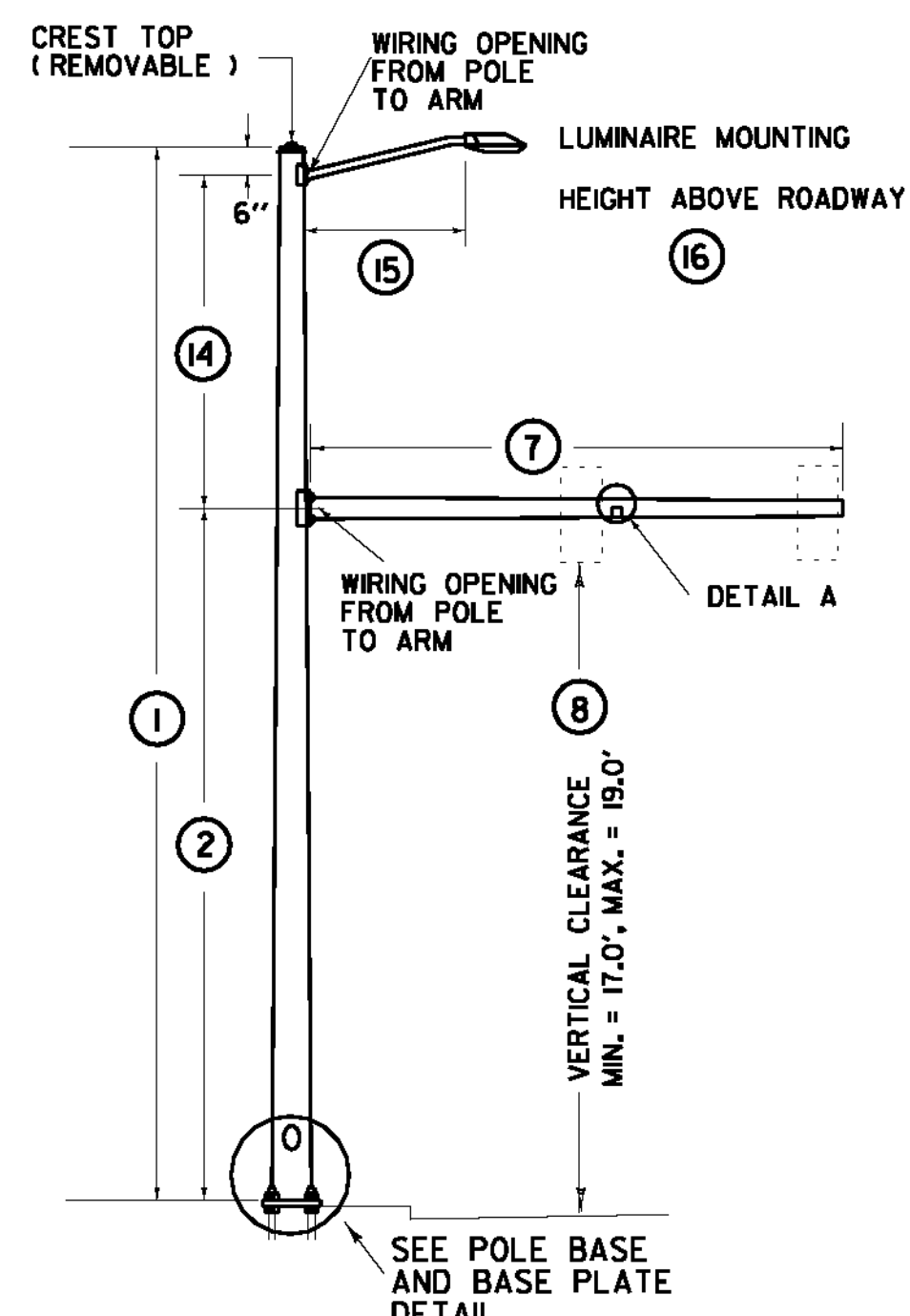
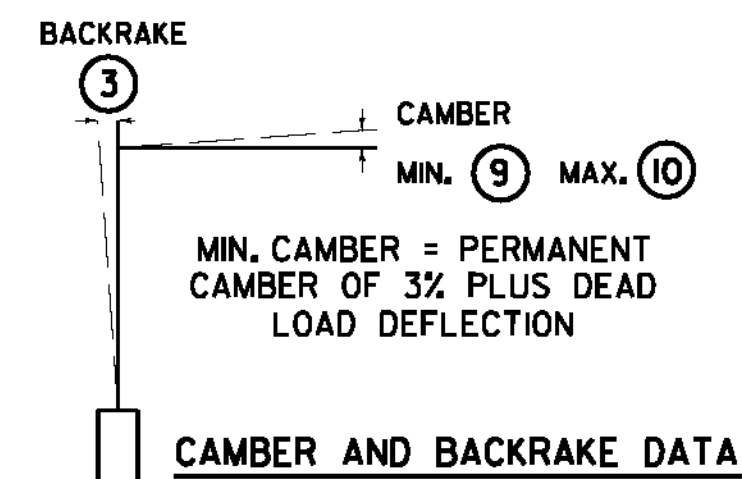


**TYPE A**

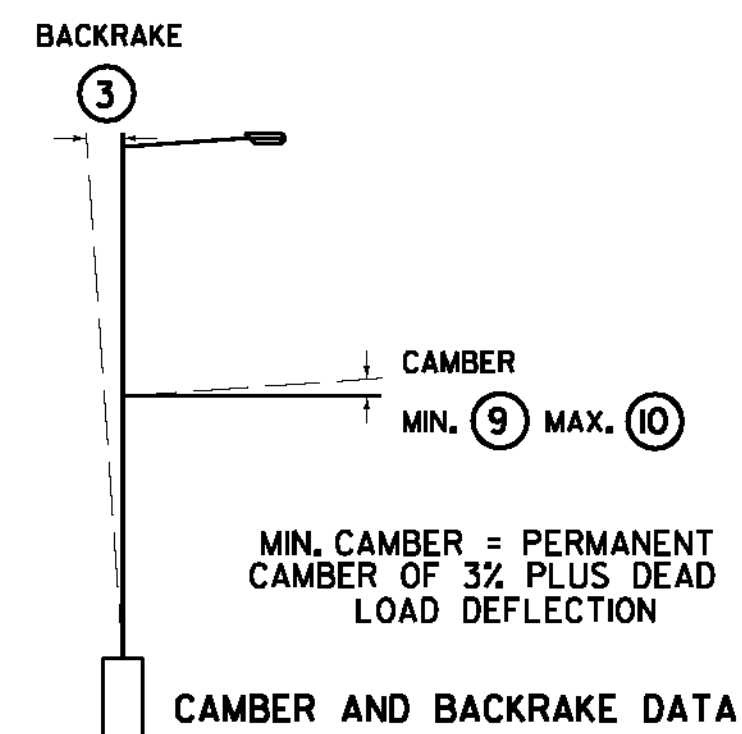


**TYPE B**

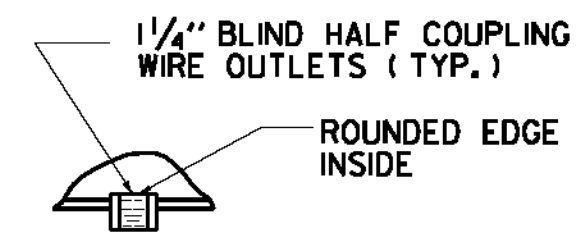


**CAMBER AND BACKRAKE DATA**

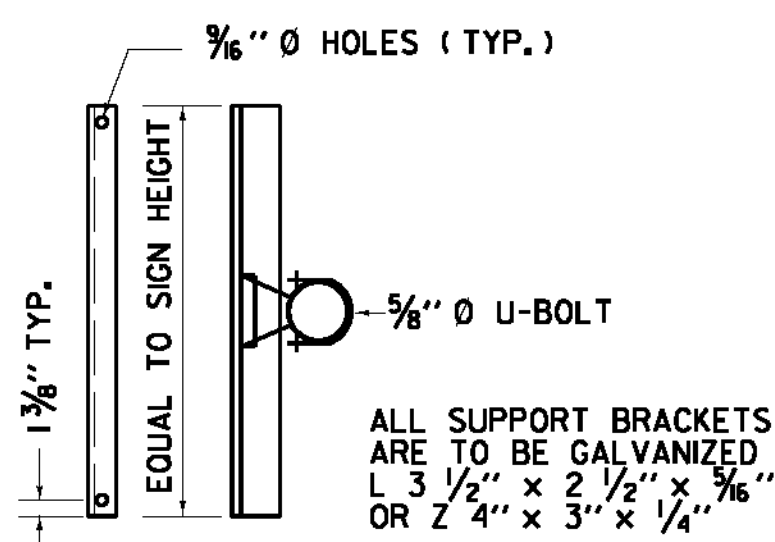
- POLE BASE DIAMETER (4)
- POLE GAUGE (5)
- POLE TAPER RATE (6)
- ARM DIAMETER (11)
- ARM GAUGE (12)
- ARM TAPER RATE (13)



**CAMBER AND BACKRAKE DATA**

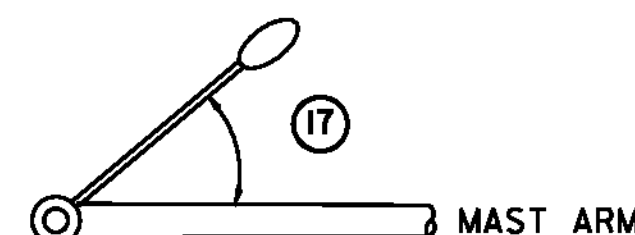


**DETAIL A**

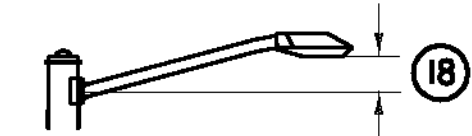


**SIGN BRACKET DETAILS**

**SIGN BRACKET DETAILS**

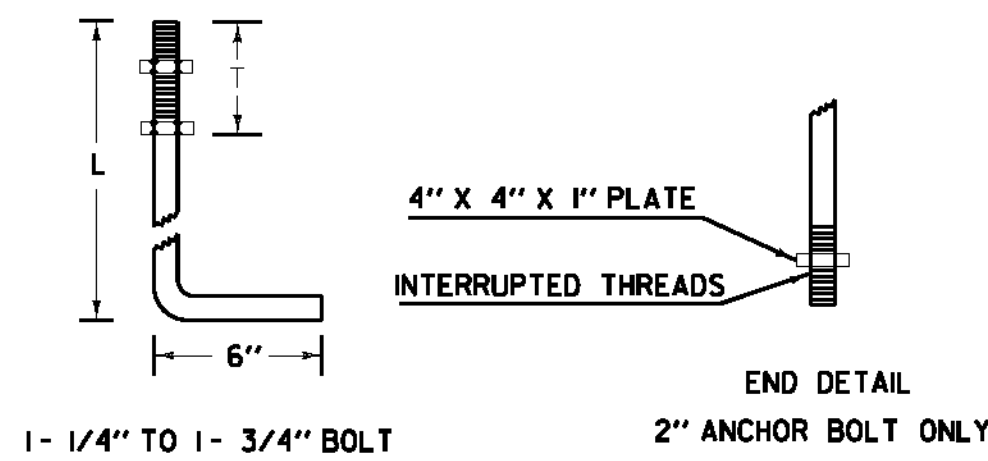


**LUMINAIRE ORIENTATION**

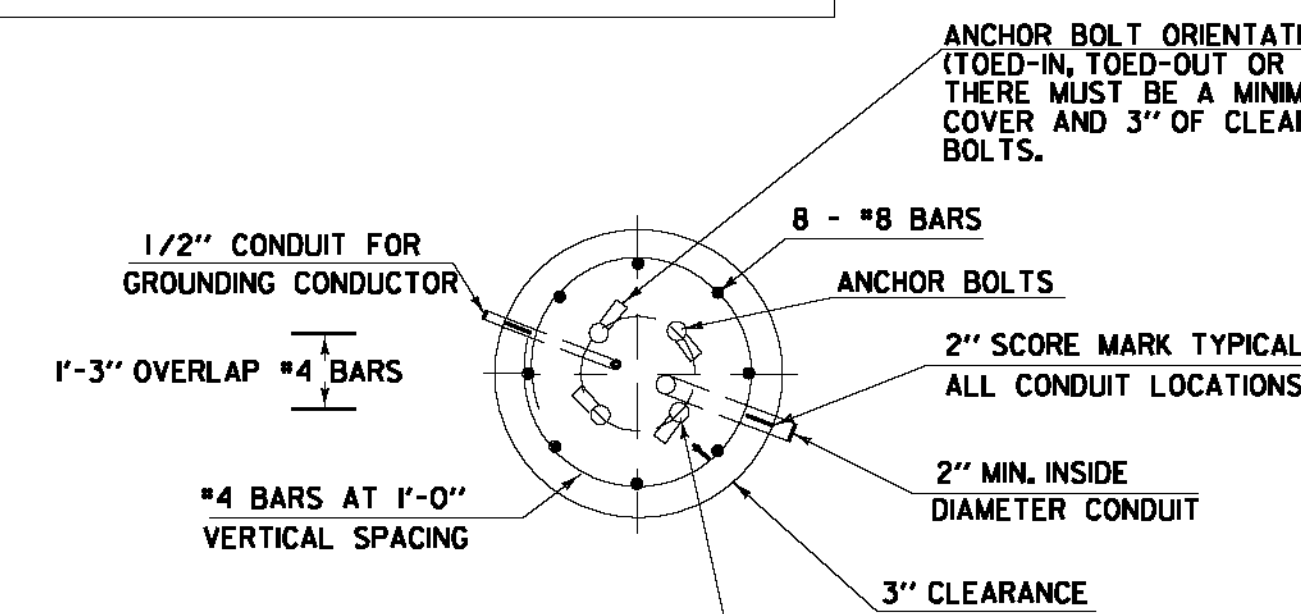


**LUMINAIRE ARM RISE**

ANCHOR BOLT DETAIL		
SIZE	L (IN)	T (IN)
1- 1/4" X 48"	42	8
1- 1/2" X 60"	54	9
1- 3/4" X 90"	84	9
2" X 96"	96	9



**ANCHOR BOLT DETAIL**



**SECTION**

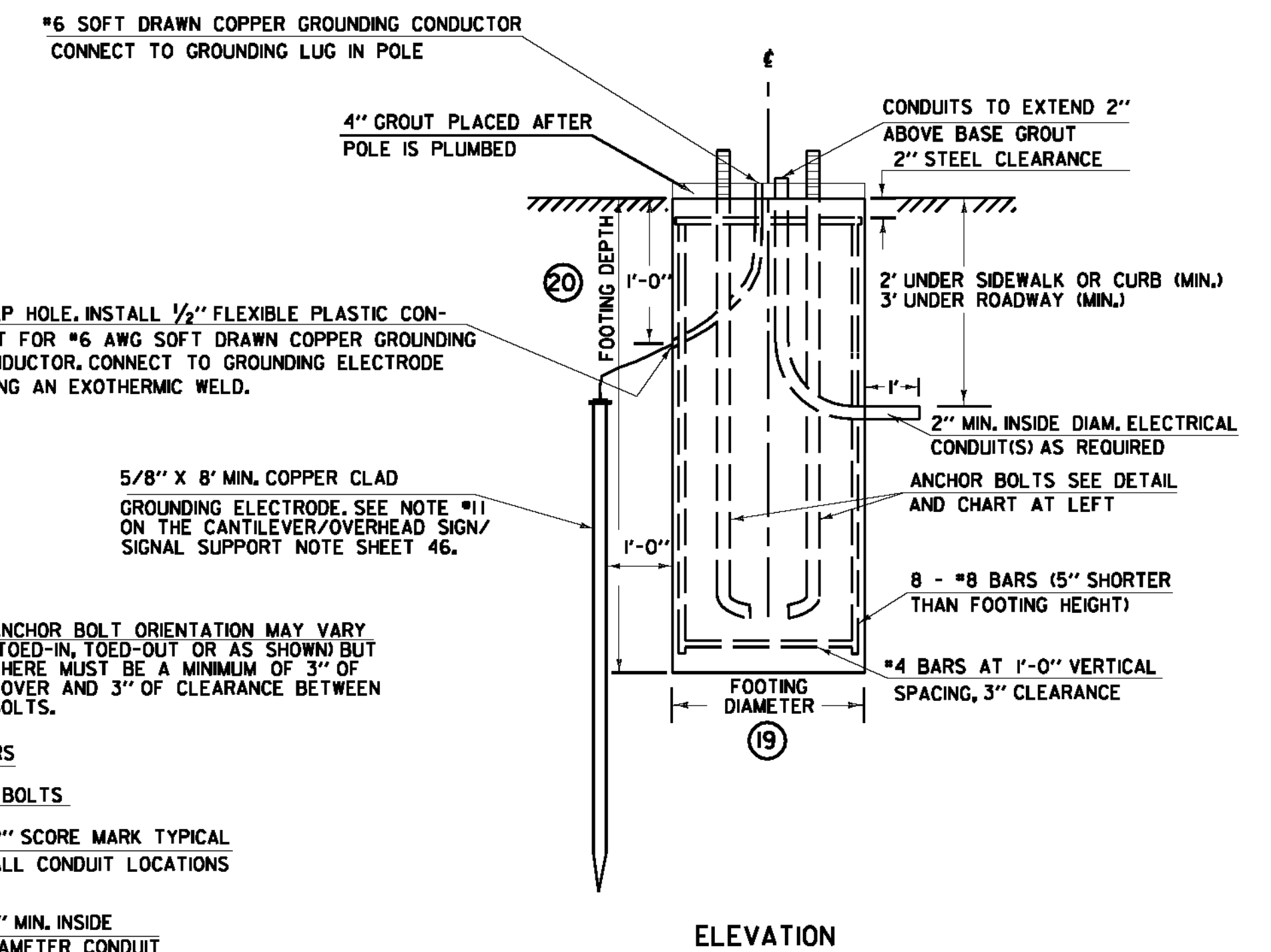
**CANTILEVER FOOTING DETAIL**

(SPREAD FOOTINGS OR PILES ARE OPTIONAL)

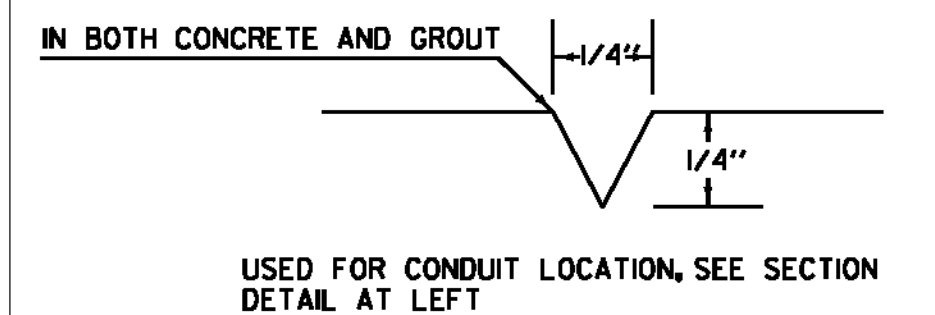
SEE CANTILEVER / OVERHEAD SIGN / SIGNAL SUPPORTS NOTE SHEET FOR ADDITIONAL INFORMATION (SHEET 46)

SEE SHEET 66 FOR CROSS SECTIONS

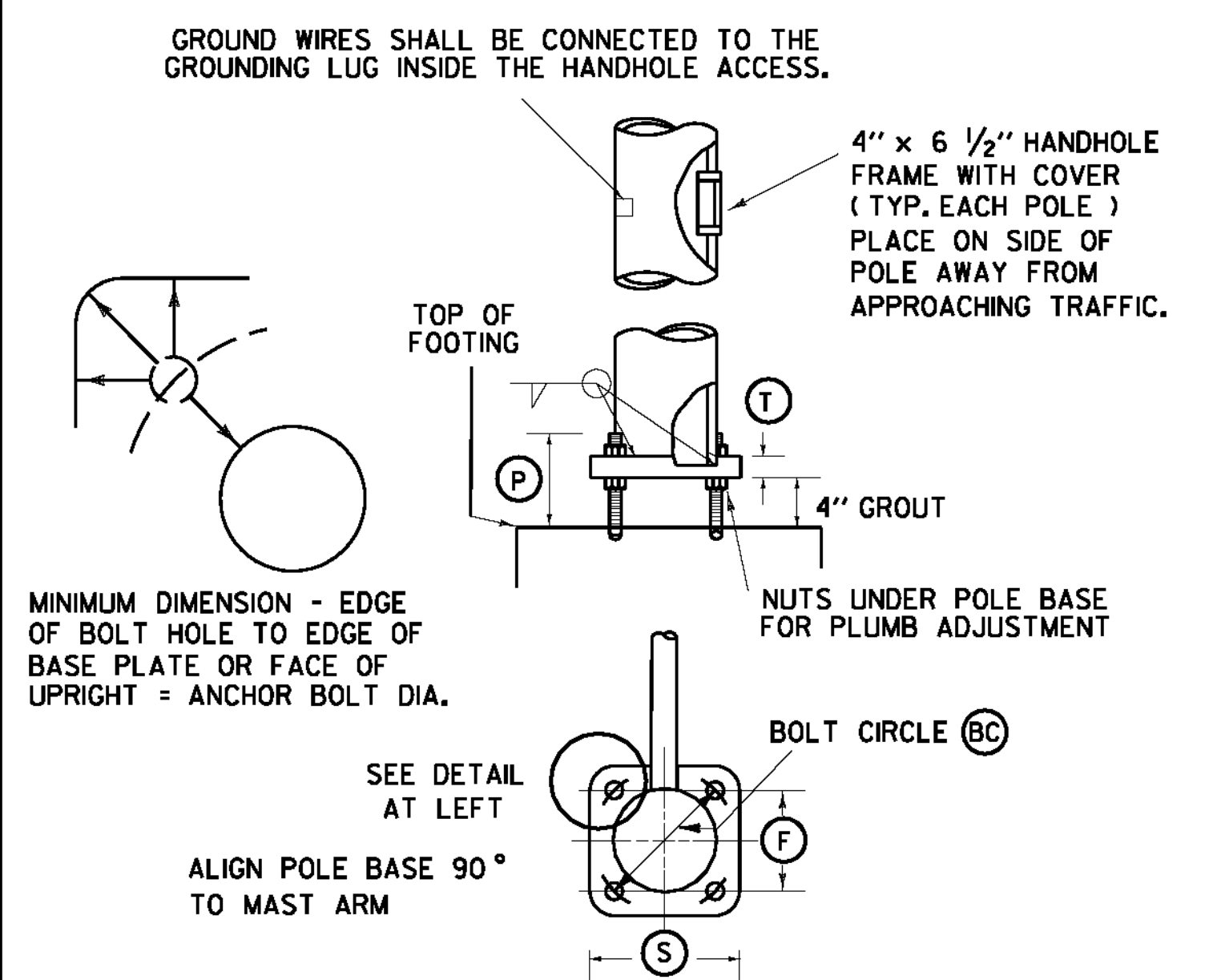
STRUCTURE DIMENSIONS (IN FEET)																												
POLE	TYPE	POLE DATA					ARM DATA						LIGHTING DATA				FOOTING DATA		BASE PLATE / BOLT DATA									
		1	2	3	4	5	6	7	8	9	10	11	12	13	14	15	16	17	18	19	20	BC	F	S	T	P	ANCHOR BOLT SIZE	
1	B	33	20				25	18.6						12.5	8	0	2											
2	B	33	20				50	19						12.5	8	47	2											



**ELEVATION**



**2\"/>**



**POLE BASE AND BASE PLATE DETAIL**

**NOTE:**  
DETAILS  
NTS

**SINGLE MAST ARM CANTILEVER / FOOTING DETAIL SHEET  
FOR TRAFFIC SIGNAL PLAN 4 (FEGC F 026-1(34) C/1)**

PREPARED BY JAR DATE 4/5/2010  
 CHECKED BY CMB DATE 4/5/2010  
 DESIGN SUPERVISOR DATE  
 PROJ. BARRE CITY -  
 NORTH MAIN ST.  
 TRAFFIC SHEET NO. 3 OF 4  
 SHEET 65 OF 95 SHEETS

LAST REVISED 8/15/95