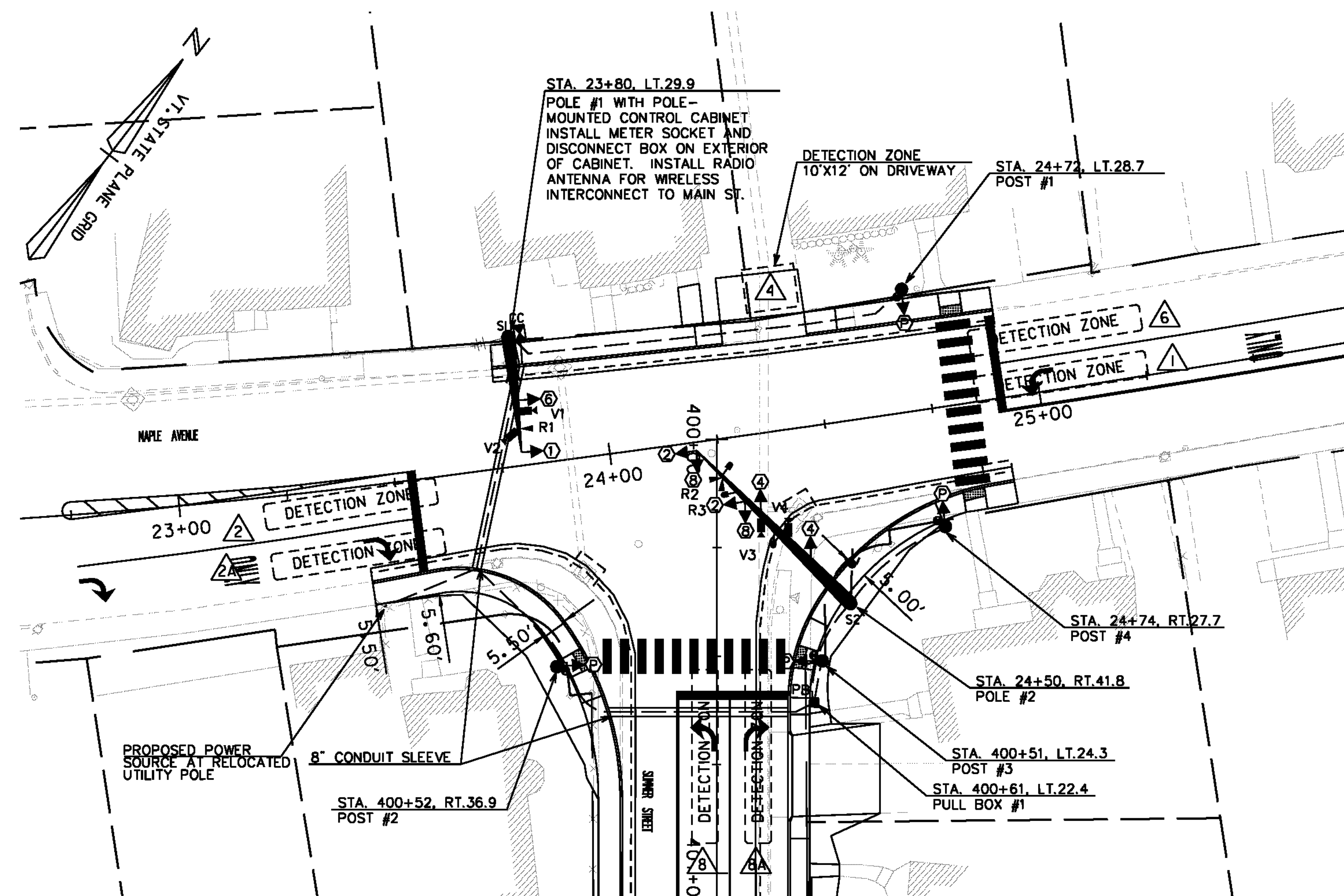
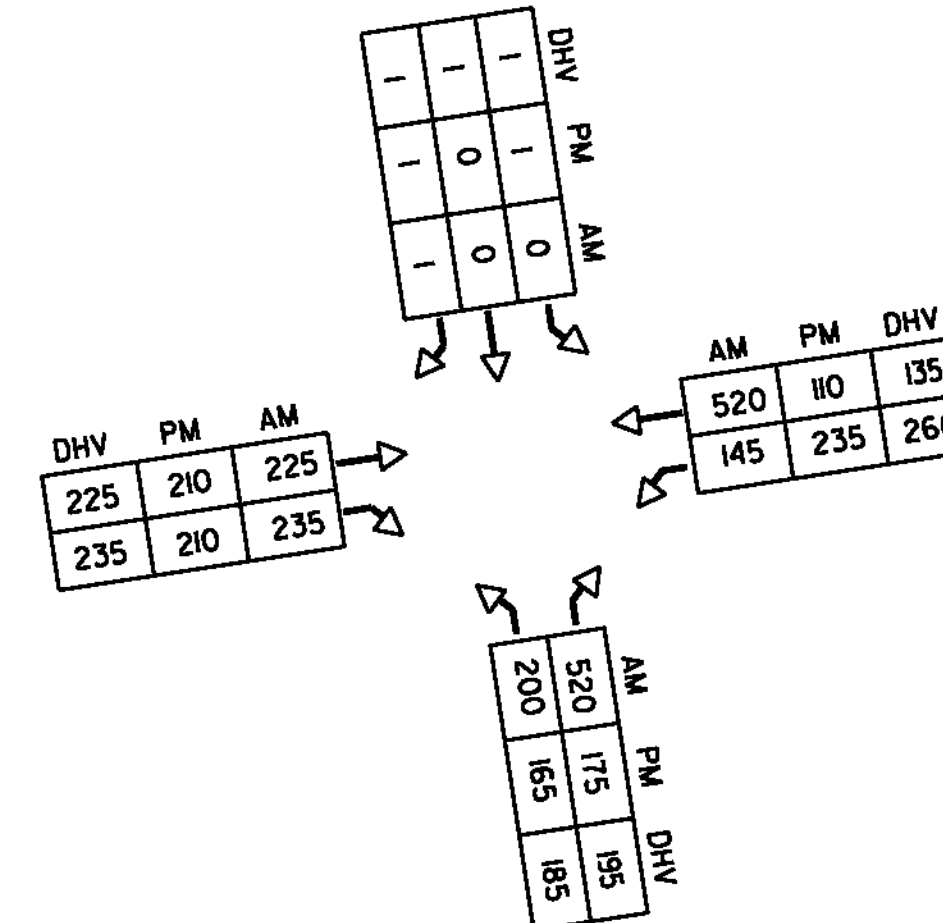


**LIST OF MAJOR EQUIPMENT**

EQUIPMENT ITEM 678.I5	QUANTITY
ECONOLITE TRAFFIC SIGNAL CONTROLLER	1
ECONOLITE SYSTEM MASTER CONTROLLER ASC/2M-2100	1
POTS LINE TELECOMMUNICATIONS DROP WITH COMPATIBLE 56K MODEM	1
ECONOLITE "STRETCH M" POLE MOUNTED CONTROLLER CABINET PAINTED FLAT BLACK WITH ANCILLARY CONTROL EQUIPMENT	1
FLAT BLACK PAINTED STEEL MAST ARM SIGNAL POLE WITH 25 FOOT MAST ARM (POLE #1)	1
FLAT BLACK PAINTED STEEL MAST ARM SIGNAL POLE WITH 50 FOOT MAST ARM (POLE #2)	1
FLAT BLACK PAINTED PEDESTAL POST	4
ONE WAY, 3-SECTION, 12-INCH POLYCARBONATE MAST ARM MOUNTED LED TRAFFIC SIGNAL HEAD WITH TUNNEL VISORS AND LOUVERED BACKPLATES WITH ALL PIECES PAINTED FLAT BLACK	7
ONE WAY, 5-SECTION, 12-INCH POLYCARBONATE MAST ARM MOUNTED LED TRAFFIC SIGNAL HEAD WITH TUNNEL VISORS AND LOUVERED BACKPLATES WITH ALL PIECES PAINTED FLAT BLACK	1
POLE MOUNTED 16-INCH LED COUNTDOWN PEDESTRIAN SIGNAL HEAD	4
VTRANS SPEC ACCESSIBLE PEDESTRIAN PUSH BUTTONS WITH RIO-3e TYPE SIGN ASSEMBLY AND AUDIBLE INDICATORS	4
ASTRO-BRACKETS	8
WIRELESS RADIO INTERCONNECT SYSTEM	1
OPTICAL DETECTION SENSOR WITH DETECTION CABLES	4
EMERGENCY VEHICLE PREEMPTION RECEIVER	3
EMERGENCY VEHICLE PREEMPTION 4-CHANNEL PHASE SELECTOR AND CHASSIS	1
EMERGENCY VEHICLE PREEMPTION STROBE	3

**2009 AVERAGE WEEKDAY TRAFFIC DATA**



**WIRED CONDUIT (PVC) AND ELECTRICAL CONDUIT SLEEVE SCHEDULE**

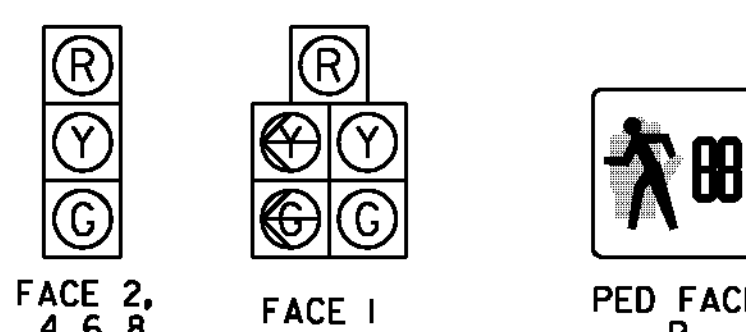
ITEM NUMBER	678.21		678.23		678.30		DESCRIPTION
	ELECTRICAL CONDUIT	WIRED CONDUIT	WIRED CONDUIT	CONDUIT SLEEVE	CONDUIT SLEEVE	CONDUIT SLEEVE	
FROM/TO	3'	3'	4'	8'			
POWER TO CABINET		66					POWER (INCLUDES WIRED CONDUIT FOR RISER)
CABINET TO POLE #1		5					POLE #1
CABINET TO POST #1			98				POST #1
CABINET TO POST #2	48		88	48			POLE #2, POST #2, POST #3, POST #4
POST #2 TO PB #1	43		65	43			POLE #2, POST #3, POST #4
PB #1 TO POST #3		12					POST #3
PB #1 TO POLE #2		27					POLE #2, POST #4
POLE #2 TO POST #4		30					POST #4
SUB-TOTALS	91	238	153	91			
ROUNDING	4	7	7	4			
TOTALS	95	245	160	95			

**DETECTION SCHEDULE**

INCIDENTAL TO ITEM 678.I5							
OPTICAL VIDEO DETECTORS							
LOOP NO.	LANE	CALL Ø	SIZE	TYPE & NO. TURNS	DELAY OR PRESENCE	SLOT	CHANNEL
▲	SBLT	1	6X40	OPTICAL	PRESENCE	2	1
▲	NBTH	2	6X40	OPTICAL	PRESENCE	4	1
▲	NBRT	2	6X40	OPTICAL	5 SEC DELAY	4	2
▲	DW	4	6X40	OPTICAL	PRESENCE	6	1
▲	SBTH	6	6X40	OPTICAL	PRESENCE	2	2
▲	WBLT	8	6X40	OPTICAL	PRESENCE	8	1
▲	WBRT	8	6X40	OPTICAL	5 SEC DELAY	8	2

**SIGNAL FACE ARRANGEMENT**

(12" LED LENSES W/ 5" BACKPLATES)



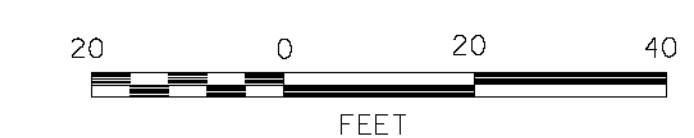
**EQUIPMENT NOTES**

- (A) SEE STANDARDS E-170, E-171A, E-171B, 171C, 173, & 175 FOR ADDITIONAL INFORMATION.
- (B) SEE TRAFFIC SIGNAL NOTE SHEETS 46, 47 & 64 AND SINGLE MAST ARM CANTILEVER/FOOTING DETAIL SHEET 65 FOR ADDITIONAL INFORMATION.
- (C) FOR SIGN DETAILS, SEE SHEETS 36 THROUGH 45.

**LEGEND**

NEW	LEGEND
CC	CONTROLLER CABINET
SH	SIGNAL HEAD
---	CONDUIT
○	OPTICAL DETECTION ZONE
⊙	PEDESTAL POST
⊕	STANCHION
-S	SPARE SWEEP
⊖	EMERGENCY VEHICLE PREEMPTION STROBE
⊖	EMERGENCY VEHICLE PREEMPTION RECEIVER
—	PROPOSED MAST ARM
⊙	PEDESTRIAN PUSH BUTTON
■	PULL BOX
—	OVERHEAD SIGN
⊕	RADIO ANTENNA
—	OPTICAL DETECTION
—	EXISTING MAST ARM

DATUM  
 VERTICAL NAVD 1929  
 HORIZONTAL NAD 27



**VHB** Vanasse Hangen Brustlin, Inc.

MAPLE AVE AND SUMMER ST

PROJECT NAME: BARRE CITY  
 PROJECT NUMBER: FECC F 026-1(34) C/1

FILE NAME: z09B240\_TSPS4.dgn  
 PROJECT LEADER: G. BAKOS  
 DESIGNED BY: DMP / MDS  
 TRAFFIC SIGNAL PLAN 4, SHEET 1

PLOT DATE: 4/5/2010  
 DRAWN BY: DMP / JAR  
 CHECKED BY:  
 SHEET 63 OF 95