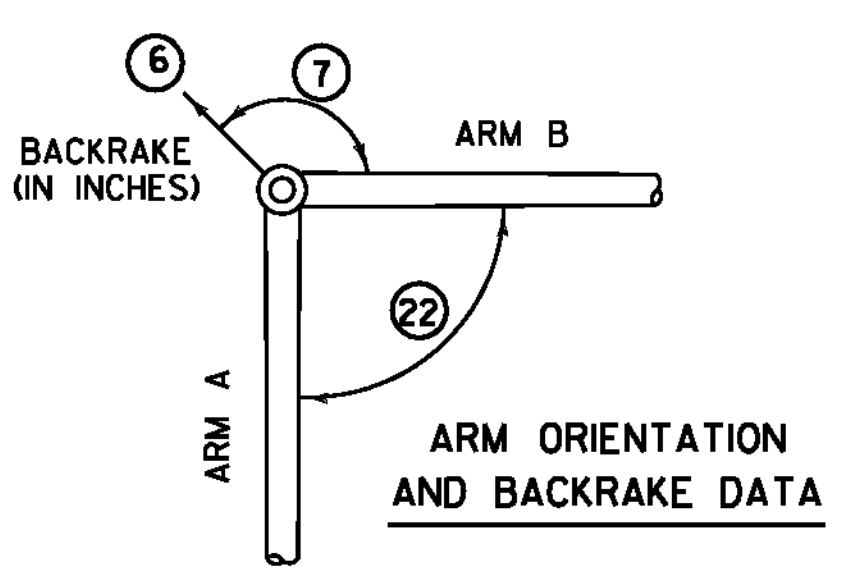
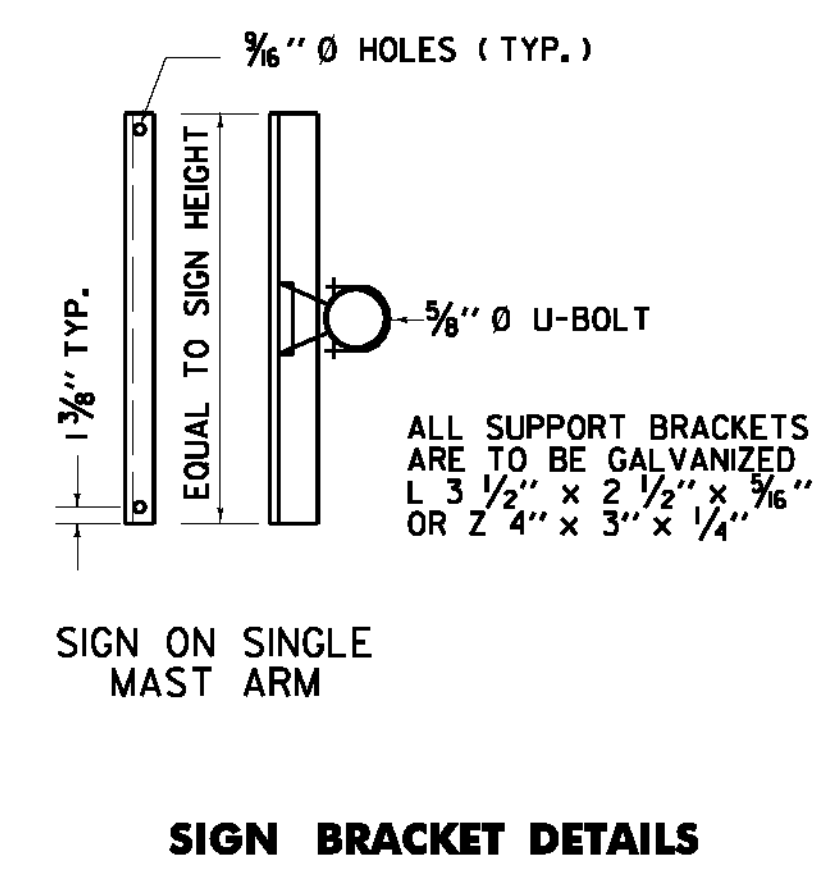
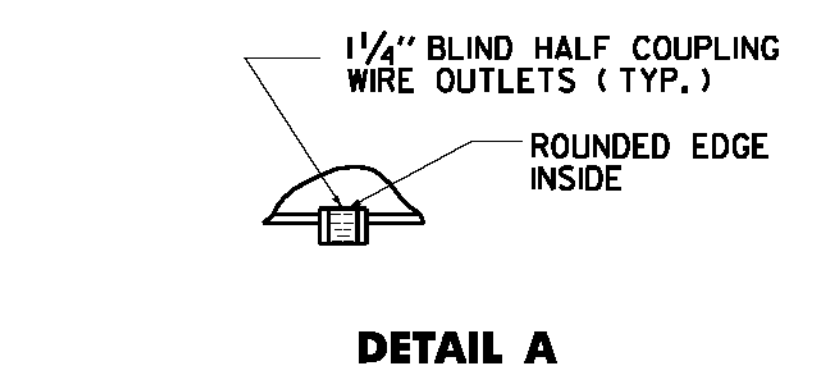
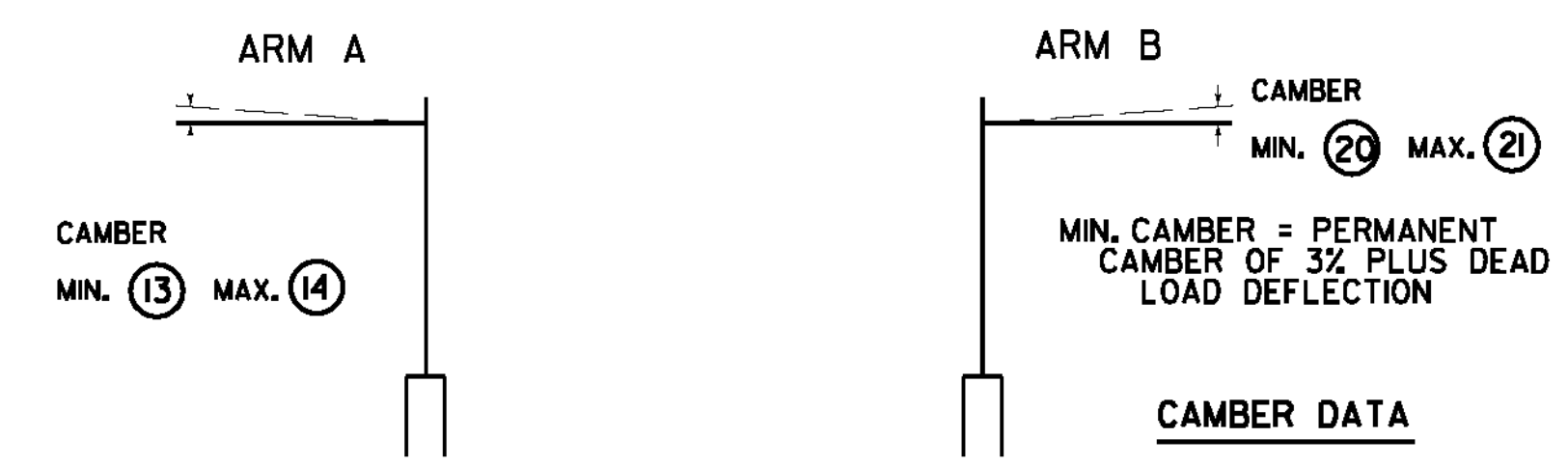
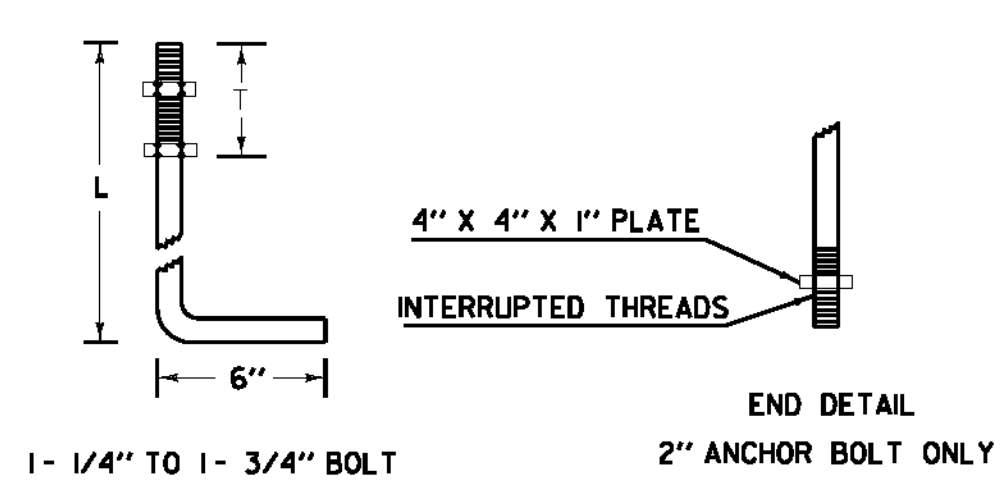


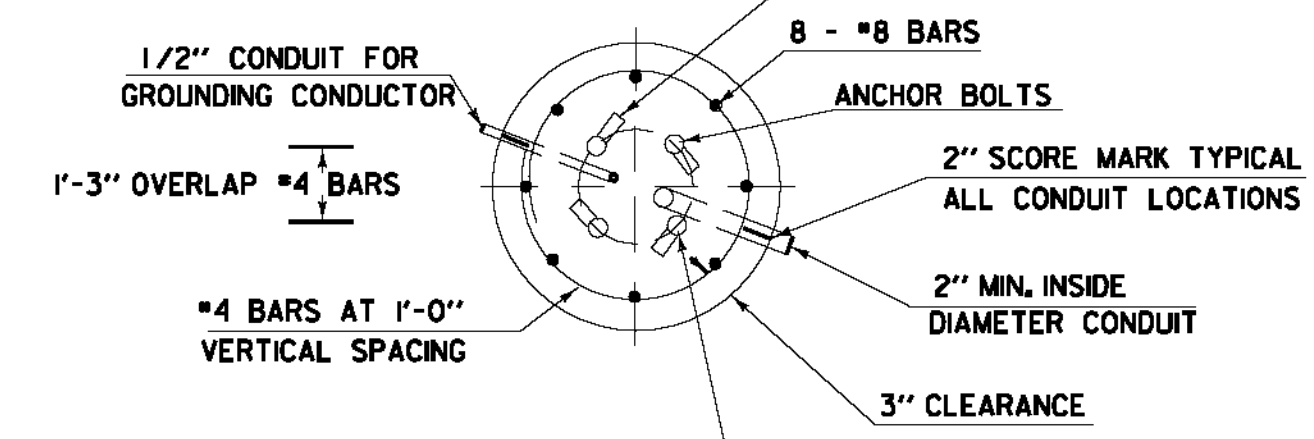
- POLE BASE DIAMETER (3)
- POLE GAUGE (4)
- POLE TAPER RATE (5)
- ARM A DIAMETER (10)
- ARM A GAUGE (11)
- ARM A TAPER RATE (12)
- ARM B DIAMETER (17)
- ARM B GAUGE (18)
- ARM B TAPER RATE (19)



ANCHOR BOLT DETAIL		
SIZE	L(IN)	T(IN)
1- 1/4" X 48"	42	8
1- 1/2" X 60"	54	9
1- 3/4" X 90"	84	9
2" X 96"	96	9



ANCHOR BOLT DETAIL



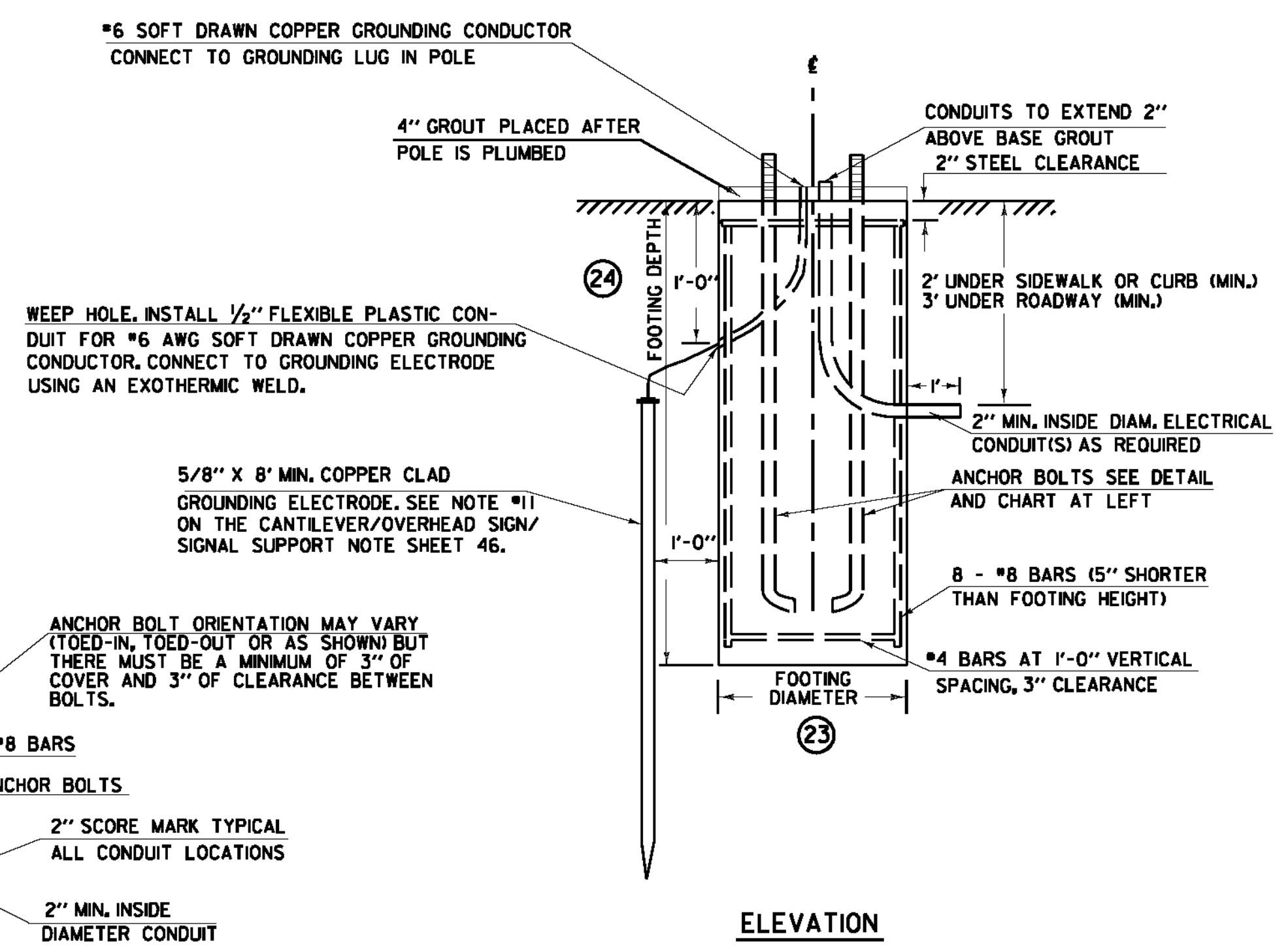
SECTION

CANTILEVER FOOTING DETAIL

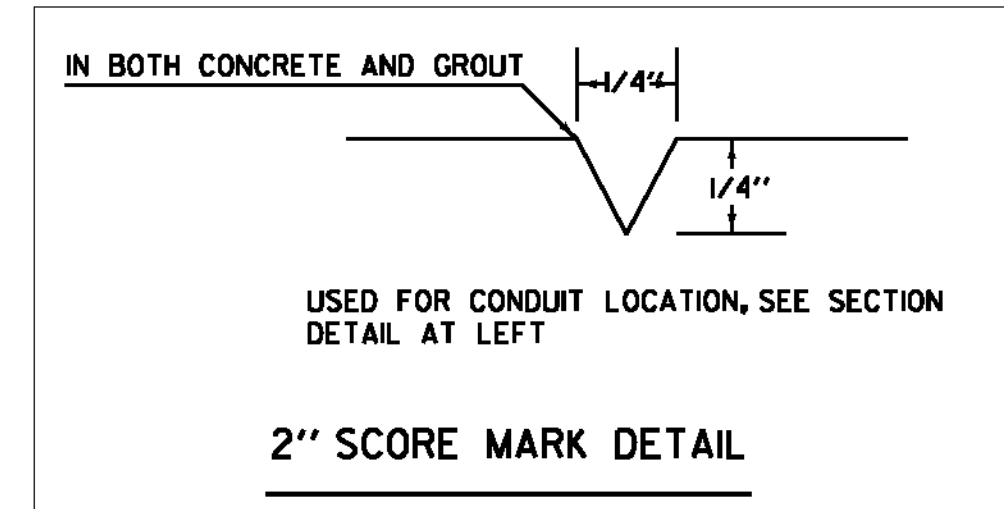
SEE CANTILEVER / OVERHEAD SIGN / SIGNAL SUPPORTS NOTE SHEET FOR ADDITIONAL INFORMATION (SHEET 46)  
SEE SHEET 60 FOR LIGHTING DATA

SEE SHEET 62 FOR CROSS SECTIONS

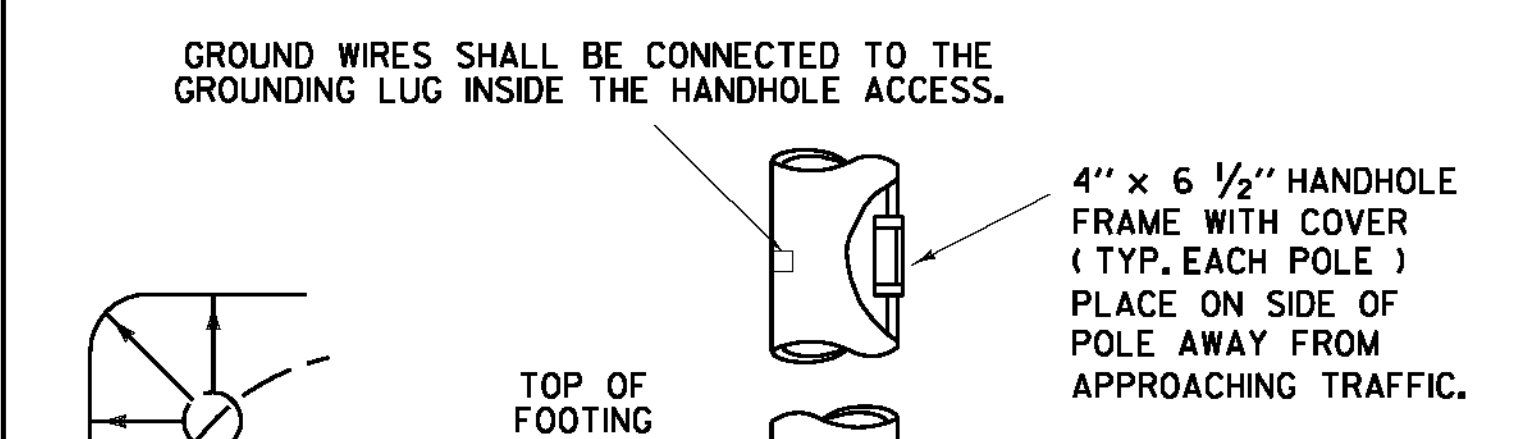
POLE	STRUCTURE DIMENSIONS (IN FEET)																															
	POLE DATA							ARM DATA															FOOTING DATA		BASE PLATE / BOLT DATA							
	1	2	3	4	5	6	7	8	9	10	11	12	13	14	15	16	17	18	19	20	21	22	23	24	BC	F	S	T	P	ANCHOR BOLT SIZE		
1	33	20						37	18																							



ELEVATION



2" SCORE MARK DETAIL



POLE BASE AND BASE PLATE DETAIL

NOTE:  
DETAILS  
NTS

DOUBLE MAST ARM CANTILEVER / FOOTING DETAIL SHEET  
FOR TRAFFIC SIGNAL PLAN 3 (FEGC F 026-1(34) C/1)

PREPARED BY JAR DATE 4/5/2010  
CHECKED BY CMB DATE 4/5/2010  
DESIGN SUPERVISOR DATE  
PROJ. BARRE CITY -  
NORTH MAIN ST.  
TRAFFIC SHEET NO. 4 OF 5  
SHEET 61 OF 95 SHEETS

LAST REVISED 8/15/95