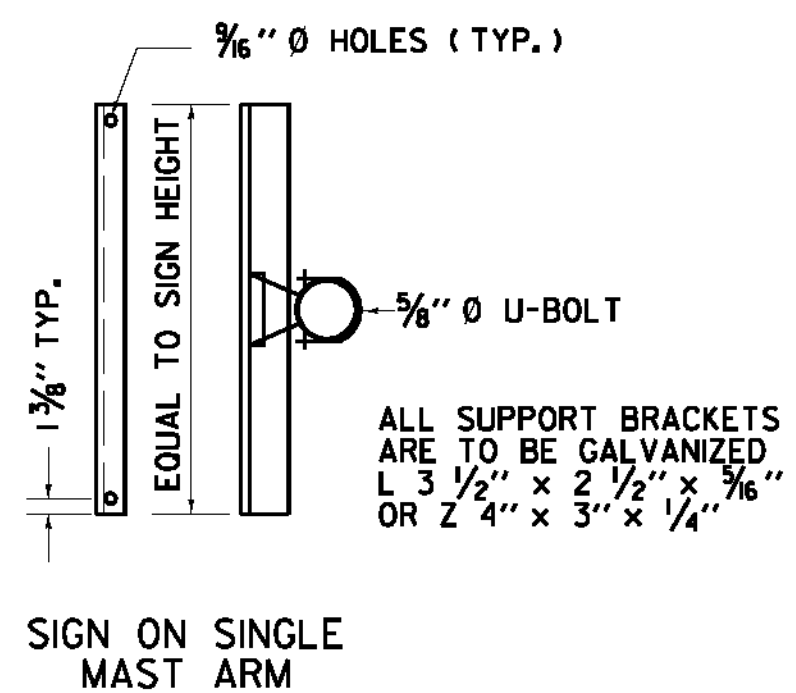
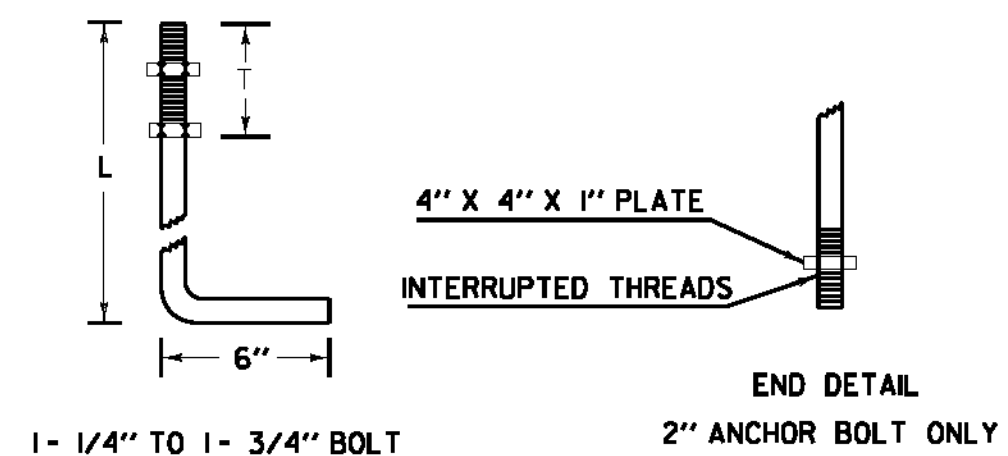


DETAIL A

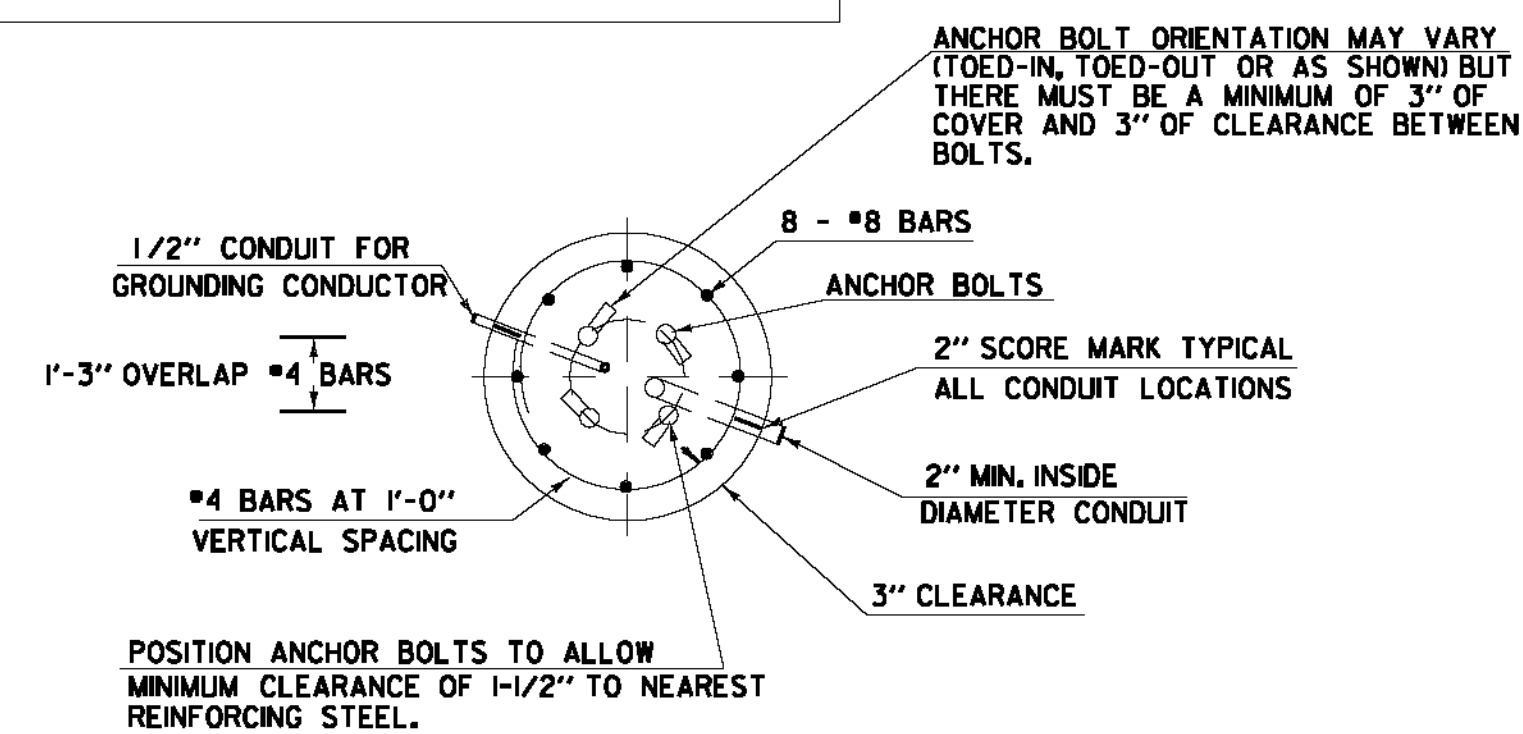


SIGN BRACKET DETAILS

ANCHOR BOLT DETAIL			
SIZE	L (IN)	T (IN)	
1- 1/4" X 48"	42	8	
1- 1/2" X 60"	54	9	
1- 3/4" X 90"	84	9	
2" X 96"	96	9	



ANCHOR BOLT DETAIL



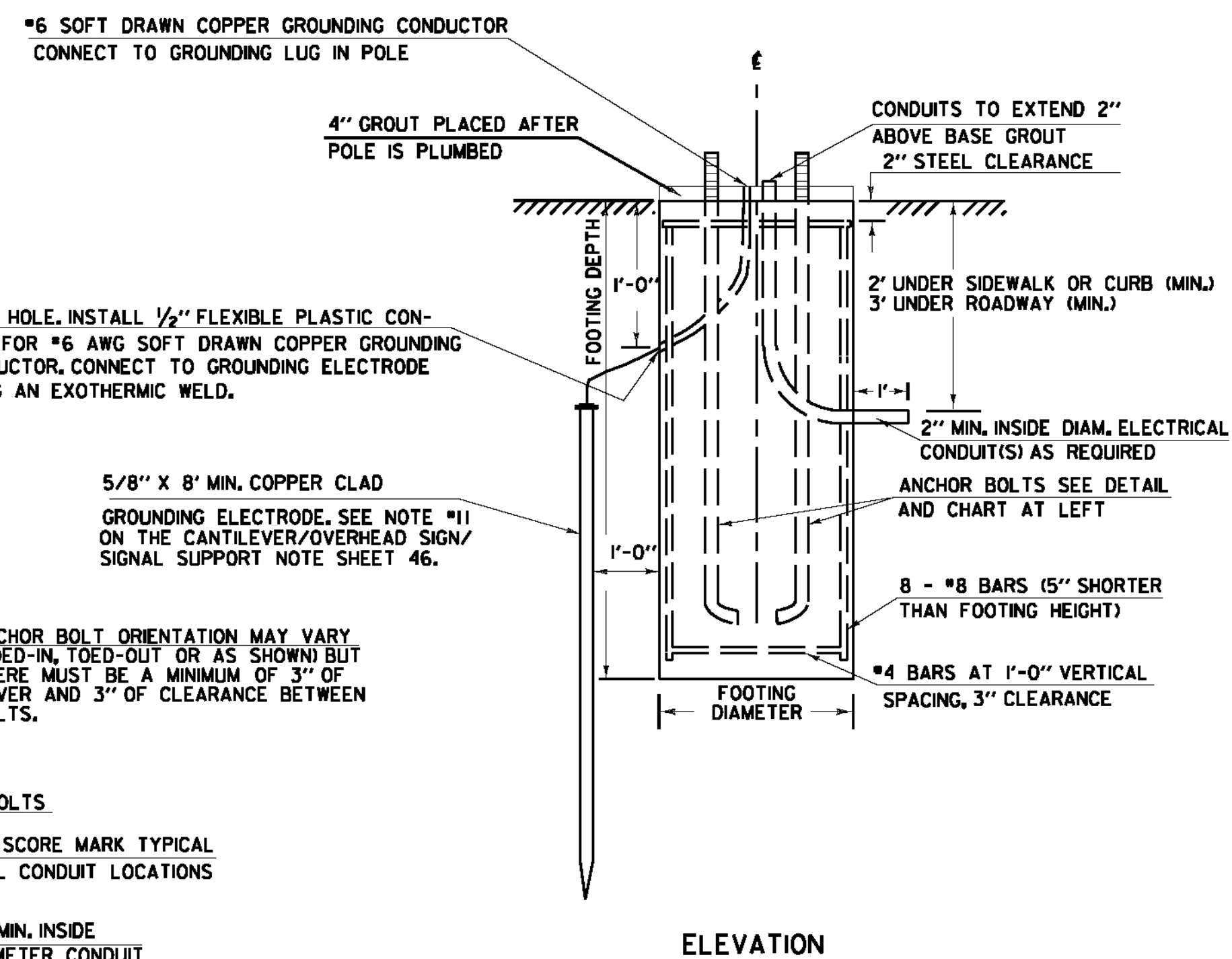
SECTION

OVERHEAD TRAFFIC SIGN BRIDGE FOOTING DETAIL

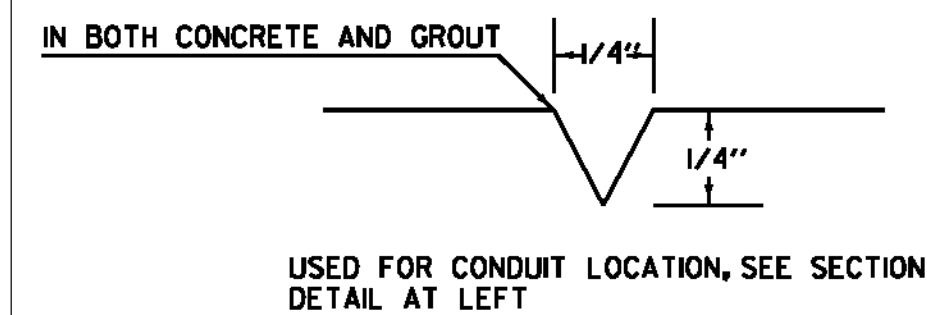
(SPREAD FOOTINGS OR PILES ARE OPTIONAL)

NOTES:

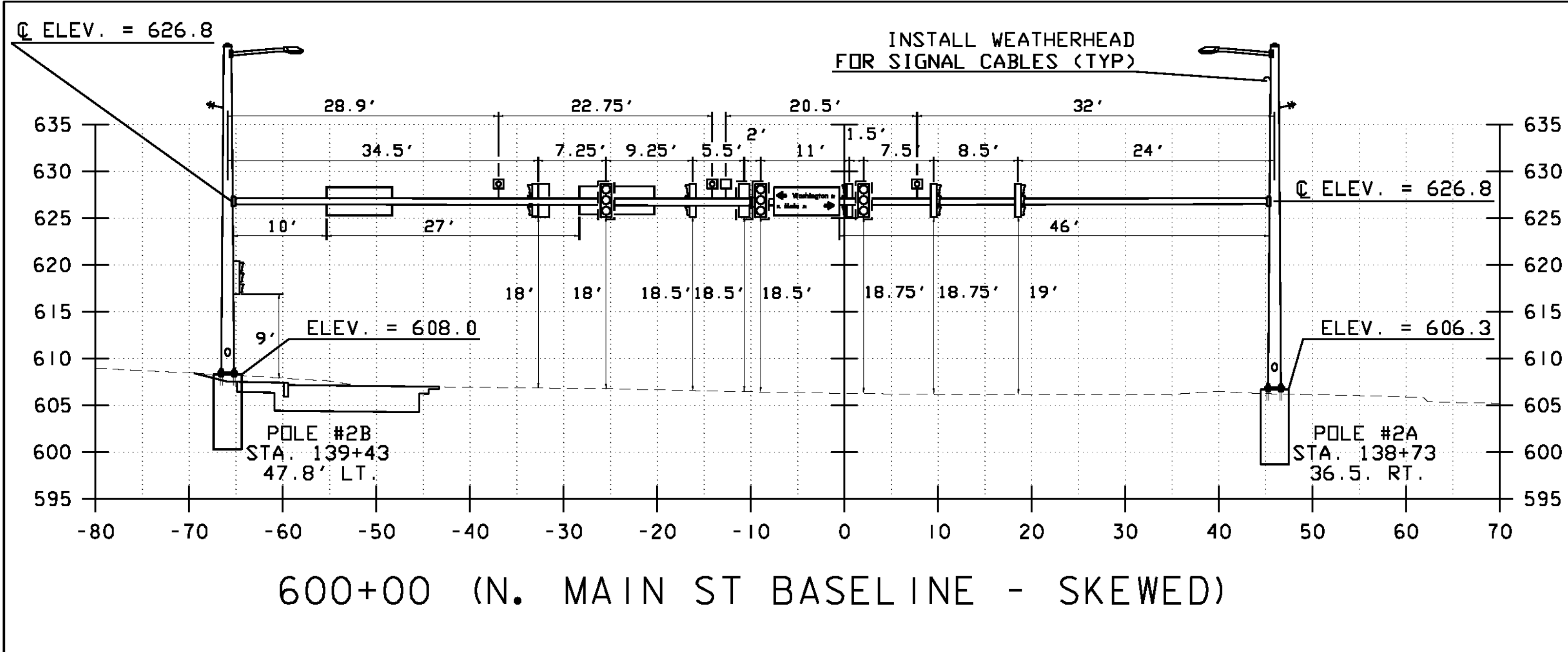
1. SEE CANTILEVER / OVERHEAD SIGN / SIGNAL SUPPORTS NOTE SHEET FOR ADDITIONAL INFORMATION (SHEET 46).
2. MANUFACTURER TO DETERMINE TYPE OF STRUCTURE REQUIRED.
3. MINIMUM CLEARANCE FROM SIGNALS TO ROADWAY IS 18' - 0".



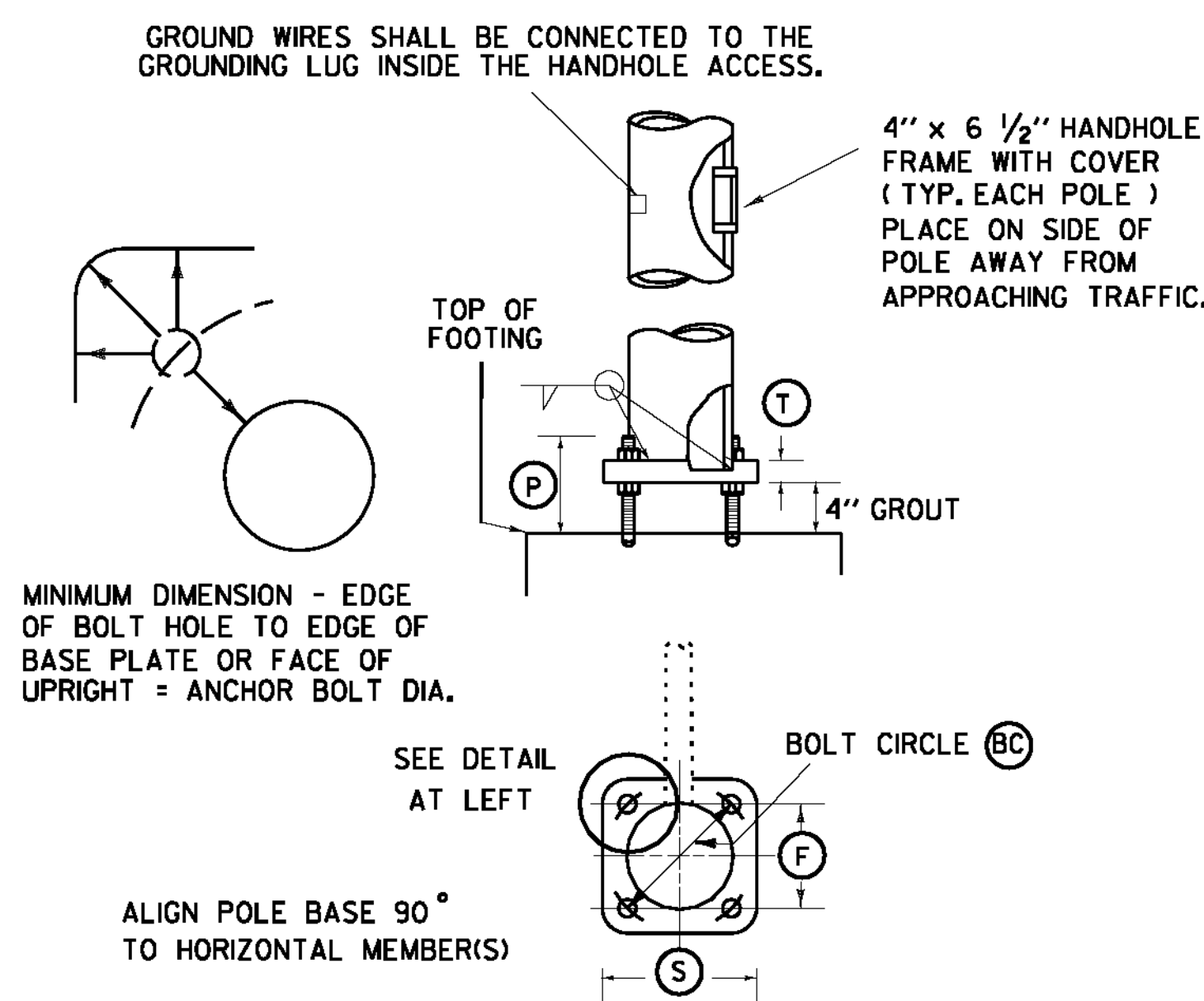
ELEVATION



2" SCORE MARK DETAIL



OVERHEAD SIGN BRIDGE CROSS SECTION



POLE BASE AND BASE PLATE DETAIL

NOTE:
DETAILS
NTS

MULTI-SUPPORT STRUCTURE / FOOTING DETAIL SHEET
FOR TRAFFIC SIGNAL PLAN 2 (FEGC F 026-1(34) C/1)