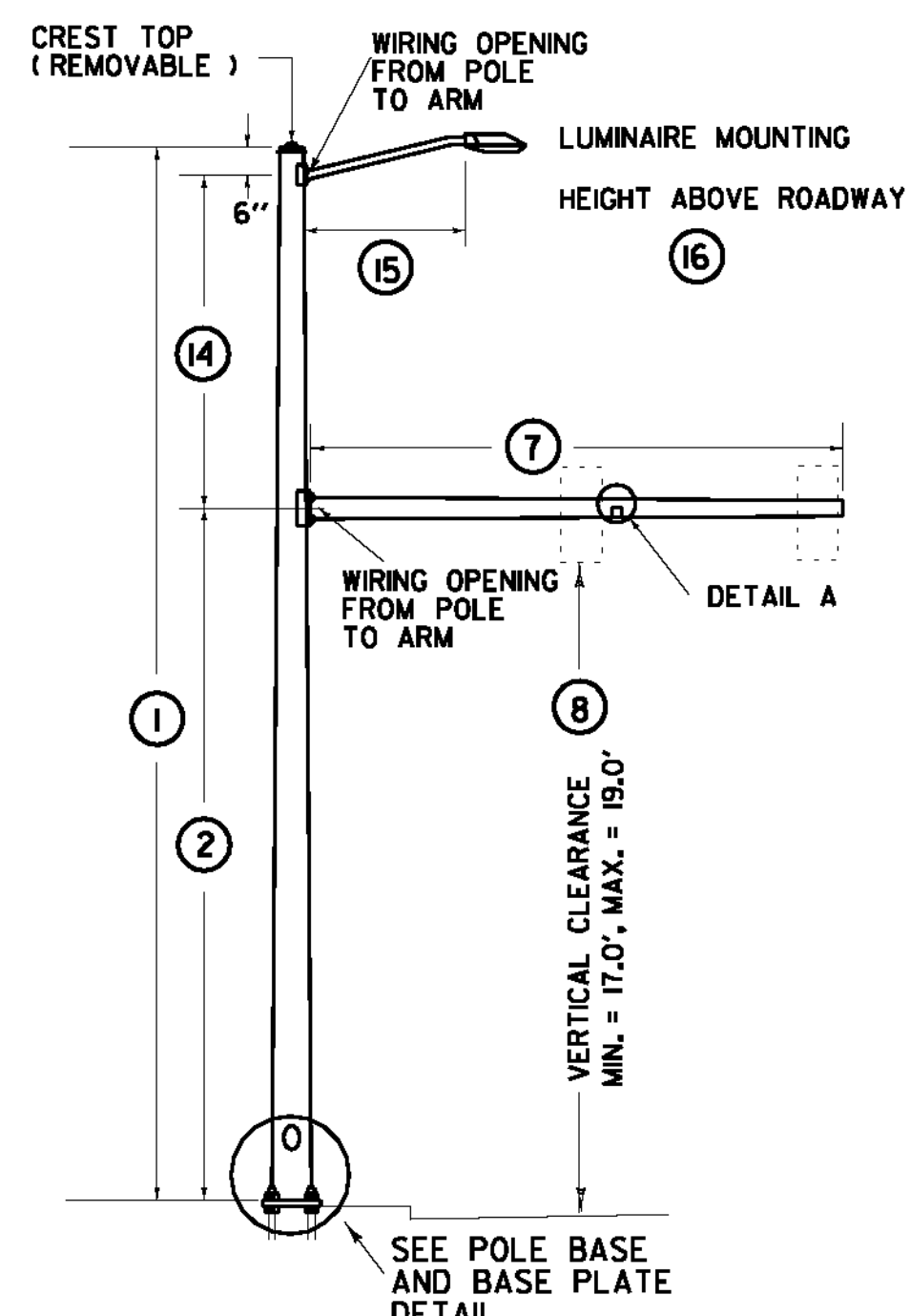
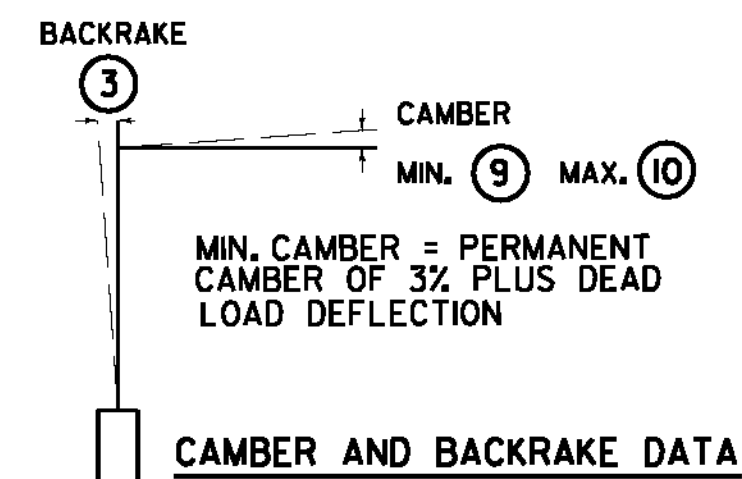


TYPE A

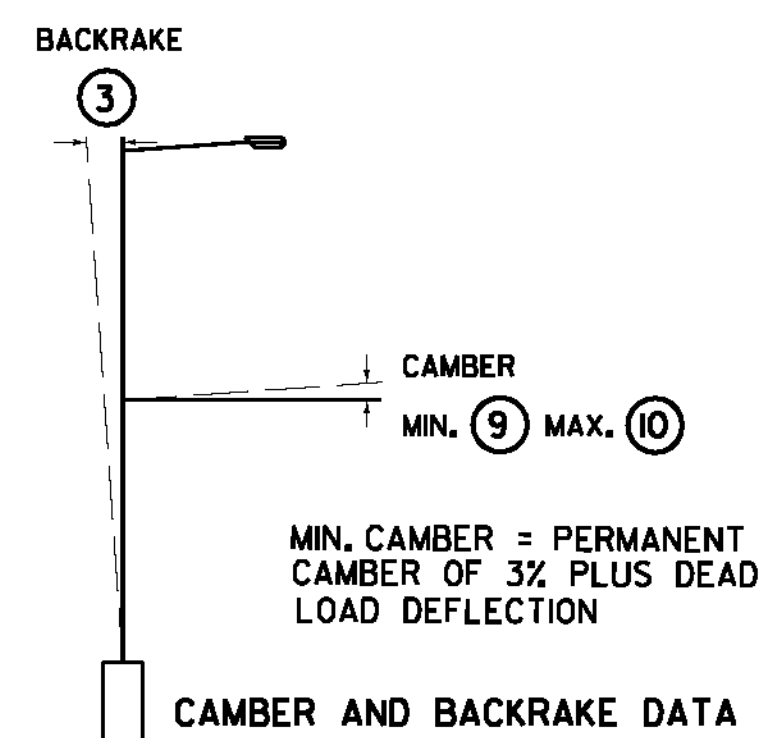


TYPE B

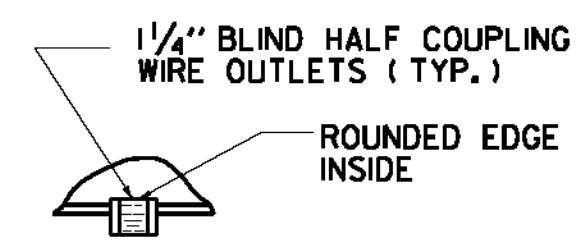


CAMBER AND BACKRAKE DATA

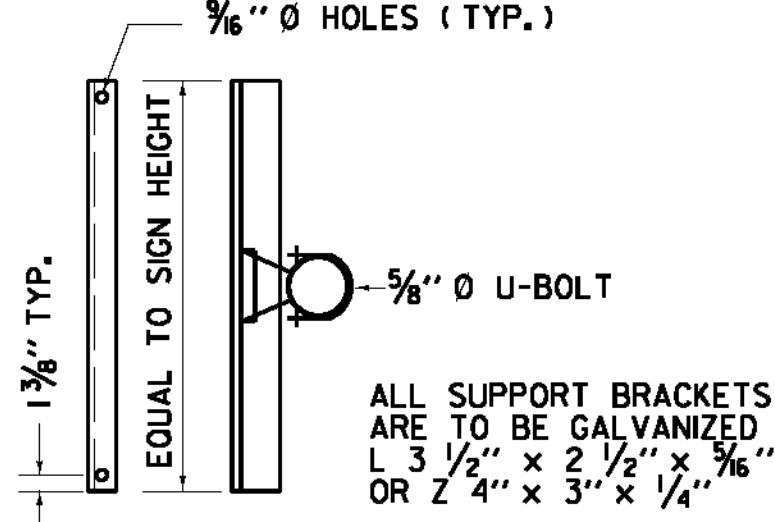
- POLE BASE DIAMETER (4)
- POLE GAUGE (5)
- POLE TAPER RATE (6)
- ARM DIAMETER (11)
- ARM GAUGE (12)
- ARM TAPER RATE (13)



CAMBER AND BACKRAKE DATA

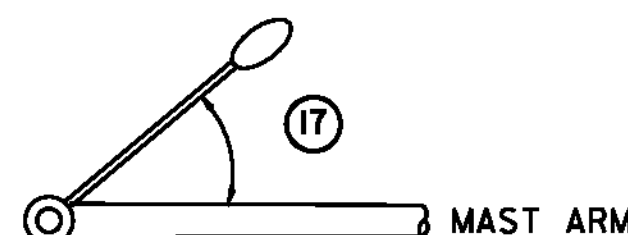


DETAIL A

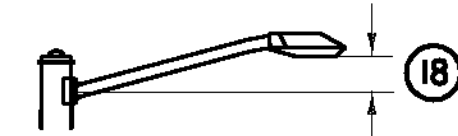


SIGN ON SINGLE MAST ARM

SIGN BRACKET DETAILS

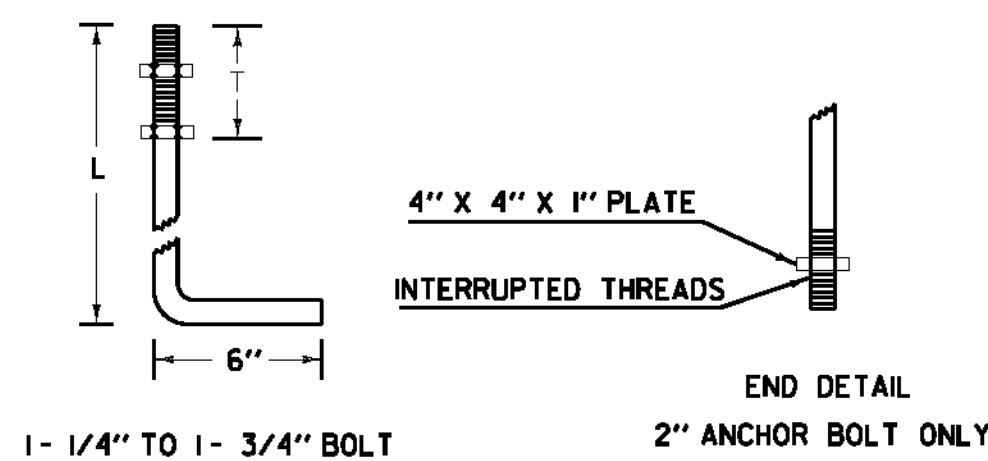


LUMINAIRE ORIENTATION

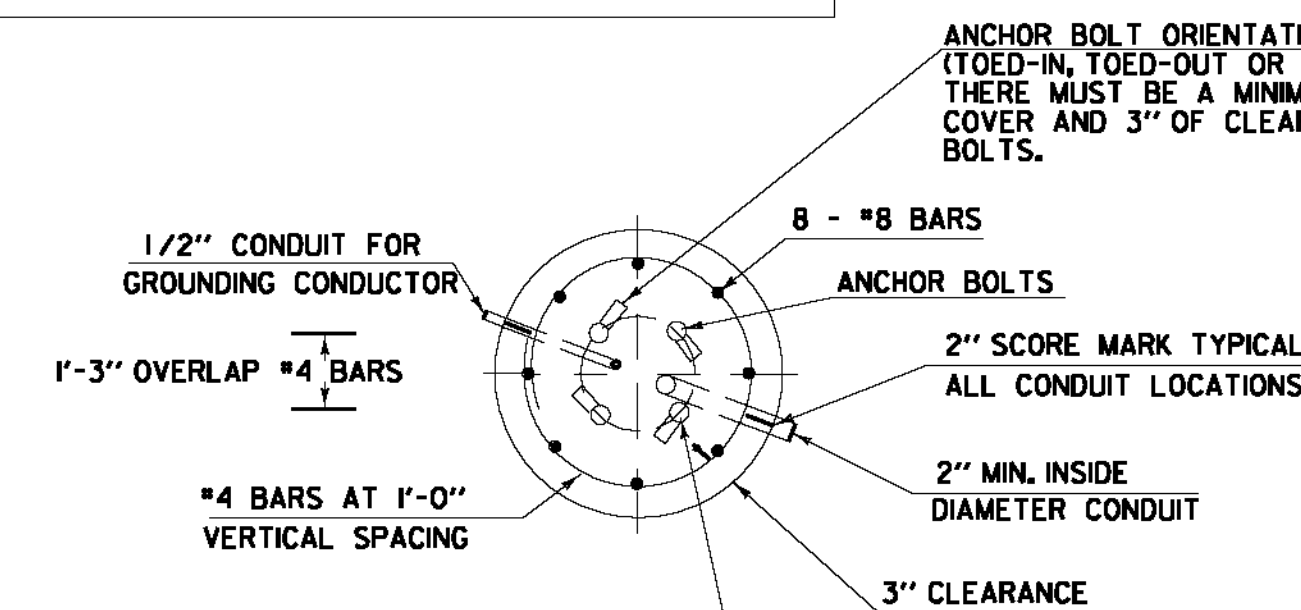


LUMINAIRE ARM RISE

ANCHOR BOLT DETAIL		
SIZE	L (IN)	T (IN)
1- 1/4" X 48"	42	8
1- 1/2" X 60"	54	9
1- 3/4" X 90"	84	9
2" X 96"	96	9



ANCHOR BOLT DETAIL



SECTION

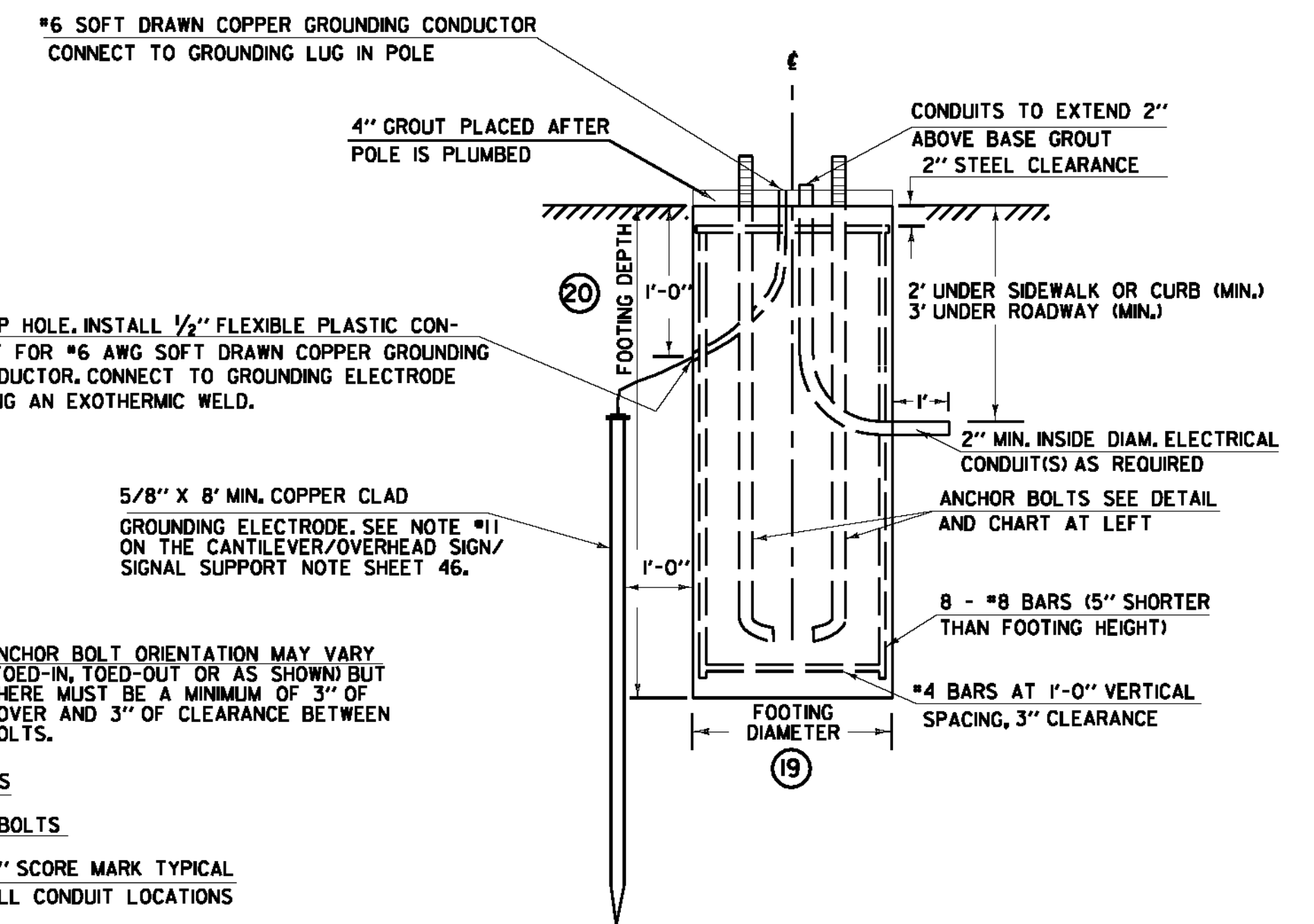
CANTILEVER FOOTING DETAIL

(SPREAD FOOTINGS OR PILES ARE OPTIONAL)

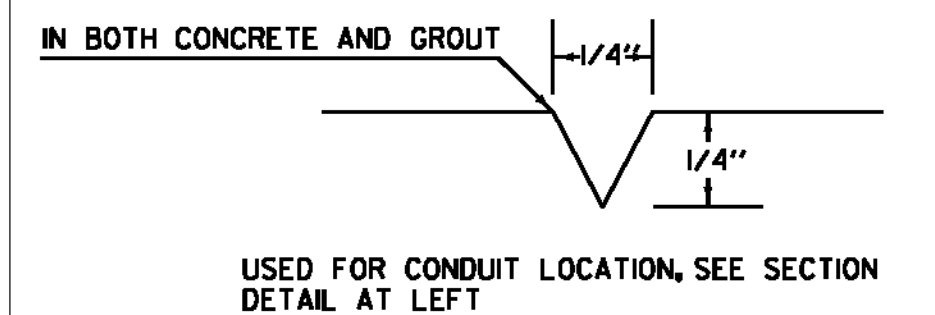
SEE CANTILEVER / OVERHEAD SIGN / SIGNAL SUPPORTS NOTE SHEET FOR ADDITIONAL INFORMATION (SHEET 46)

SEE SHEETS 51 & 52 FOR CROSS SECTIONS

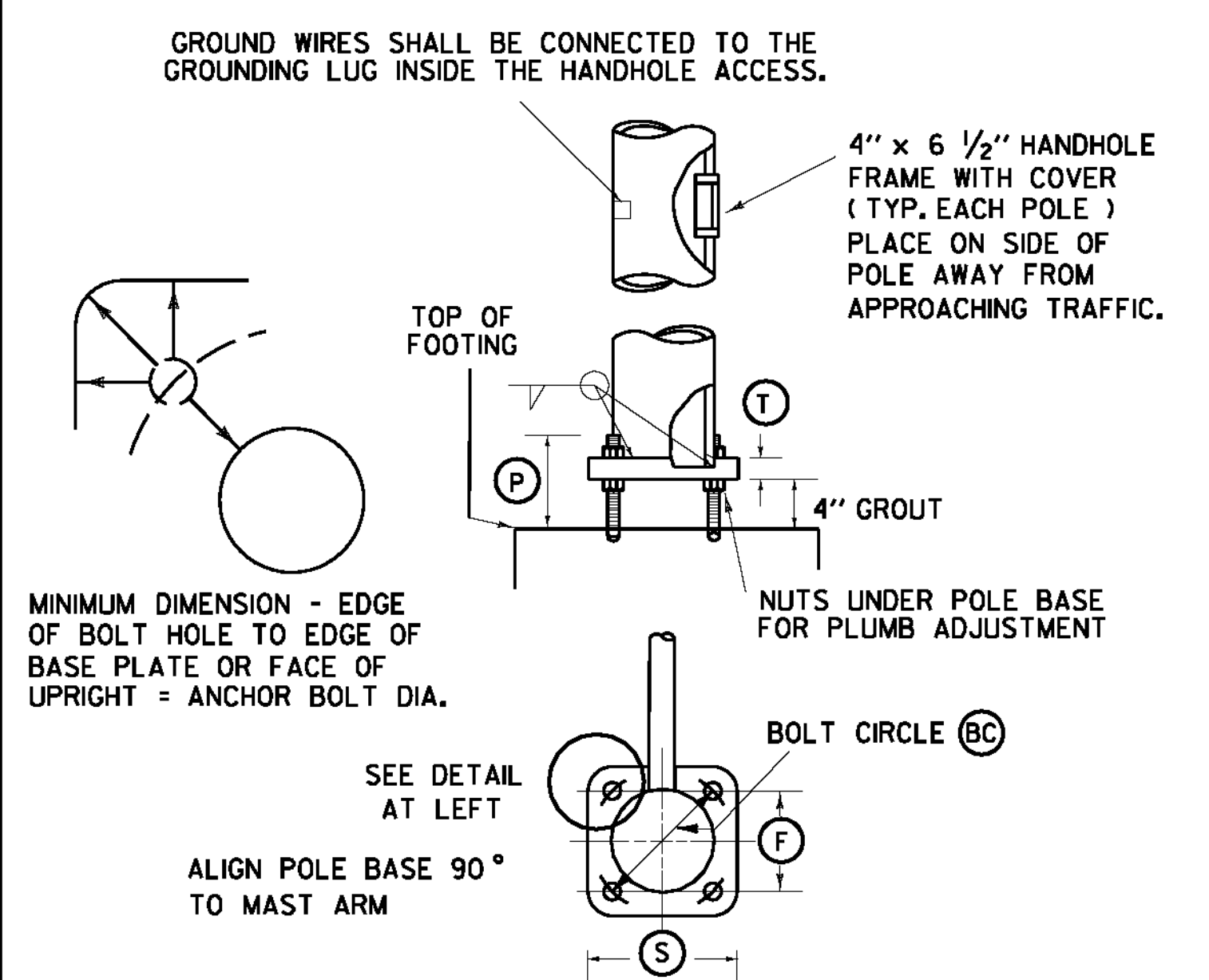
STRUCTURE DIMENSIONS (IN FEET)																														
POLE	TYPE	POLE DATA					ARM DATA						LIGHTING DATA				FOOTING DATA		BASE PLATE / BOLT DATA											
		1	2	3	4	5	6	7	8	9	10	11	12	13	14	15	16	17	18	19	20	BC	F	S	T	P	ANCHOR BOLT SIZE			
1	B	33	20					42	18						12.5	8		90	2											
2	B	33	20					42	18.5						12.5	8		0	2											
3	B	33	20					40	18						12.5	8		0	2											
4	B	33	20					33	18.3						12.5	8		90	2											



ELEVATION



2\"/>



POLE BASE AND BASE PLATE DETAIL

NOTE:
DETAILS
NTS

SINGLE MAST ARM CANTILEVER / FOOTING DETAIL SHEET
FOR TRAFFIC SIGNAL PLANS 1 (FEGC F 026-1(34) C/1)

PREPARED BY JAR DATE 4/5/2010
CHECKED BY CMB DATE 4/5/2010
DESIGN SUPERVISOR DATE
PROJ. BARRE CITY -
NORTH MAIN ST.
TRAFFIC SHEET NO. 3 OF 5
SHEET 50 OF 95 SHEETS

LAST REVISED 8/15/95