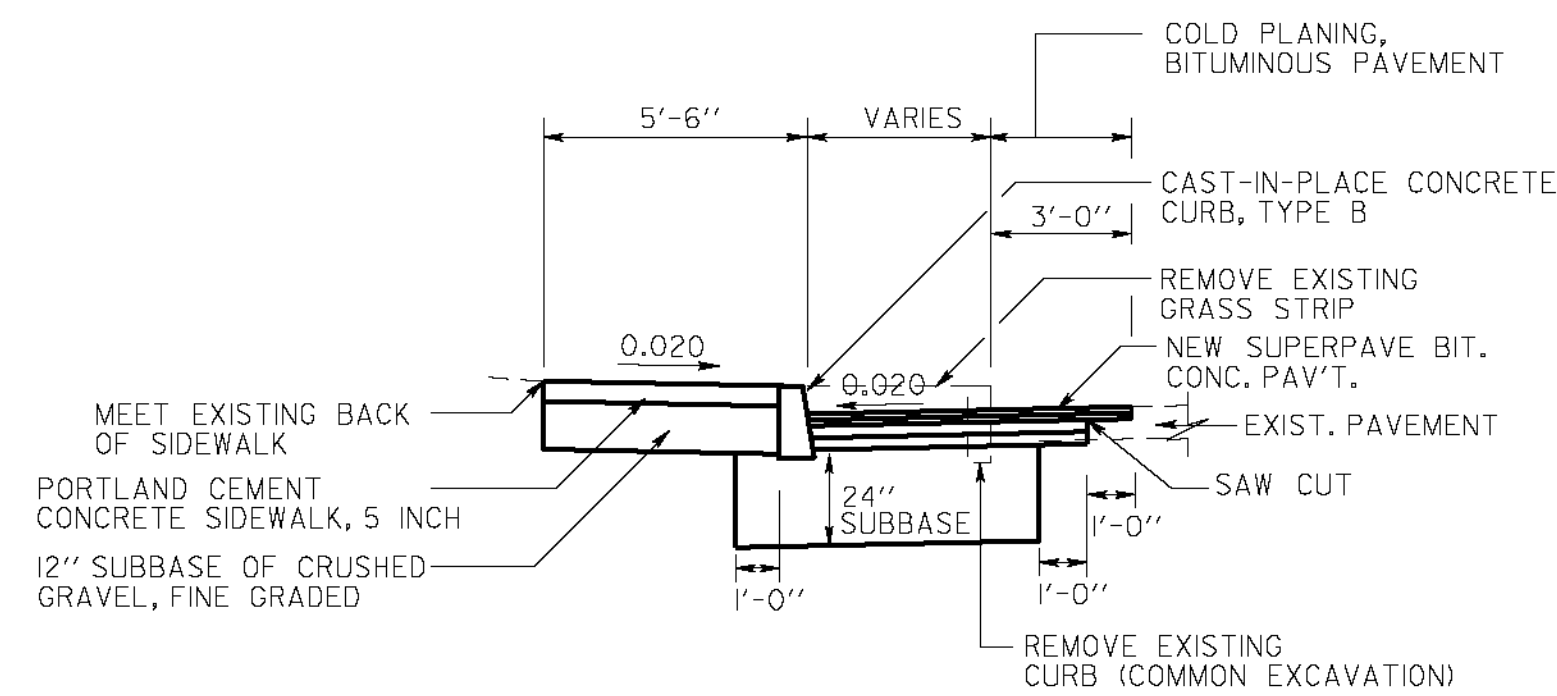


MATERIAL TOLERANCES	
MATERIAL ITEM	THICKNESS TOLERANCE
PAVEMENT (TOTAL DEPTH)	3/4"
SUBBASE	1"
SAND	1"

TYPICAL SECTIONS

- 1/2" SUPERPAVE BITUMINOUS CONCRETE PAVEMENT TYPE IVS (PG 70-28)**
- 1/2" SUPERPAVE BITUMINOUS CONCRETE PAVEMENT TYPE IVS (PG 70-28)**
- 3" SUPERPAVE BITUMINOUS CONCRETE PAVEMENT TYPE IIS (PG 70-28)**
- 3" SUPERPAVE BITUMINOUS CONCRETE PAVEMENT TYPE IIS (PG 70-28)**
- 24" SUBBASE OF DENSE GRADED CRUSHED STONE

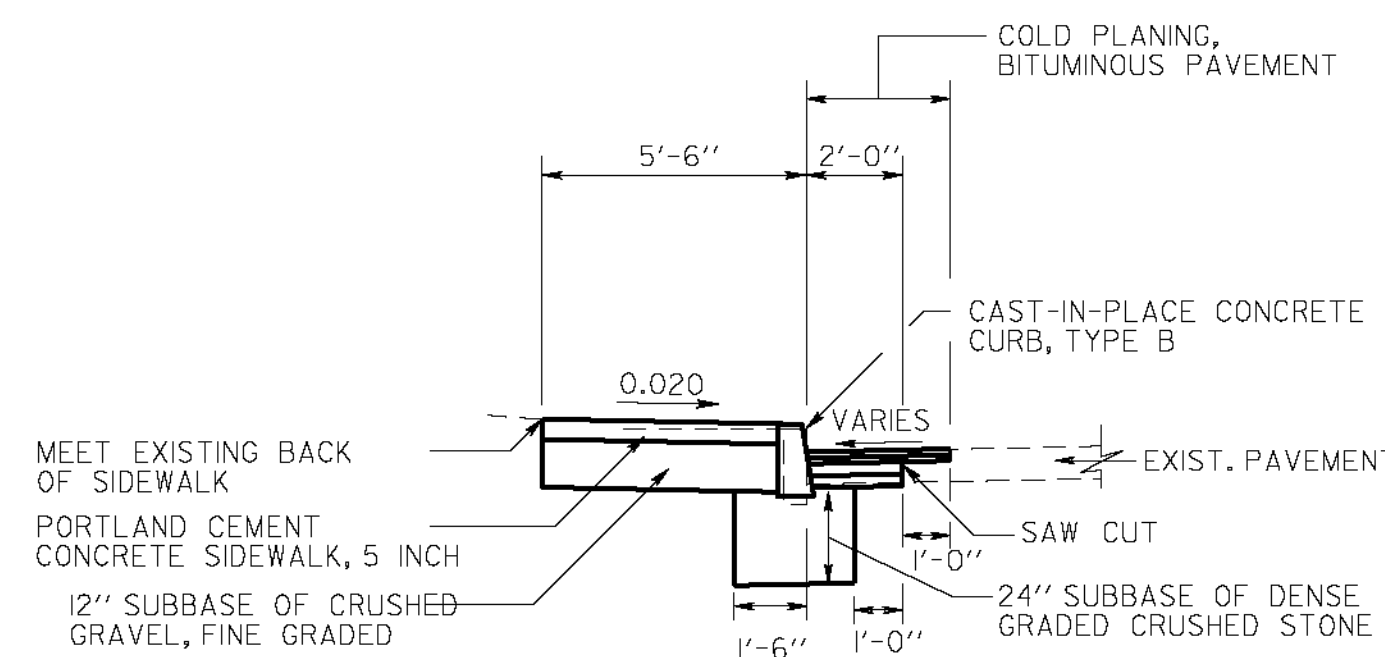
** NOTE
THE PERFORMANCE-GRADED (PG) ASPHALT BINDER SHALL BE EITHER PG 70-28, OR IN ACCORDANCE WITH SECTION 490 OF THE GENERAL SPECIAL PROVISIONS.



- 1/2" SUPERPAVE BIT. CONC. PAV'T TYPE IVS
- 1/2" SUPERPAVE BIT. CONC. PAV'T TYPE IVS
- 3" SUPERPAVE BIT. CONC. PAV'T TYPE IIS
- 3" SUPERPAVE BIT. CONC. PAV'T TYPE IIS
- 24" SUBBASE OF DENSE GRADED CRUSHED STONE

ROADWAY WIDENING (MAPLE AVENUE & SUMMER STREET)

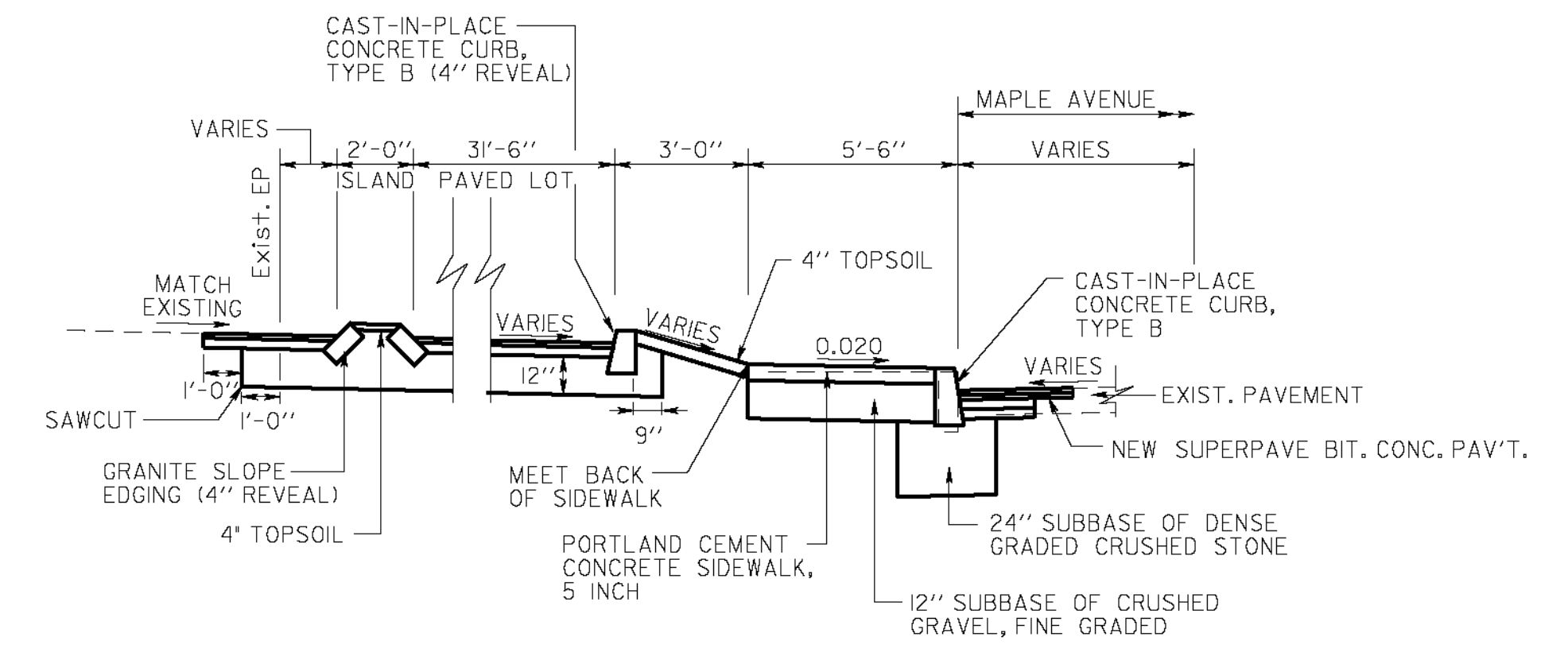
N.T.S.
STA. 23+42 RT - 400+43 RT
STA. 400+53 - 400+83 RT
STA. 24+91 RT - 401+01 LT
STA. 40216 - 402+22 LT



- 1/2" SUPERPAVE BIT. CONC. PAV'T TYPE IVS
- 1/2" SUPERPAVE BIT. CONC. PAV'T TYPE IVS
- 3" SUPERPAVE BIT. CONC. PAV'T TYPE IIS
- 3" SUPERPAVE BIT. CONC. PAV'T TYPE IIS
- 24" SUBBASE OF DENSE GRADED CRUSHED STONE

CURB & SIDEWALK RECONSTRUCTION (MAPLE AVENUE & SUMMER STREET)

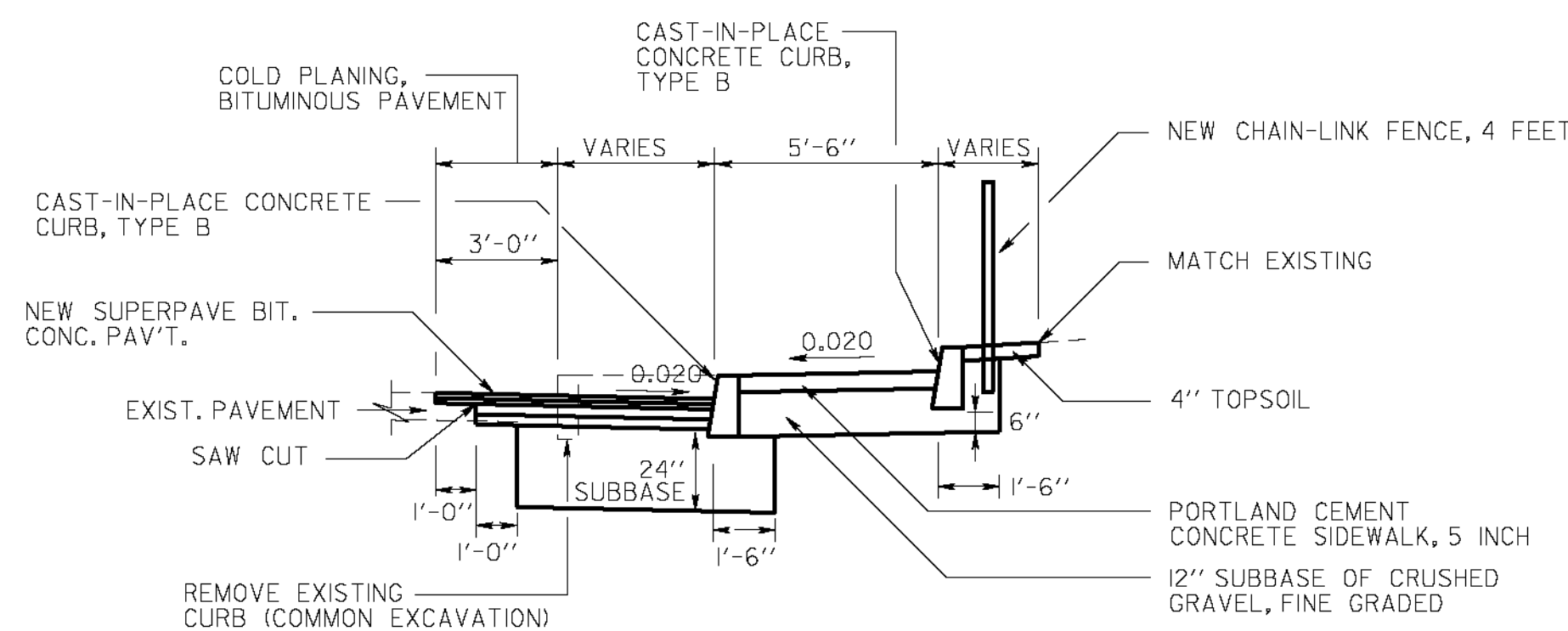
N.T.S.
STA. 23+75 - 24+92 LT
STA. 421+94 LT - 707+63 LT



- PARKING LOT PAVEMENT
- 1/2" SUPERPAVE BIT. CONC. PAV'T TYPE IVS
- 3" SUPERPAVE BIT. CONC. PAV'T TYPE IIS
- 12" SUBBASE OF DENSE GRADED CRUSHED STONE

PROPOSED MAPLE AVENUE PARKING LOT

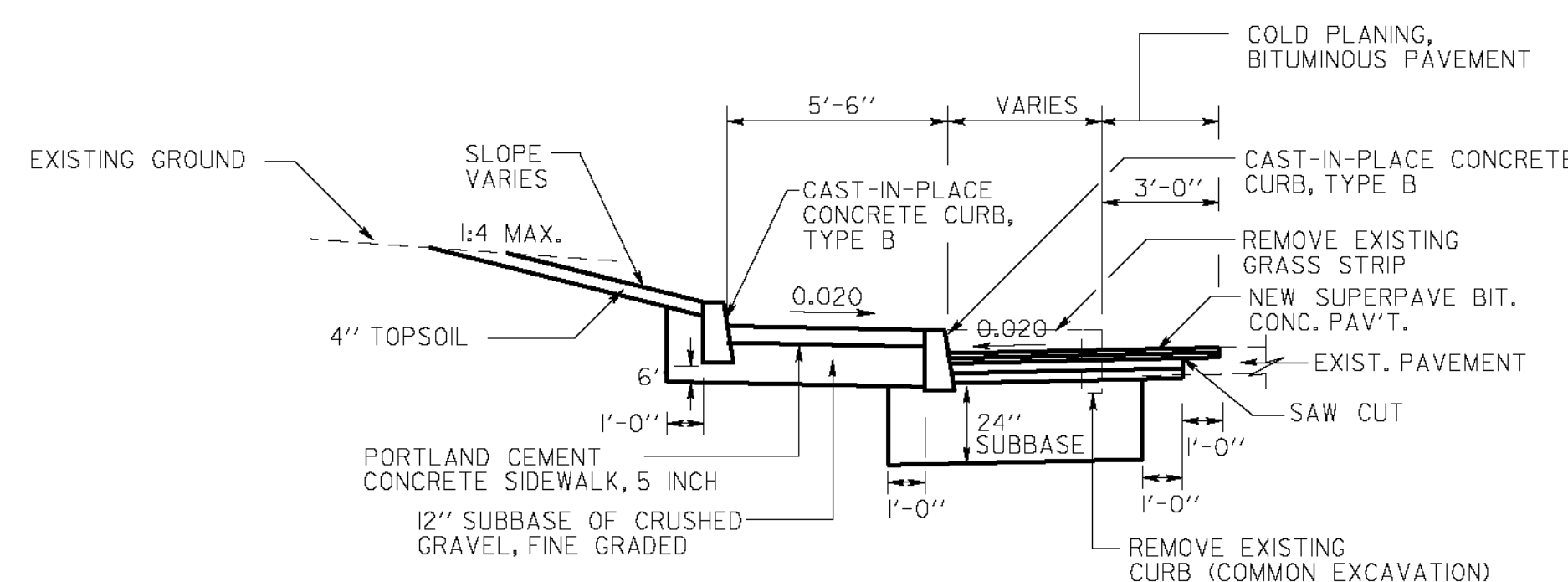
N.T.S.
STA. 21+51 - 22+45 LT



- 1/2" SUPERPAVE BIT. CONC. PAV'T TYPE IVS
- 1/2" SUPERPAVE BIT. CONC. PAV'T TYPE IVS
- 3" SUPERPAVE BIT. CONC. PAV'T TYPE IIS
- 3" SUPERPAVE BIT. CONC. PAV'T TYPE IIS
- 24" SUBBASE OF DENSE GRADED CRUSHED STONE

ROADWAY WIDENING (SUMMER STREET)

N.T.S.
STA. 400+43-400+53 RT



- 1/2" SUPERPAVE BIT. CONC. PAV'T TYPE IVS
- 1/2" SUPERPAVE BIT. CONC. PAV'T TYPE IVS
- 3" SUPERPAVE BIT. CONC. PAV'T TYPE IIS
- 3" SUPERPAVE BIT. CONC. PAV'T TYPE IIS
- 24" SUBBASE OF DENSE GRADED CRUSHED STONE

ROADWAY WIDENING (SUMMER STREET)

N.T.S.
STA. 401+01-402+16 LT

PROJECT NAME: BARRE CITY
PROJECT NUMBER: FECC F 026-1(34) C/1

FILE NAME: z09B240_TYP.dgn
PROJECT LEADER: G. BAKOS
DESIGNED BY: DMP / MDS
TYPICAL SECTIONS

PLOT DATE: 4/5/2010
DRAWN BY: DMP / JAR
CHECKED BY:
SHEET 3 OF 95