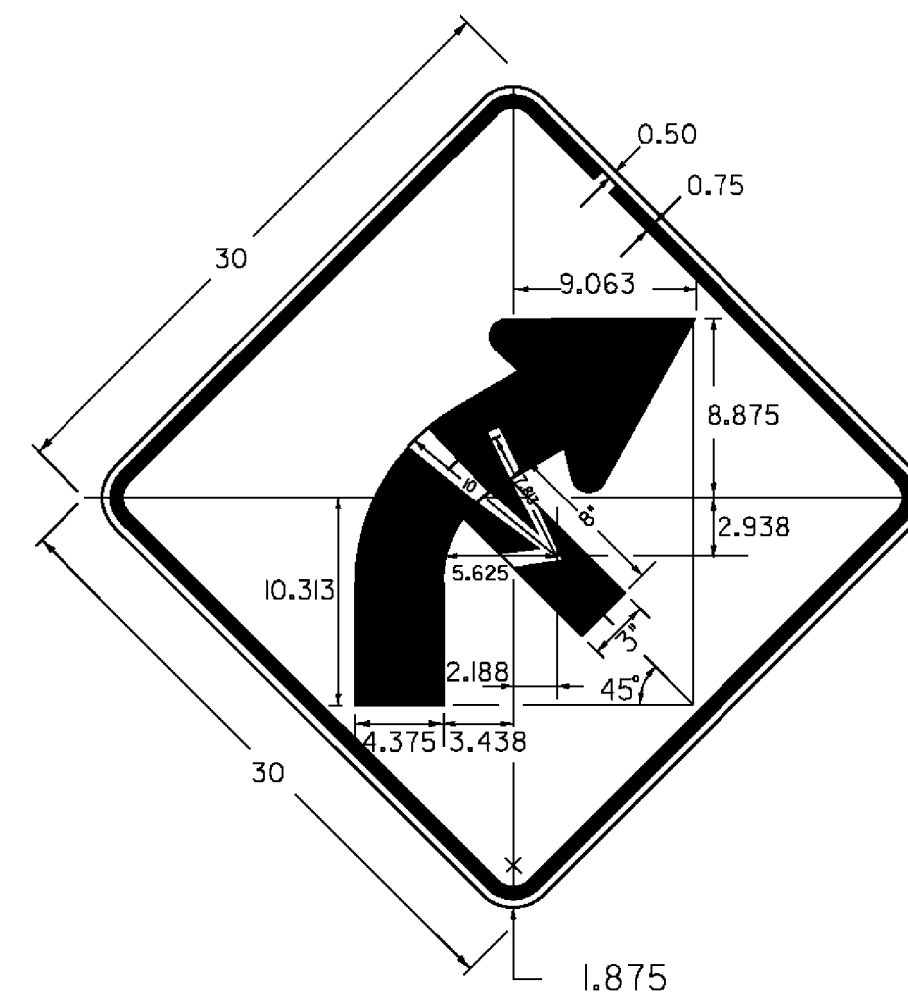


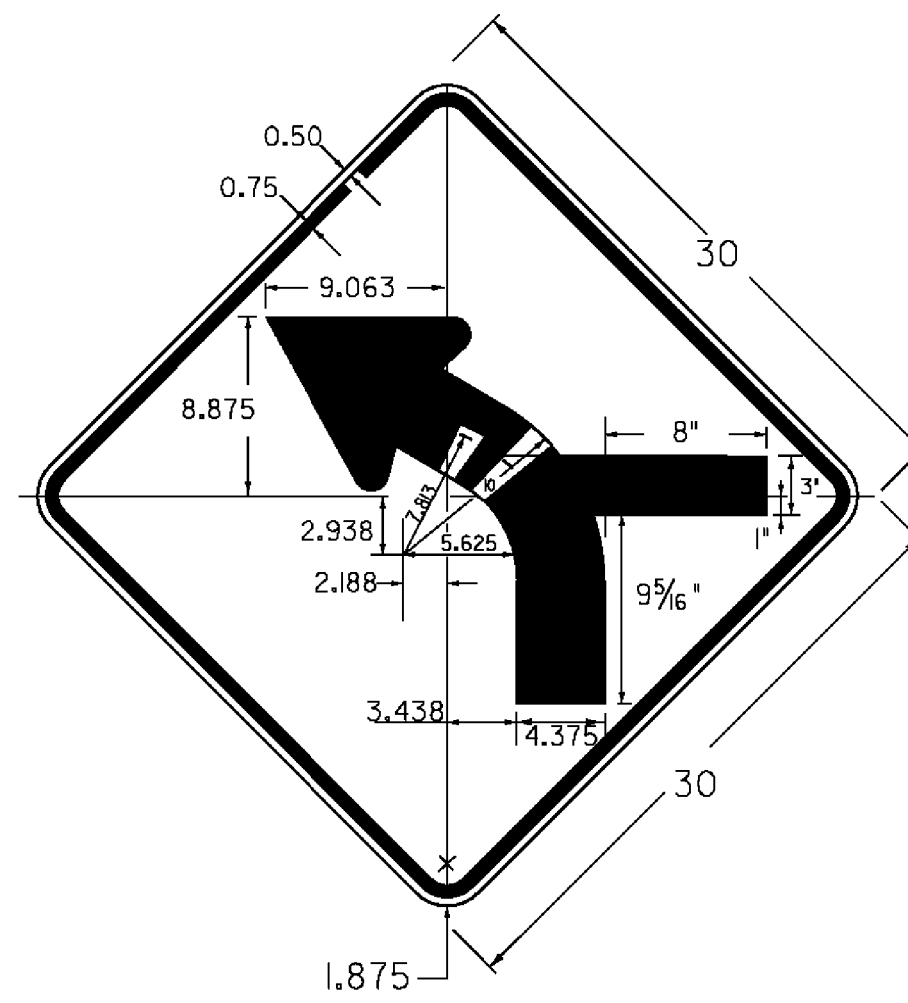
WI-2Ma R

COLORS:
TEXT & BORDER = BLACK
BACKGROUND = YELLOW



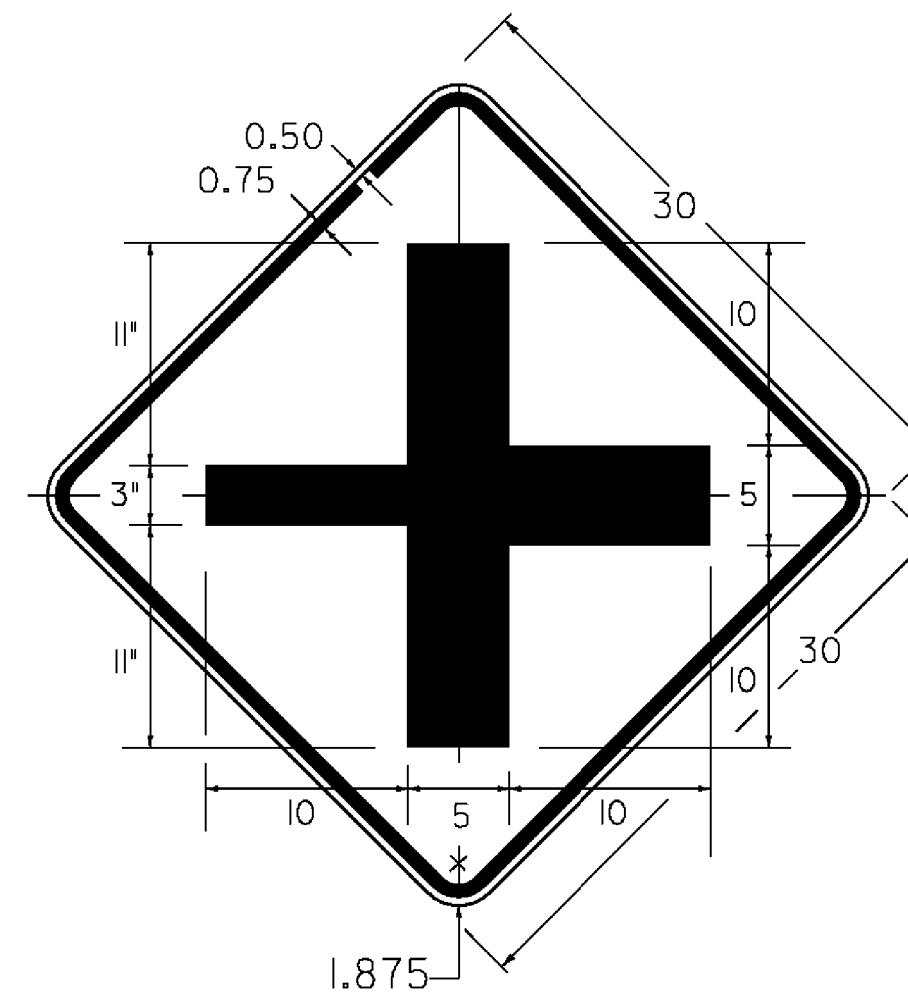
WI-2Mb L

COLORS:
TEXT & BORDER = BLACK
BACKGROUND = YELLOW



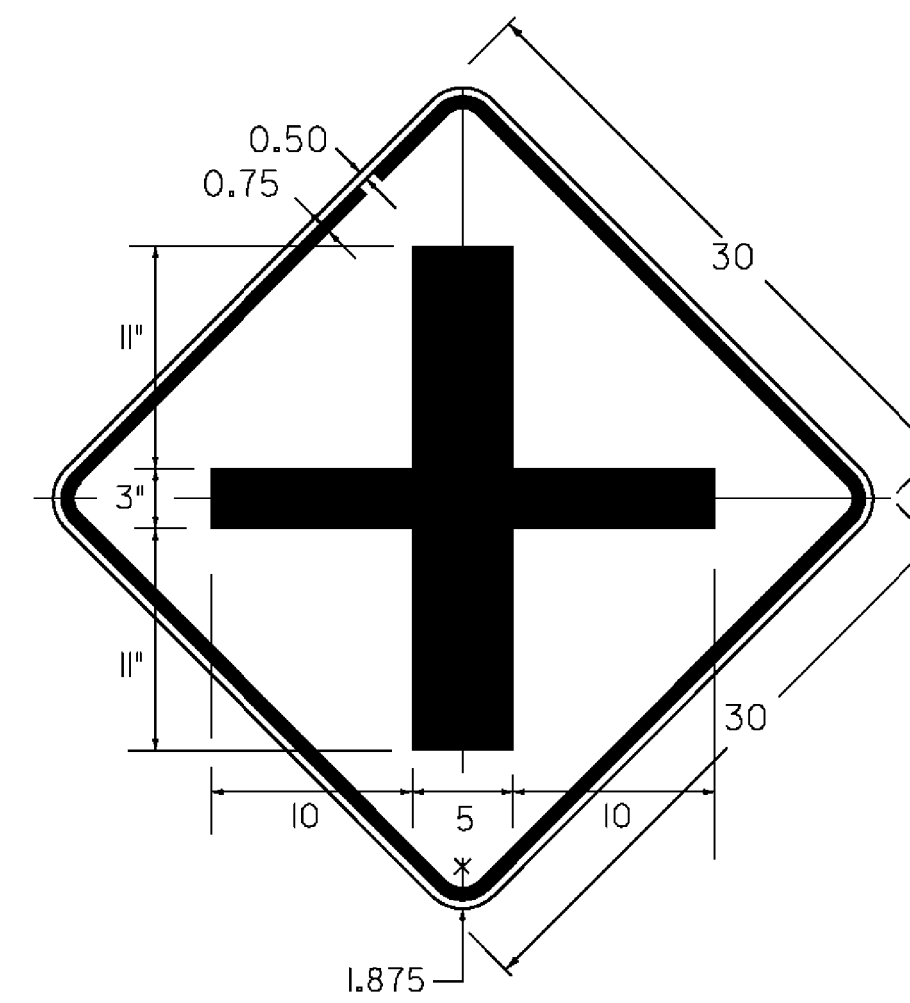
WI-2Mc L

COLORS:
TEXT & BORDER = BLACK
BACKGROUND = YELLOW



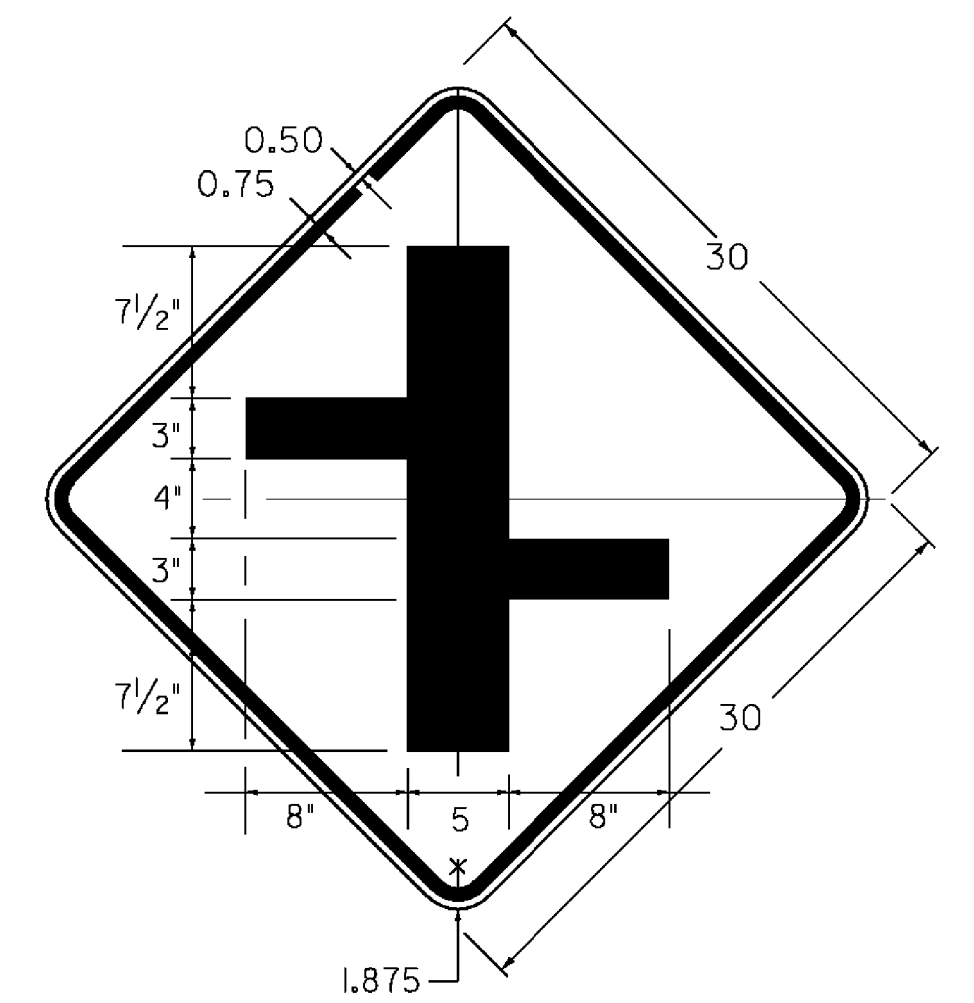
W2-1Ma

COLORS:
TEXT & BORDER = BLACK
BACKGROUND = YELLOW



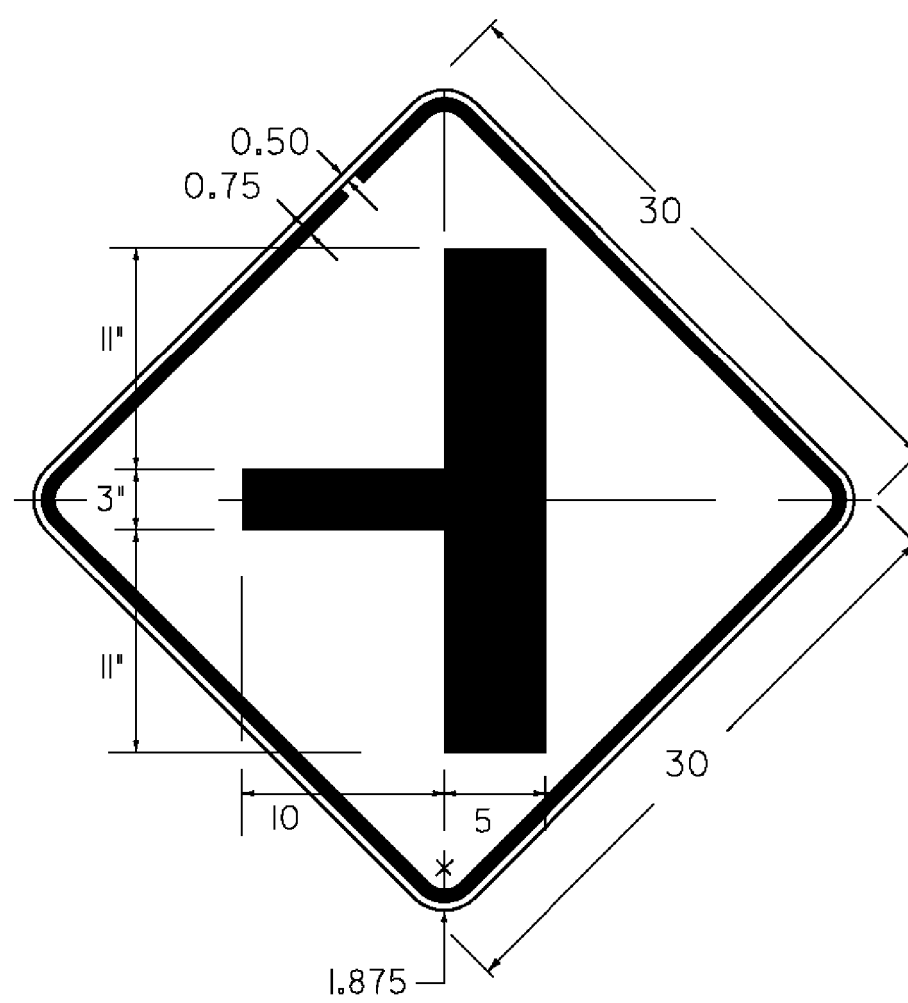
W2-1Mb

COLORS:
TEXT & BORDER = BLACK
BACKGROUND = YELLOW



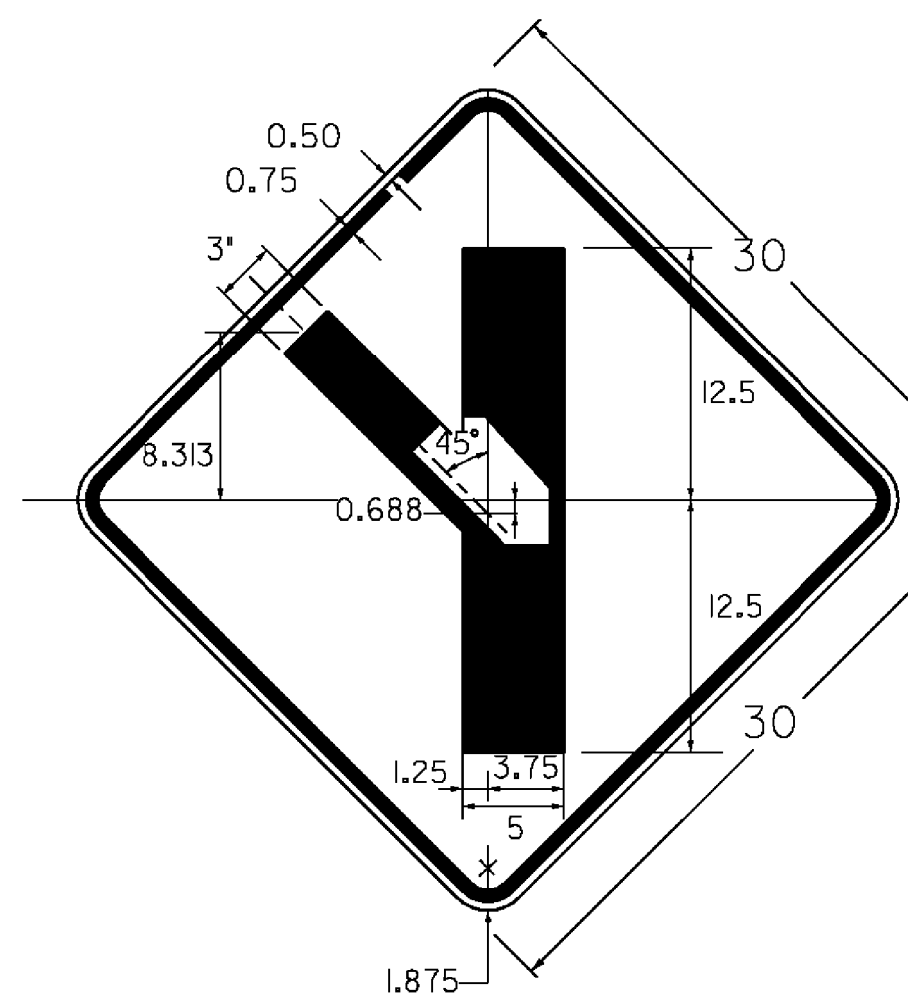
W2-1Mf

COLORS:
TEXT & BORDER = BLACK
BACKGROUND = YELLOW



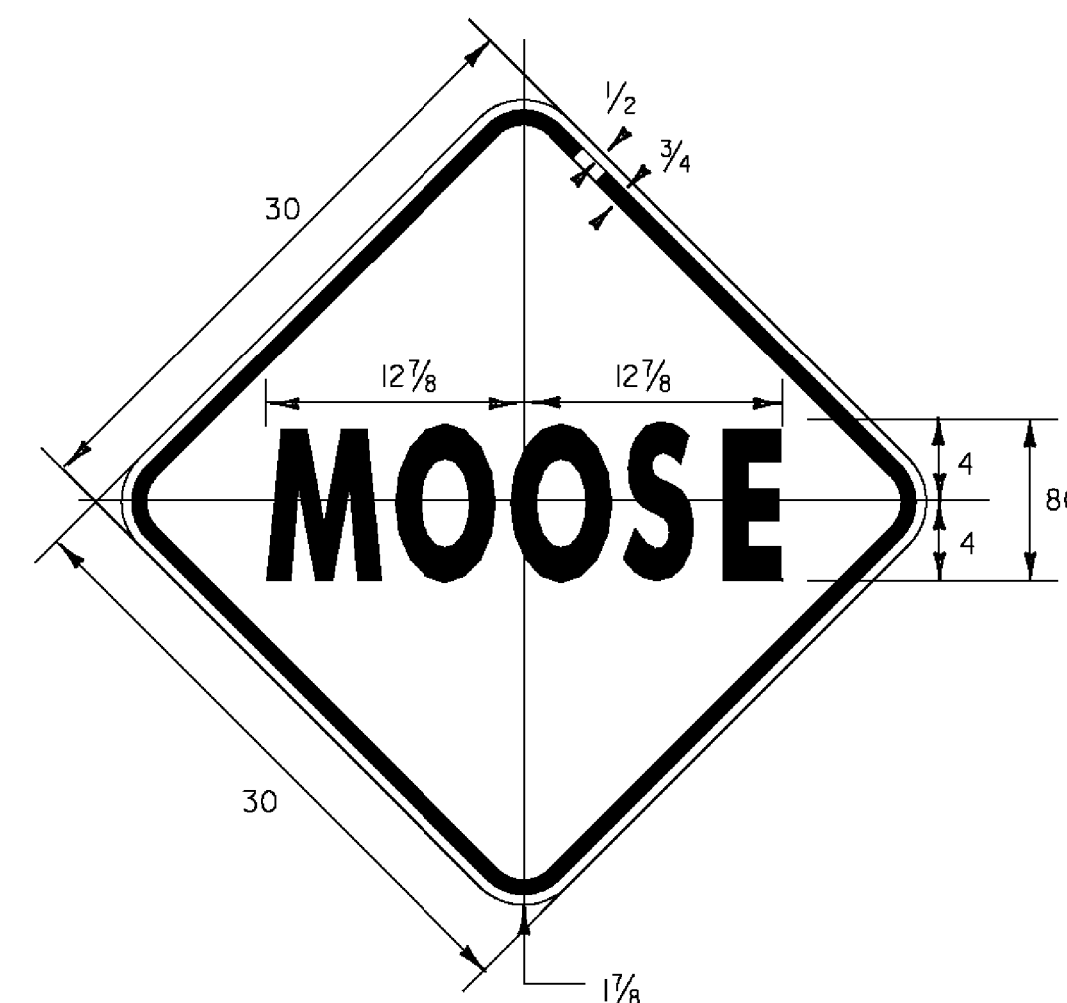
W2-2Ma L (R)

COLORS:
TEXT & BORDER = BLACK
BACKGROUND = YELLOW



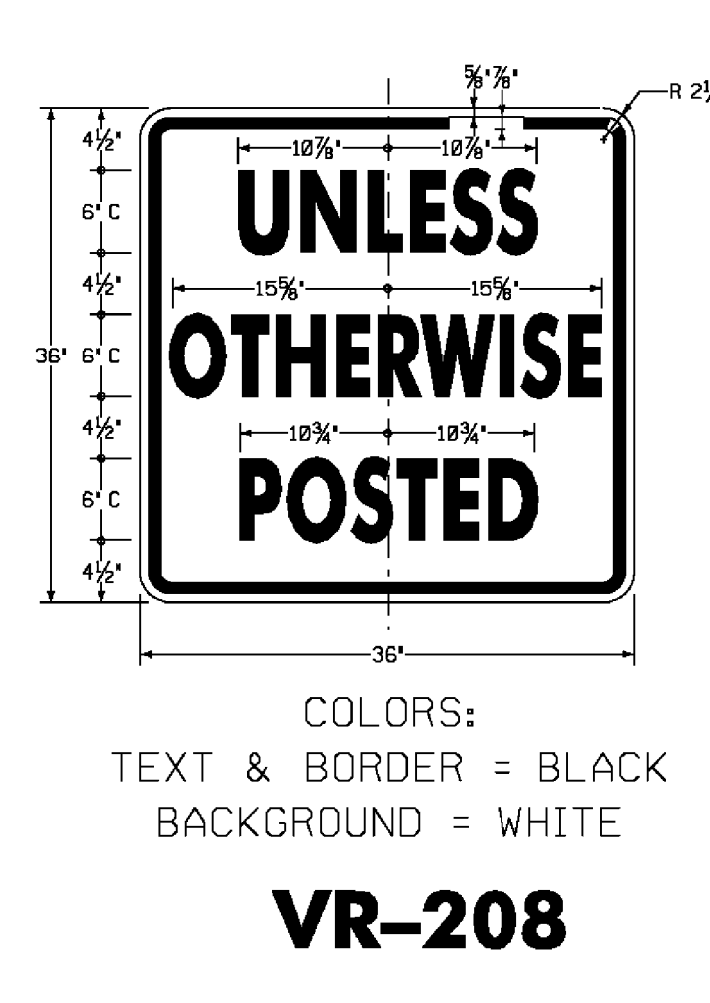
W2-3Ma L

COLORS:
TEXT & BORDER = BLACK
BACKGROUND = YELLOW



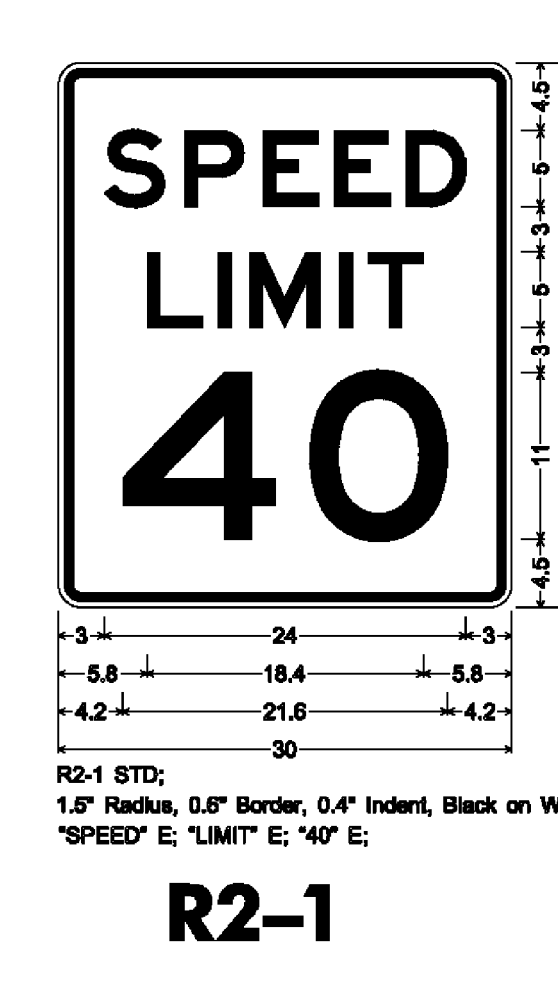
VW-001

COLORS:
TEXT & BORDER = BLACK
BACKGROUND = YELLOW



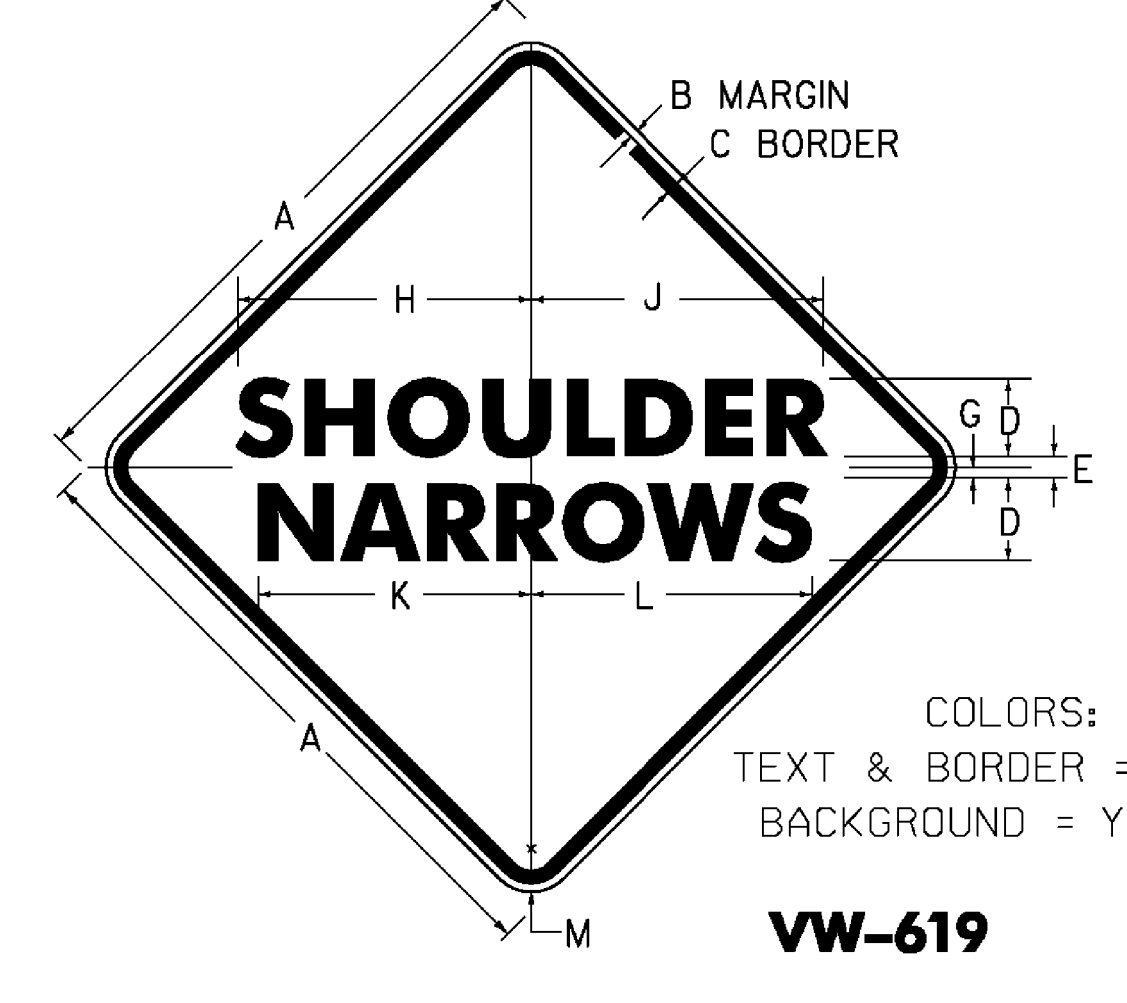
VR-208

COLORS:
TEXT & BORDER = BLACK
BACKGROUND = WHITE



R2-1

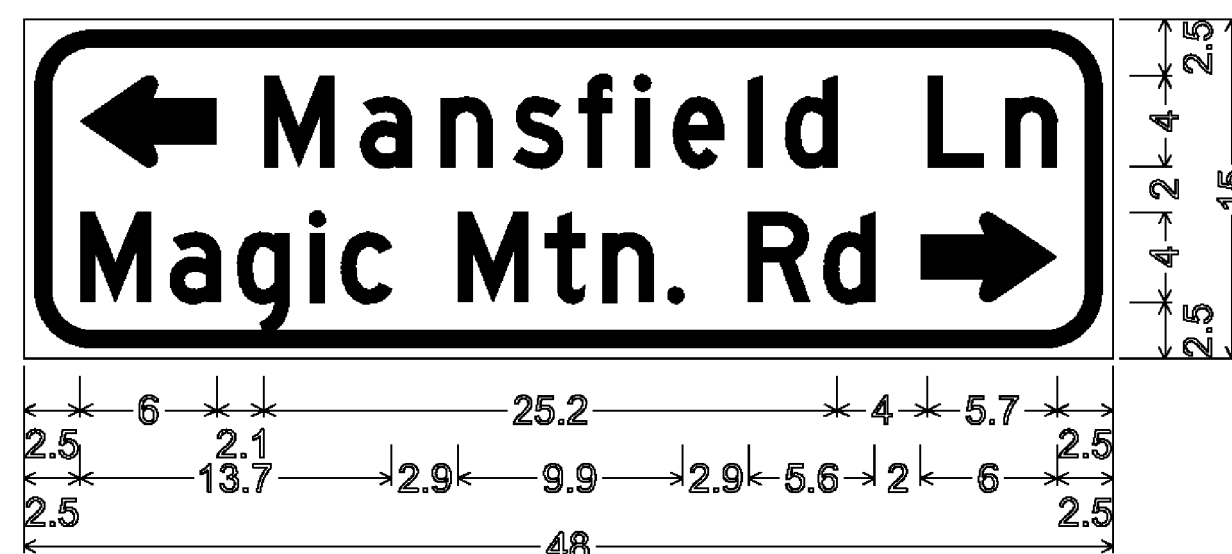
R2-1 STD:
1.5" Radius, 0.6" Border, 0.4" Indent, Black on White;
"SPEED" E; "LIMIT" E; "40" E;



VW-619

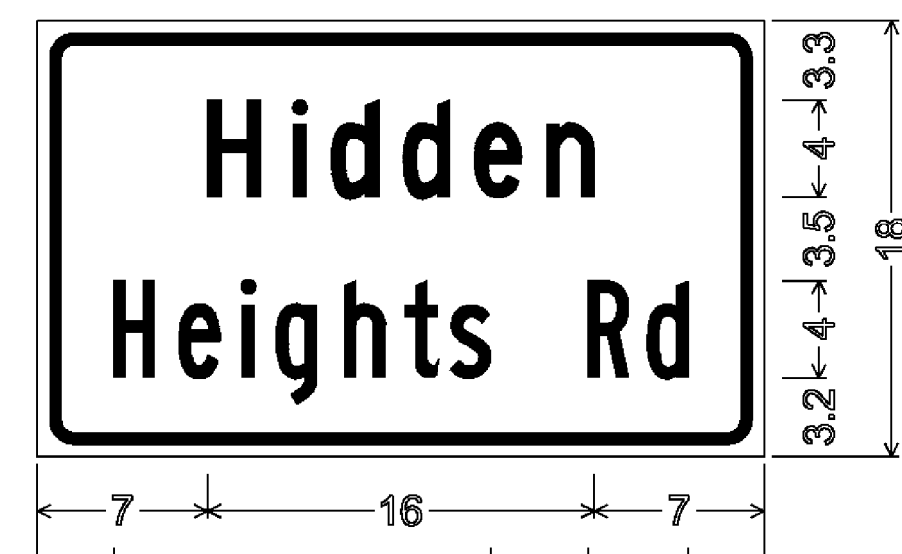
COLORS:
TEXT & BORDER = BLACK
BACKGROUND = YELLOW

SIGN	DIMENSIONS (INCHES)											
	A	B	C	D	E	F	G	H	J	K	L	M
MIN & STD.	36	5/8	7/8	5C	3	6D	I	13 1/16	13 1/16	17 5/8	18 1/4	2 1/4
EXPWY.	48	3/4	1 1/4	7D	3 1/2	7D	I	23 9/16	23 3/16	2 1/2	2 1/16	3



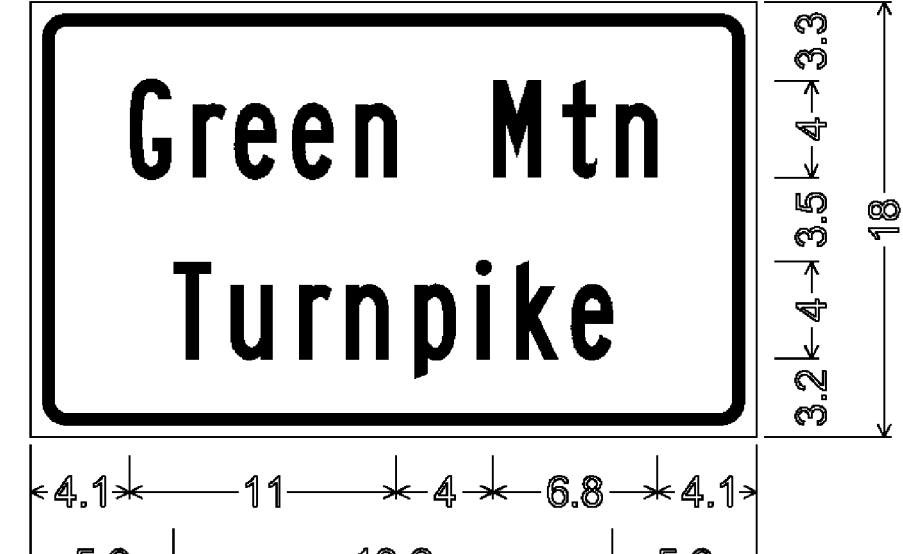
W16-8a

3.0" Radius, 0.8" Border, 0.5" Indent, Black on Yellow;
Standard Arrow Custom 6.0" X 4.0" 180°;
"Mansfield Ln" D; "Magic Mtn. Rd" D specified length;
Standard Arrow Custom 6.0" X 4.0" 0°;



W16-8a

1.5" Radius, 0.5" Border, 0.5" Indent, Black on Yellow;
"Hidden" C; "Heights Rd" B;



W16-8a

1.5" Radius, 0.5" Border, 0.5" Indent, Black on Yellow;
"Green Mtn" B; "Turnpike" B;



VM-607

1.9" Radius, 0.8" Border, White on Green;
"VETERANS" C; "MEMORIAL" C;
"BRIDGE" C;

SIGN NOTES

- ALL SIGNS SHALL BE IN ACCORDANCE WITH THE MANUAL ON UNIFORM TRAFFIC CONTROL DEVICES (MUTCD) AND THE "STANDARD HIGHWAY SIGNS" BOOK (SHS) PUBLISHED BY THE FEDERAL HIGHWAY ADMINISTRATION (FHWA), UNLESS OTHERWISE NOTED IN THE SIGN SUMMARY SHEETS.
- ALL COLORS SHALL CONFORM WITH THE STANDARD COLORS ADOPTED BY THE AMERICAN ASSOCIATION OF STATE HIGHWAY AND TRANSPORTATION OFFICIALS (AASHTO) AND APPROVED BY FHWA, UNLESS OTHERWISE NOTED IN THE SIGN SUMMARY SHEETS.

PROJECT NAME: MANCHESTER - SPRINGFIELD

PROJECT NUMBER: STPG SIGN (25)

FILE NAME: 09B032.dgn
PROJECT LEADER: A. GAMBLE
DESIGNED BY: N. AVERY
SIGN DETAILS 3

PLOT DATE: 02/06/09
DRAWN BY: N. AVERY
CHECKED BY: A. GAMBLE
SHEET 6 OF 15