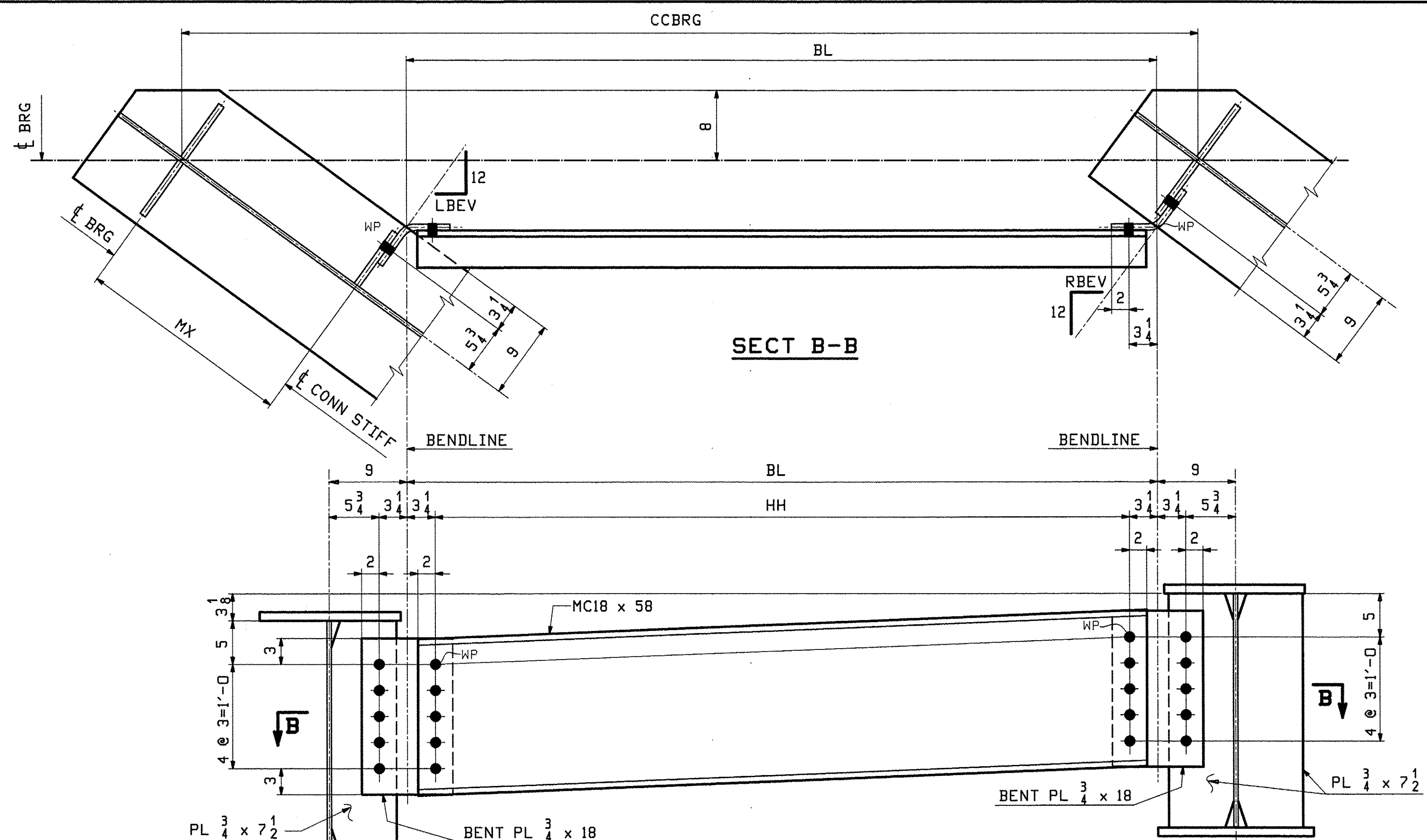


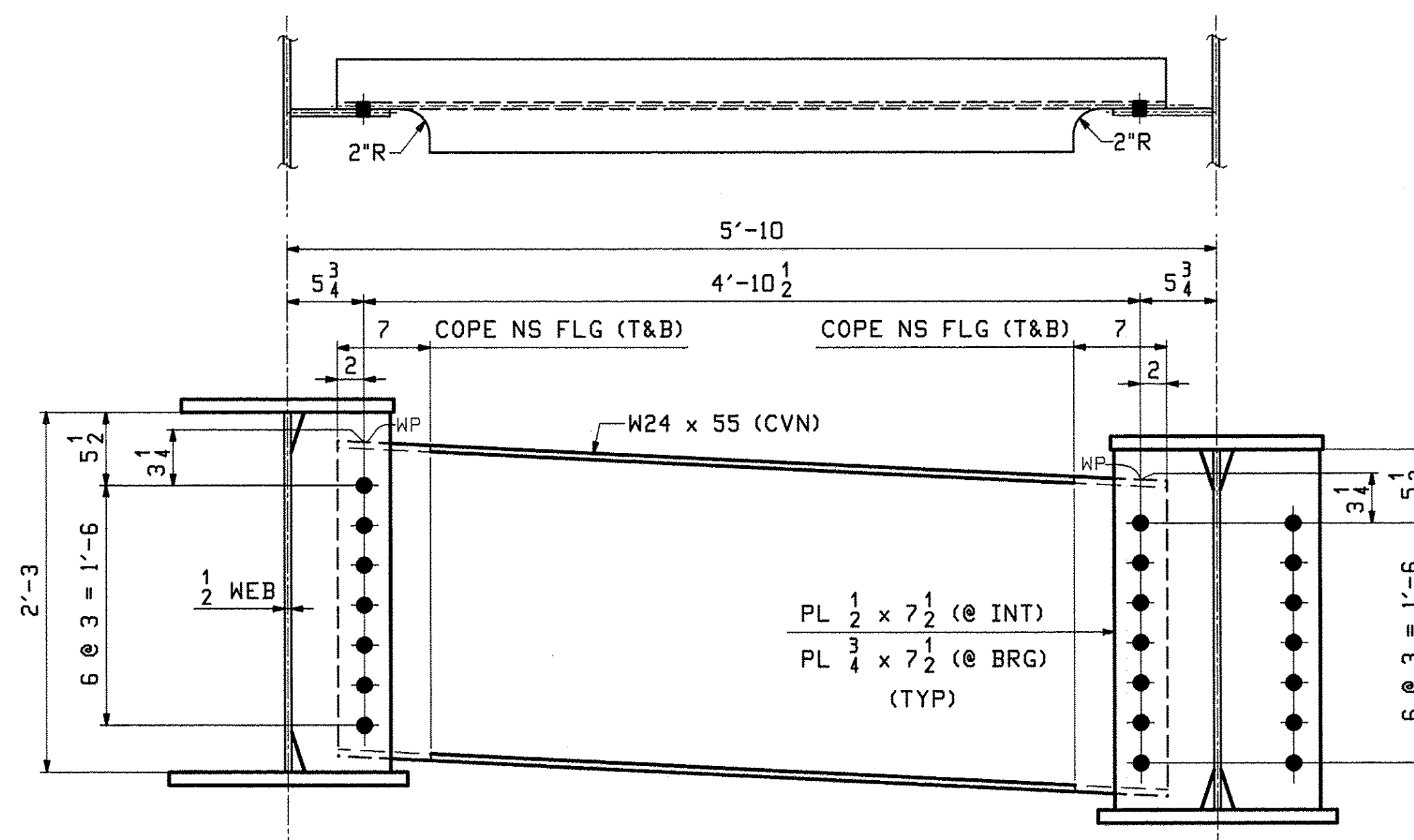
END DIAPHRAGM @ ABUT. 1
(LOOKING TOWARD BACKWALL)
(RE: DES 42 OF 78)

DIAPH	CCBRG	BL	HH	MX	LBEV	RBEV
ED1	7'-2"	5'-4 ⁹ / ₁₆ "	4'-10 ¹ / ₁₆ "	1'-0 ¹ / ₂ "	8 ¹ / ₂ "	8 ⁵ / ₈ "
ED2	7'-2 ³ / ₈ "	5'-4 ¹³ / ₁₆ "	4'-10 ⁵ / ₁₆ "	1'-0 ⁵ / ₈ "	8 ⁵ / ₈ "	8 ³ / ₄ "
ED3	7'-2 ³ / ₄ "	5'-5 ¹ / ₈ "	4'-10 ⁵ / ₈ "	1'-0 ¹³ / ₁₆ "	8 ³ / ₄ "	8 ¹³ / ₁₆ "
ED4	7'-3 ¹ / ₈ "	5'-5 ⁷ / ₁₆ "	4'-10 ¹⁵ / ₁₆ "	1'-0 ¹⁵ / ₁₆ "	8 ¹³ / ₁₆ "	8 ¹⁵ / ₁₆ "



END DIAPHRAGM @ ABUT. 2
(LOOKING TOWARD BACKWALL)
(RE: DES 42 OF 78)

DIAPH	CCBRG	BL	HH	MX	LBEV	RBEV
ED5	10'-2"	7'-6 ¹³ / ₁₆ "	7'-0 ⁵ / ₁₆ "	2'-1 ¹¹ / ₁₆ "	8 ⁵ / ₁₆ "	8 ¹ / ₂ "
ED6	10'-0"	7'-5 ⁵ / ₁₆ "	6'-10 ¹³ / ₁₆ "	2'-1 ¹ / ₁₆ "	8 ¹ / ₂ "	8 ³ / ₄ "
ED7	9'-10 ¹ / ₈ "	7'-3 ¹⁵ / ₁₆ "	6'-9 ⁷ / ₁₆ "	2'-0 ⁷ / ₁₆ "	8 ³ / ₄ "	8 ¹⁵ / ₁₆ "
ED8	9'-8 ¹ / ₂ "	7'-2 ¹¹ / ₁₆ "	6'-8 ³ / ₁₆ "	1'-11 ¹⁵ / ₁₆ "	8 ¹⁵ / ₁₆ "	9 ¹ / ₈ "



TYPICAL INT. DIAPH. ~ D1
(LOOKING BACK STATION)
(RE: DES 42 OF 78)

REV.	DATE	REMARKS	DWN	CHK	APVL	SHOP
0						
						MAY 23 2012
MATERIAL:		SURFACE PREP. & PAINT:		HOLES:		SHOP BOLTS:
				AS NOTED		AS NOTED
DESCRIPTION: DIAPHRAGM LAYOUTS						
CASCO BAY STEEL STRUCTURES, INC.						
1 WALLACE AVE.			PHONE (207) 780-6722		TENSOR 3124	
SOUTH PORTLAND, ME 04106			FAX. (207) 780-6726			
STRUCTURE: THETFORD VT. RTE 132 OVER THE WEST BRANCH OF OMPOMPANOOSUC RIVER				DRAWN:	DATE:	
				WL	04/23	
				CHKD:	DATE:	
				RLA	04/23	
LOCATION: THETFORD, VT				JOB NO.	DWG NO.	
PROJ NO. BHF 0177(9)				518	TD1	
CUSTOMER: A.L. ST. ONGE CONTRACTING				REV.	▲	