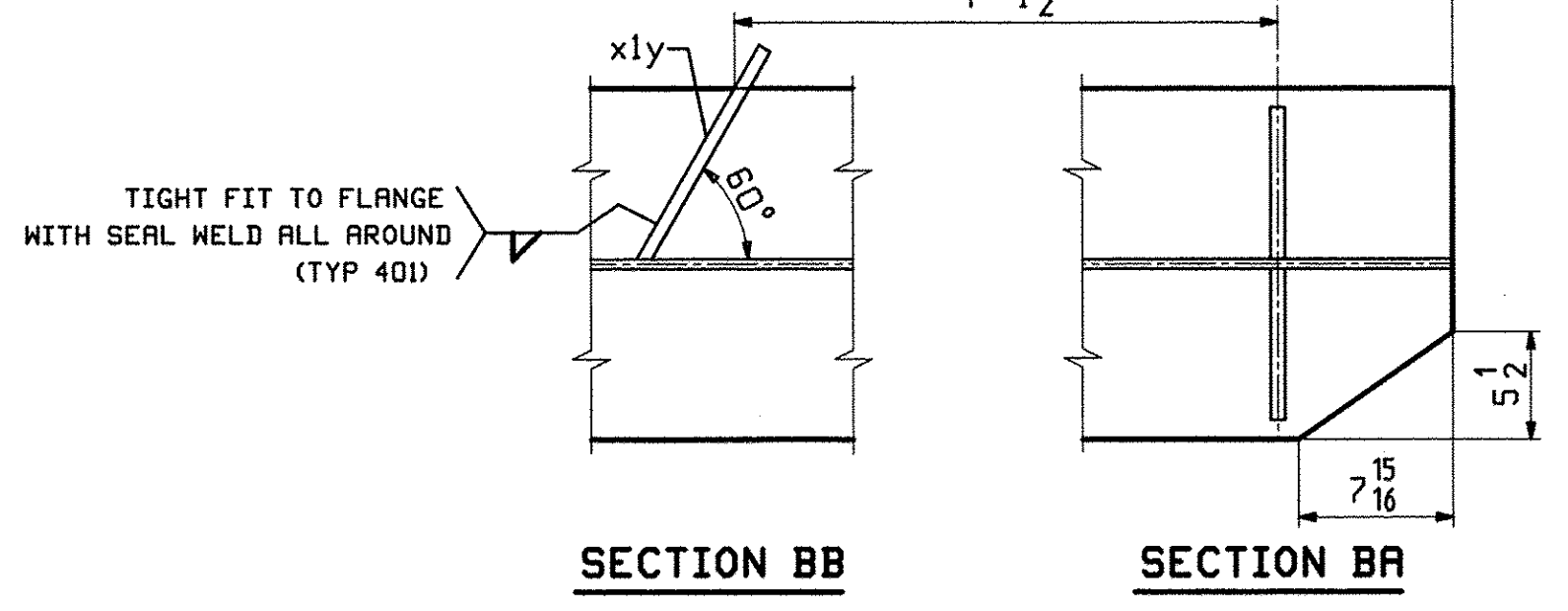
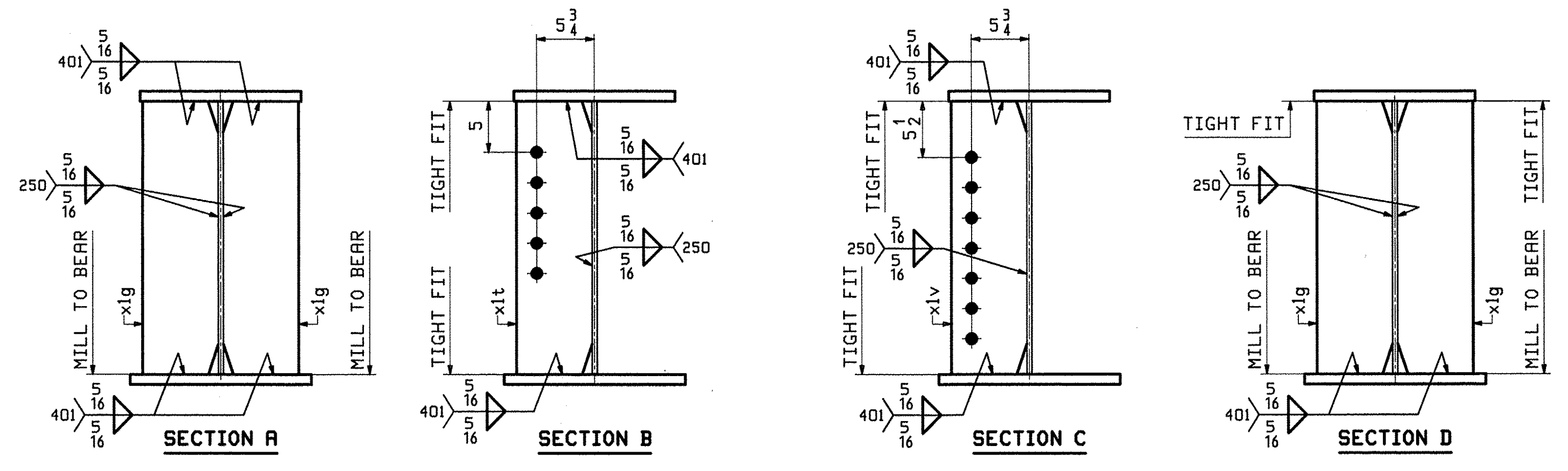
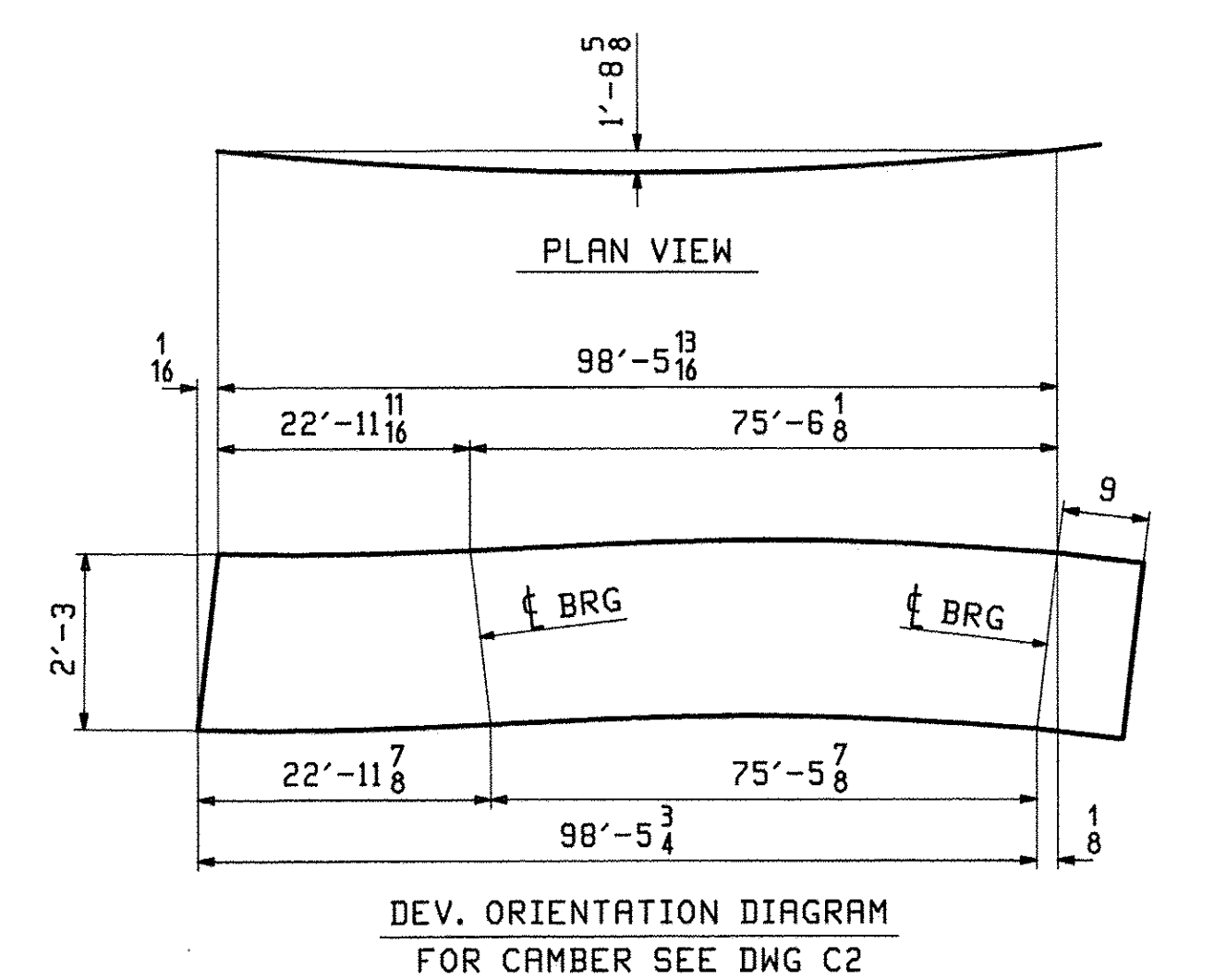


ONE - GIRDER - 11G1C (DEVELOPED)

FOR GIRDER STANDARD DETAILS SEE DRAWING X1.
 FOR CAMBER DIAGRAMS SEE DRAWING C2.
 FOR FLANGE DIAGRAMS SEE DRAWING F3.
 FOR GENERAL NOTES SEE DRAWING GNI.
 T2 DENOTES MATERIAL SUBJECT TO CHARPY V-NOTCH TESTING.



PAGE	LINE	MARK	QTY	MARK	MATERIAL	LENGTH		REMARKS	WT	PROCUREMENT NOTES
						FT	INCHES			
		11G1C	1		GIRDER				16430	
4	Q		1	wa	PL 1/2 x 27	39	2 13/16	M270-50WT2	1802	
3	S		1	wb	PL 1/2 x 27	60	0 1/8	M270-50WT2	2757	
3	E		1	ta	PL 1 x 16	50	2 13/16	M270-50WT2	2735	
3	G		1	tb	PL 1 x 16	49	0	M270-50WT2	2668	
1	W		1	ba	PL 1 x 18	50	2 13/16	M270-50WT2	3077	
1	Y		1	bb	PL 1 x 18	48	11 15/16	M270-50WT2	3001	
5	J		4	xlg	PL 3/4 x 7 1/2	2	3	MIE M270-50WT2	172	
5	K		1	xlt	PL 3/4 x 7 1/2	2	3	M270-50WT2	43	
5	L		6	xlv	PL 2 x 7 1/2	2	3	M270-50WT2	172	
5	M		1	xly	PL 1/4 x 3	1	0 1/4		3	



REV.	DATE	REMARKS	DWN	CHK	APVL	SHOP
0						
						MAY 23 2012
MATERIAL:	SURFACE PREP. & PAINT:		HOLES:		SHOP BOLTS:	
M270-50W (UN)	SEE DWG GNI		15/16" ϕ (UN)		NONE	
DESCRIPTION: GIRDER - 11G1C						
CASCO BAY STEEL STRUCTURES, INC.						
1 WALLACE AVE.			PHONE (207) 780-6722		TENSOR 3124	
SOUTH PORTLAND, ME 04106			FAX. (207) 780-6726			
STRUCTURE: THETFORD VT. RTE 132 OVER THE WEST BRANCH OF OMPOMPANOSUC RIVER			DRAWN: JTB	DATE: 05/17		
			CHKD: DBH	DATE: 05/21		
LOCATION: THETFORD, VT			JOB NO. 518	DWG NO. 11		
PROJ NO. BHF 0177(9)						
CUSTOMER: A.L. ST. ONGE CONTRACTING					REV. Δ	

118 Thu May 24 2012 01:52:58 PM C:\Users\jtb\OneDrive\118.dwg