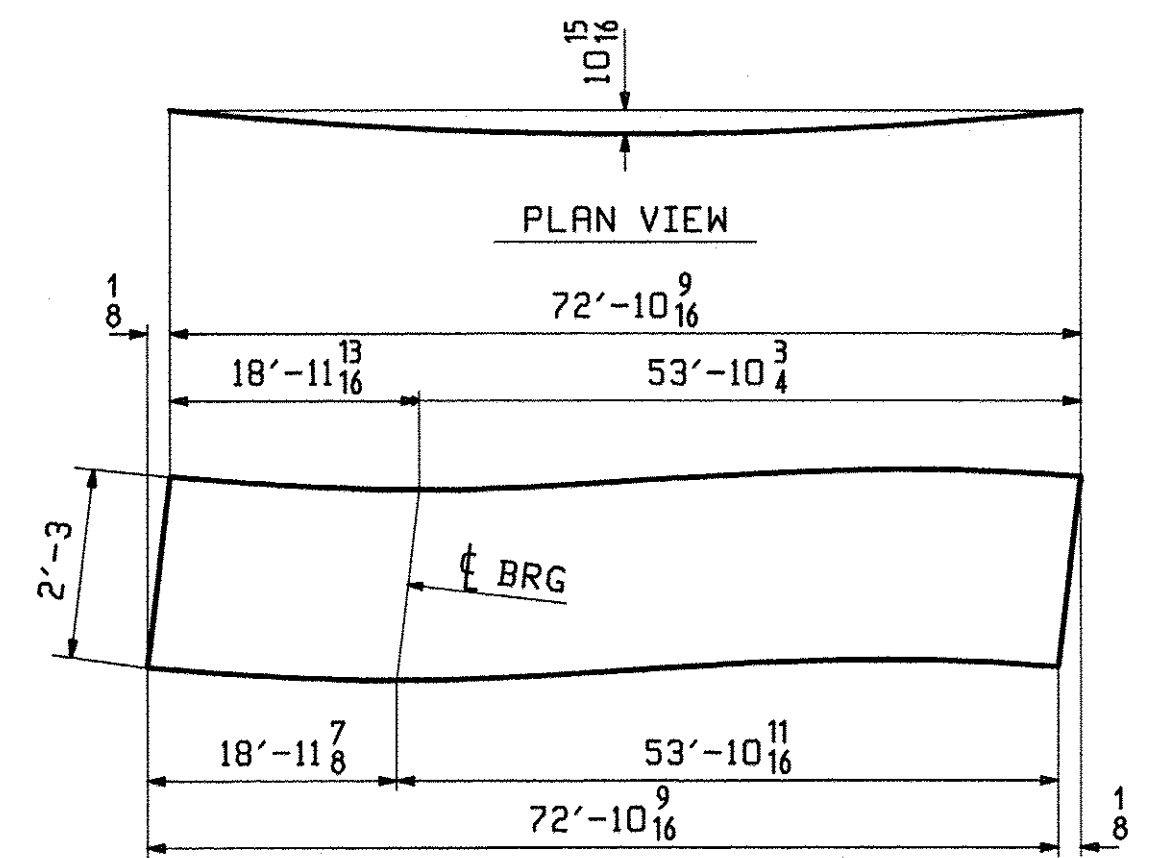


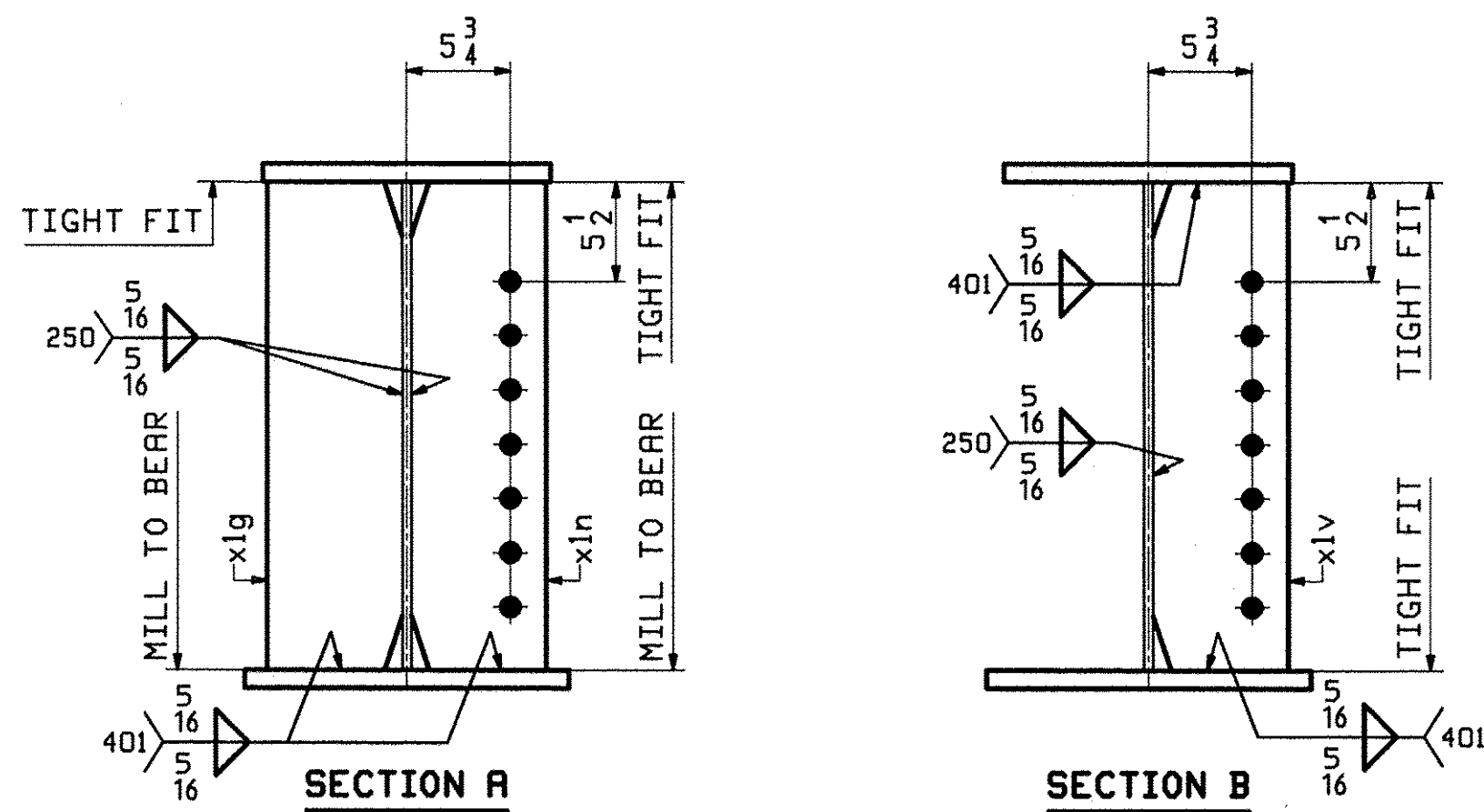
ONE - GIRDER - 10G5B (DEVELOPED)

FOR GIRDER STANDARD DETAILS SEE DRAWING X1.
 FOR CAMBER DIAGRAMS SEE DRAWING C1.
 FOR FLANGE DIAGRAMS SEE DRAWING F2.
 FOR GENERAL NOTES SEE DRAWING GNI.
 T2 DENOTES MATERIAL SUBJECT TO CHARPY V-NOTCH TESTING.

PAGE	LINE	MARK	QTY	MARK	MATERIAL	LENGTH		REMARKS	WT	PROCUREMENT NOTES
						FT	INCHES			
		10G5B	1		GIRDER					11981
4	E		1	wa	PL 1/2x27	72	10 11/16	M270-50WT2		3348
2	L		1	ta	PL 1x16	72	10 11/16	M270-50WT2		3968
1	C		1	ba	PL 1x18	72	10 11/16	M270-50WT2		4464
5	J		1	xlg	PL 3/4x7 1/2	2	3	M1E M270-50WT2		43
5	J		1	xln	PL 3/4x7 1/2	2	3	M1E M270-50WT2		43
5	L		4	xlv	PL 1/2x7 1/2	2	3	M270-50WT2		115



DEV. ORIENTATION DIAGRAM
FOR CAMBER SEE DWG C1



0		MAY 29 2012	
REV.	DATE	REMARKS	APVL
			APVL
MATERIAL:		SURFACE PREP. & PAINT:	SHOP BOLTS:
M270-50W (UN)		SEE DWG GNI	NONE
DESCRIPTION:		GIRDER - 10G5B	
CASCO BAY STEEL STRUCTURES, INC.			
1 WALLACE AVE.		PHONE (207) 780-6722	
SOUTH PORTLAND, ME 04106		FAX. (207) 780-6726	
STRUCTURE:	THETFORD	DRAWN:	DATE:
	VT, RTE 132 OVER THE WEST BRANCH	JTB	05/17
	OF OMPOMPANOOSUC RIVER	CHKD:	DATE:
		DBH	05/21
LOCATION:	THETFORD, VT	JOB NO.	DWG NO.
PROJ NO.	BHF 0177(9)	518	10
CUSTOMER:	A.L. ST. ONGE CONTRACTING	REV.	1