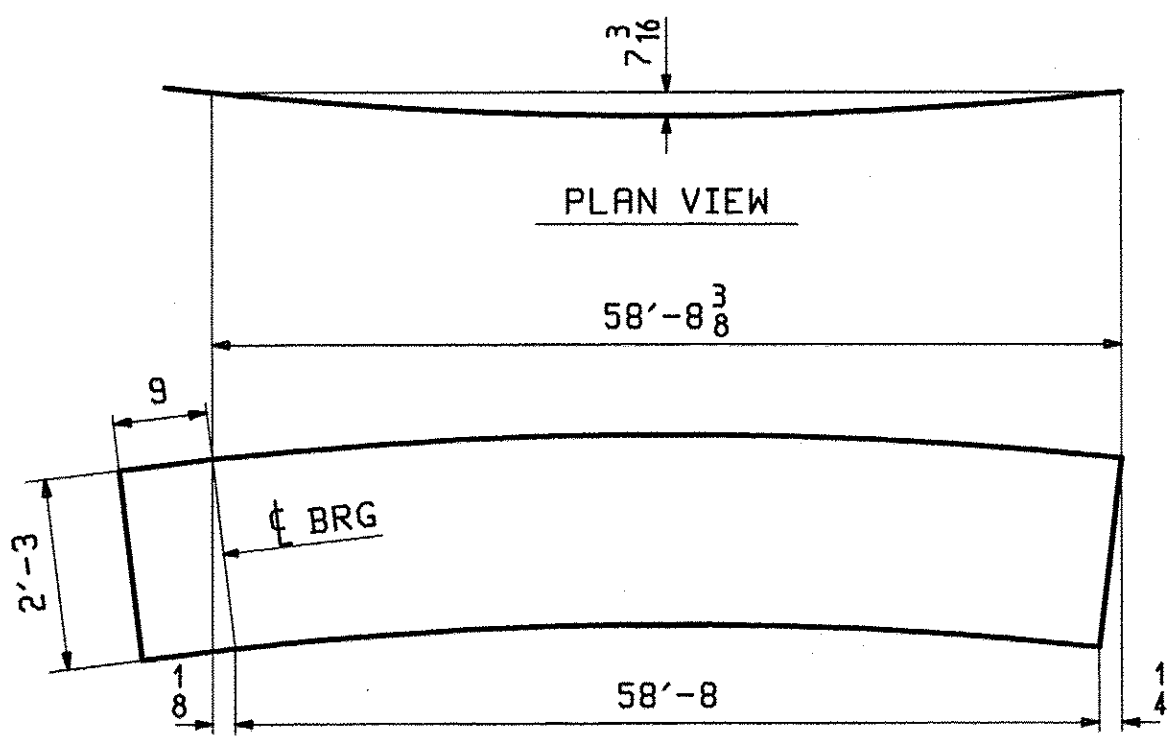


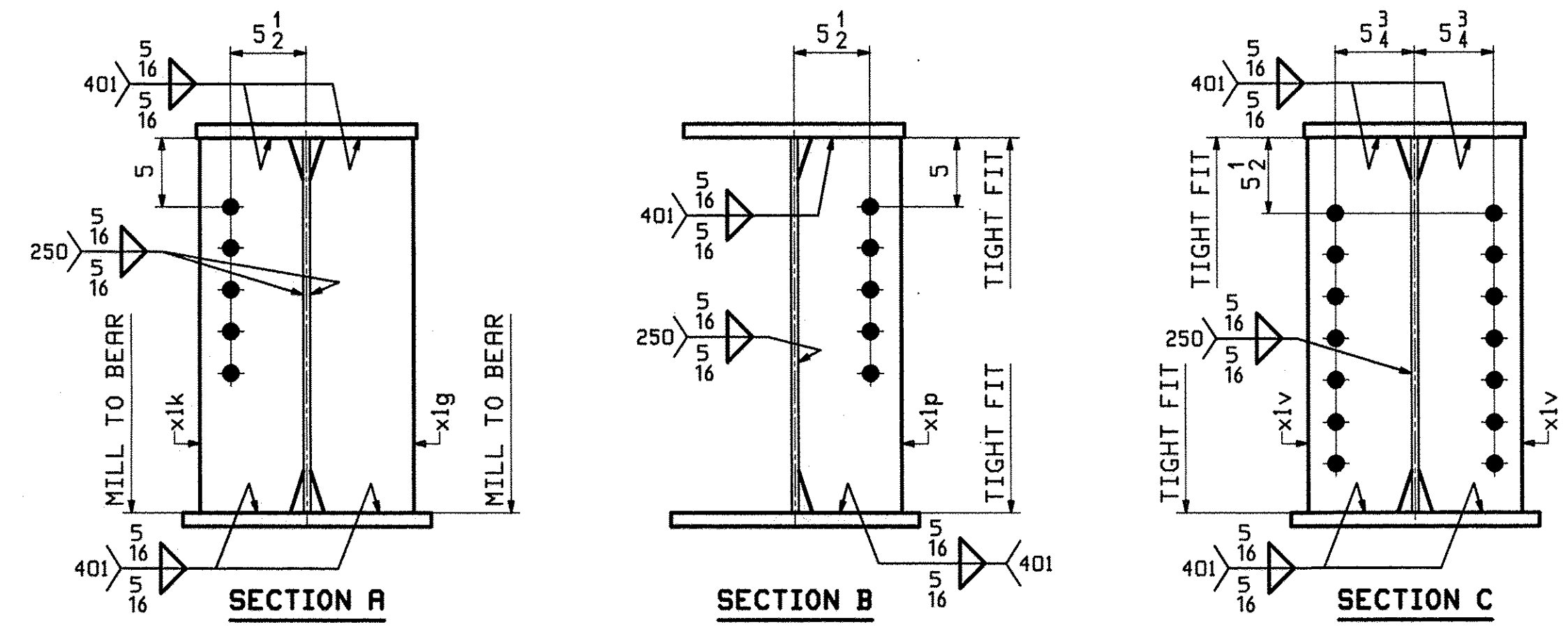
**ONE - GIRDER - 3G3A (DEVELOPED)**

FOR GIRDER STANDARD DETAILS SEE DRAWING XI.  
 FOR CAMBER DIAGRAMS SEE DRAWING C1.  
 FOR FLANGE DIAGRAMS SEE DRAWING F1.  
 FOR GENERAL NOTES SEE DRAWING G01.  
 T2 DENOTES MATERIAL SUBJECT TO CHARPY V-NOTCH TESTING.

ABM INFO		BILL OF MATERIAL				JOB NO.	DRAWING NO.	REV.	
PAGE	LINE	MARK	QTY	MARK	MATERIAL	LENGTH FT INCHES	REMARKS	WT	PROCUREMENT NOTES
		3G3A	1		GIRDER			990E	
3	U		1	wa	PL 1/2 x 27	59 5 3/8	M270-SOWT2	2731	
2	W		1	ta	PL 1 x 16	59 5 3/8	M270-SOWT2	3237	
1	N		1	ba	PL 1 x 18	59 5	M270-SOWT2	3639	
5	J		1	xlg	PL 3/4 x 7 1/2	2 3	MIE		43
5	J		1	xlk	PL 3/4 x 7 1/2	2 3	MIE		43
5	K		1	xlp	PL 3/4 x 7 1/2	2 3	M270-SOWT2		43
5	L		6	xlv	PL 1/2 x 7 1/2	2 3	M270-SOWT2		172



DEV. ORIENTATION DIAGRAM  
FOR CAMBER SEE DWG C1



0					MAY 23 2012	
REV.	DATE	REMARKS	DWN	CHK	APVL	SHOP
MATERIAL:		SURFACE PREP. & PRINT:		HOLES:		SHOP BOLTS:
M270-SOW (UN)		SEE DWG G01		1/2\"/>		

**CASCO BAY STEEL STRUCTURES, INC.**  
 1 WALLACE AVE. SOUTH PORTLAND, ME 04106  
 PHONE (207) 780-6722 FAX. (207) 780-6726

STRUCTURE: THETFORD VT. RTE 132 OVER THE WEST BRANCH OF OMPOMPANOOSUC RIVER

LOCATION: THETFORD, VT  
 PROJ NO. BHF 0177(9)  
 CUSTOMER: A.L. ST. ONGE CONTRACTING

DRAWN: JTB  
 DATE: 05/16

CHKD: DBH  
 DATE: 05/21

JOB NO. 518  
 DWG NO. 3  
 REV. 1