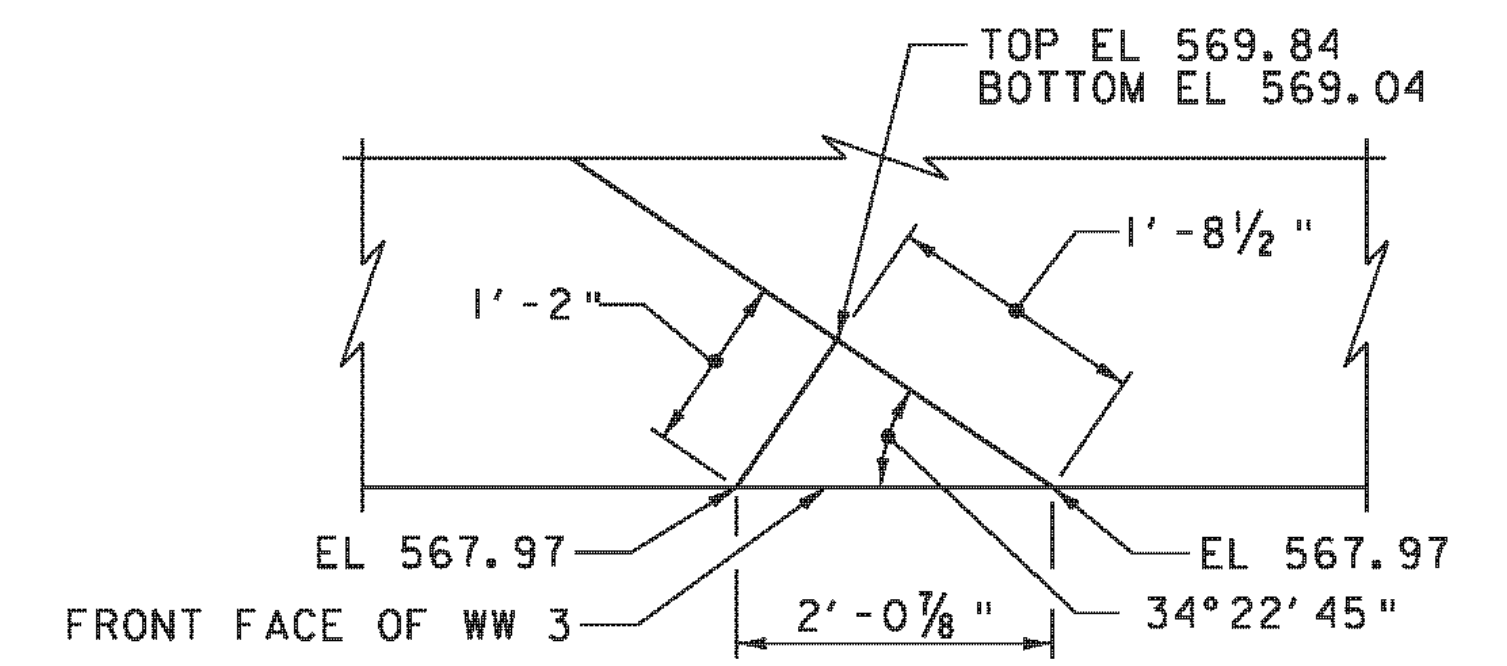


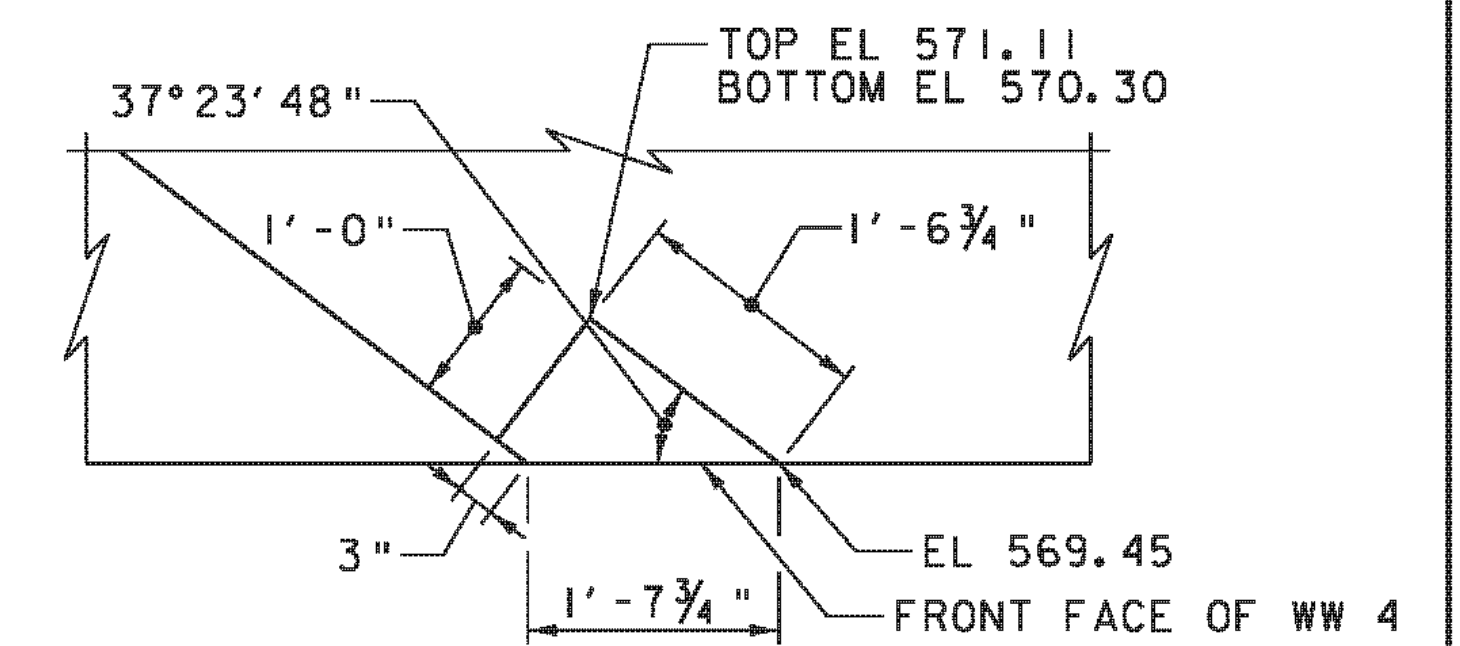
PRECAST ABUTMENT NO. 2 PLAN
SCALE 1/4" = 1'-0"

BLOCKOUT FOR GROUTED REINFORCING STEEL CONNECTION TO EXISTING ABUTMENT COLUMNS.

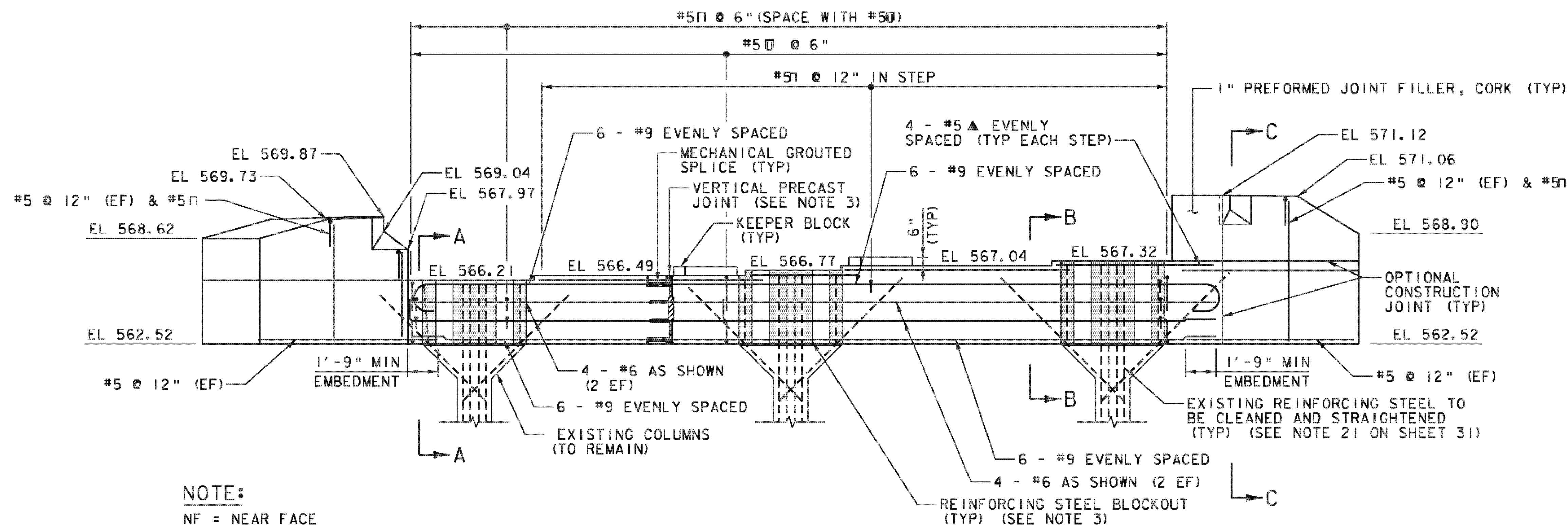


DETAIL B
SCALE 3/4" = 1'-0"

NOTE: ALL ANGLES FOR BRIDGE RAIL POST BLOCKOUTS ARE 90° UNLESS NOTED OTHERWISE.

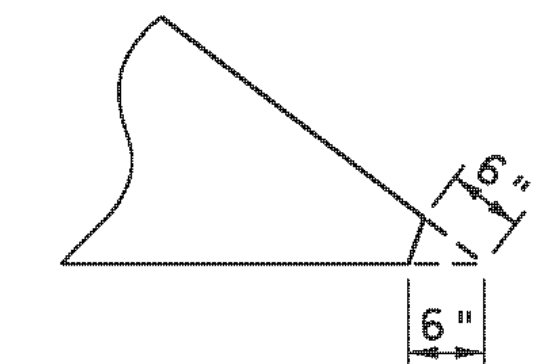


DETAIL C
SCALE 3/4" = 1'-0"



PRECAST ABUTMENT NO. 2 ELEVATION
SCALE 1/4" = 1'-0"

NOTE:
NF = NEAR FACE
FF = FAR FACE
EF = EACH FACE
▲ = CUT TO FIT IN FIELD
3" CLEAR, UNLESS OTHERWISE SPECIFIED ON THE PLANS.
2'-2" BAR LAP UNLESS OTHERWISE SPECIFIED ON THE PLANS.



ABUTMENT ACUTE ANGLE CLIP DETAIL
NOT TO SCALE

ABUTMENT NO. 2 NOTES:

1. ALL ELEVATIONS AND DIMENSIONS SHOWN ARE AT THE FRONT FACE OF THE ABUTMENT.
2. SEE SHEET 52 FOR SECTIONS A-A, B-B, AND C-C.
3. SEE SHEET 53 FOR ADDITIONAL PRECAST DETAILS.
4. SEE SHEET 31 FOR PRECAST ABUTMENT NOTES AND ABUTMENT REINFORCING NOTES.
5. DIMENSIONS TO EXISTING COLUMNS ARE BASED ON EXISTING PLAN DIMENSIONS, ACTUAL DIMENSIONS MAY VARY. PRIOR TO PRECAST CAP FABRICATION CONTRACTOR SHALL VERIFY ACTUAL DIMENSIONS IN THE FIELD TO ENSURE PROPER FIT-UP BETWEEN EXISTING COLUMNS AND NEW PRECAST ABUTMENT CAP.

PROJECT NAME: THETFORD
PROJECT NUMBER: BHF 0177(9)

FILE NAME: z08j174sub.abut_2.dgn
PROJECT LEADER: M.A. COLGAN
DESIGNED BY: G.S. GOODRICH
ABUTMENT NO. 2 DETAILS

PLOT DATE: 2/15/2012
DRAWN BY: E.A. FIALA
CHECKED BY: S.E. BURBANK
SHEET 51 OF 78