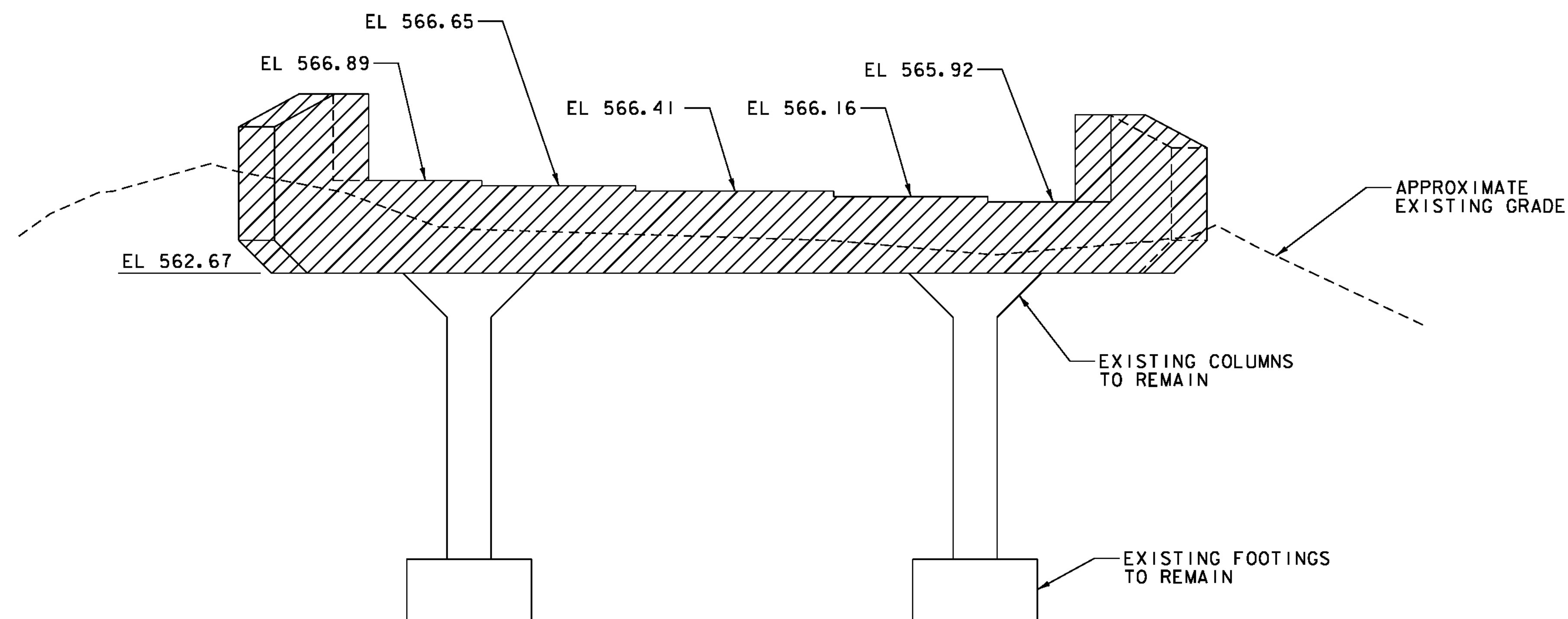


ABUTMENT NO. 1 PLAN
 SCALE 1/4" = 1'-0"



ABUTMENT NO. 1 ELEVATION
 SCALE 1/4" = 1'-0"

LEGEND

DENOTES LIMIT OF REMOVAL

NOTES:

1. SEE SHEET 32 FOR REMOVAL AND REPAIR NOTES.
2. EXISTING STRUCTURE AND ELEVATIONS SHOWN.

PROJECT NAME:	THETFORD
PROJECT NUMBER:	BHF 0177(9)
FILE NAME:	z08j174sub_abut+.l.dgn
PROJECT LEADER:	M.A. COLGAN
DESIGNED BY:	S.E. BURBANK
ABUTMENT NO.1 REMOVAL PLAN	
PLOT DATE:	2/15/2012
DRAWN BY:	B.M. KLINEFELTER
CHECKED BY:	G.S. GOODRICH
	SHEET 48 OF 78

