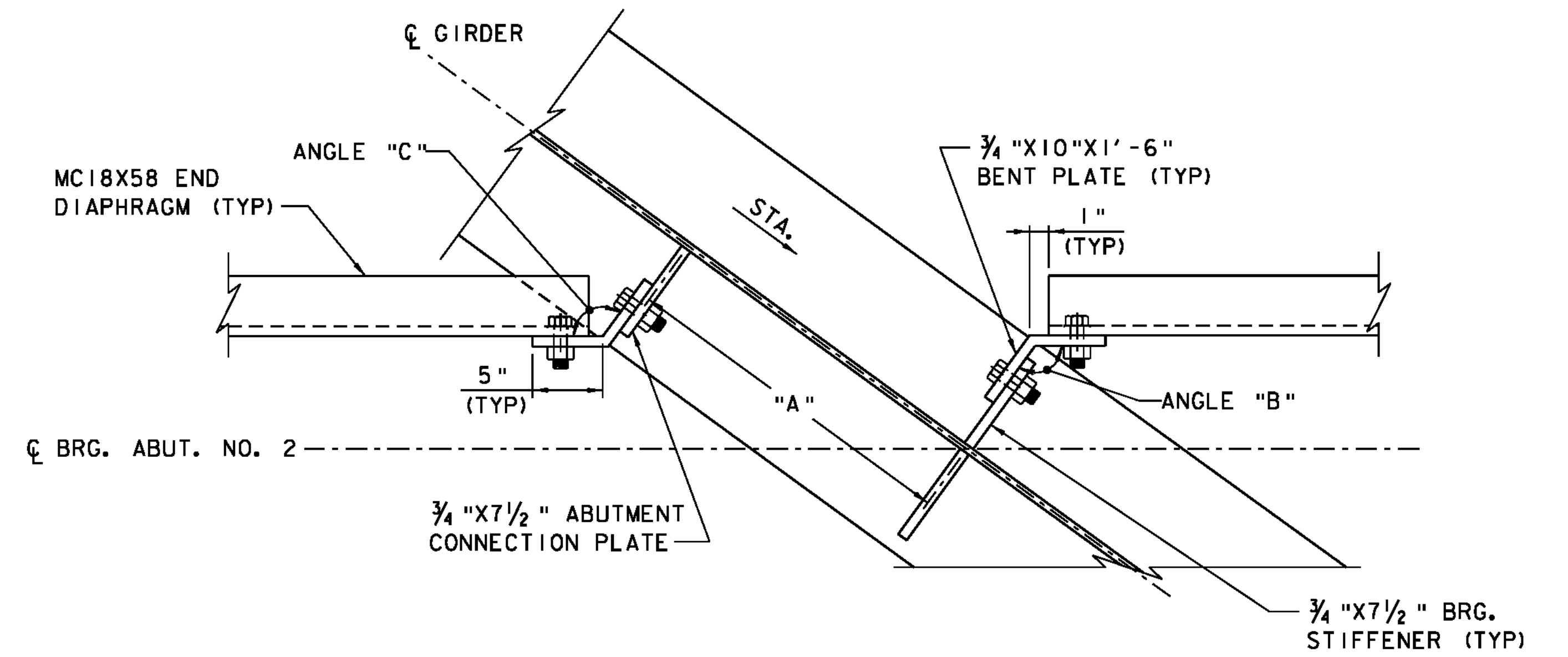
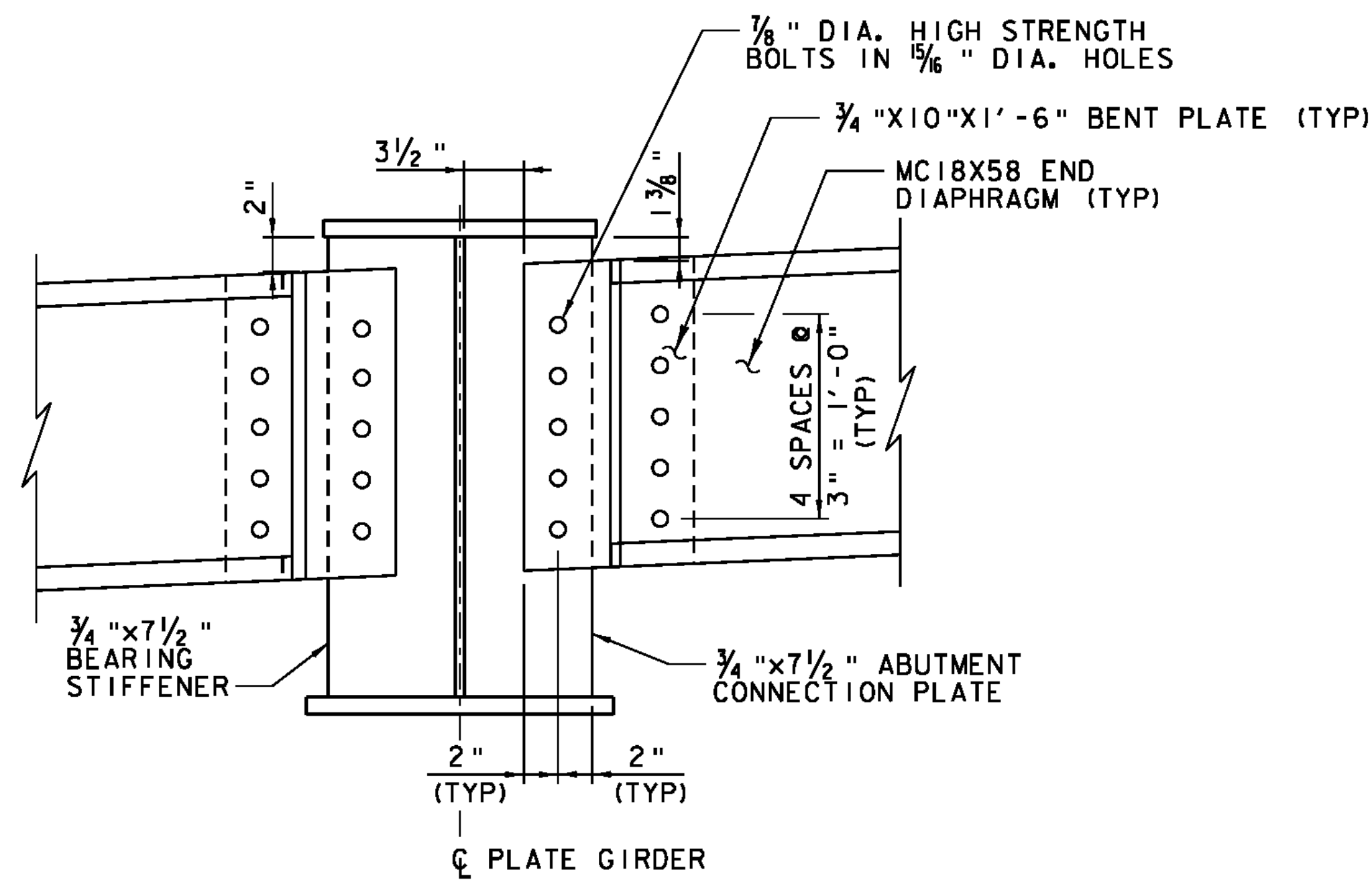


ABUTMENT NO. 1 PARTIAL PLAN
SCALE 1/2" = 1'-0"

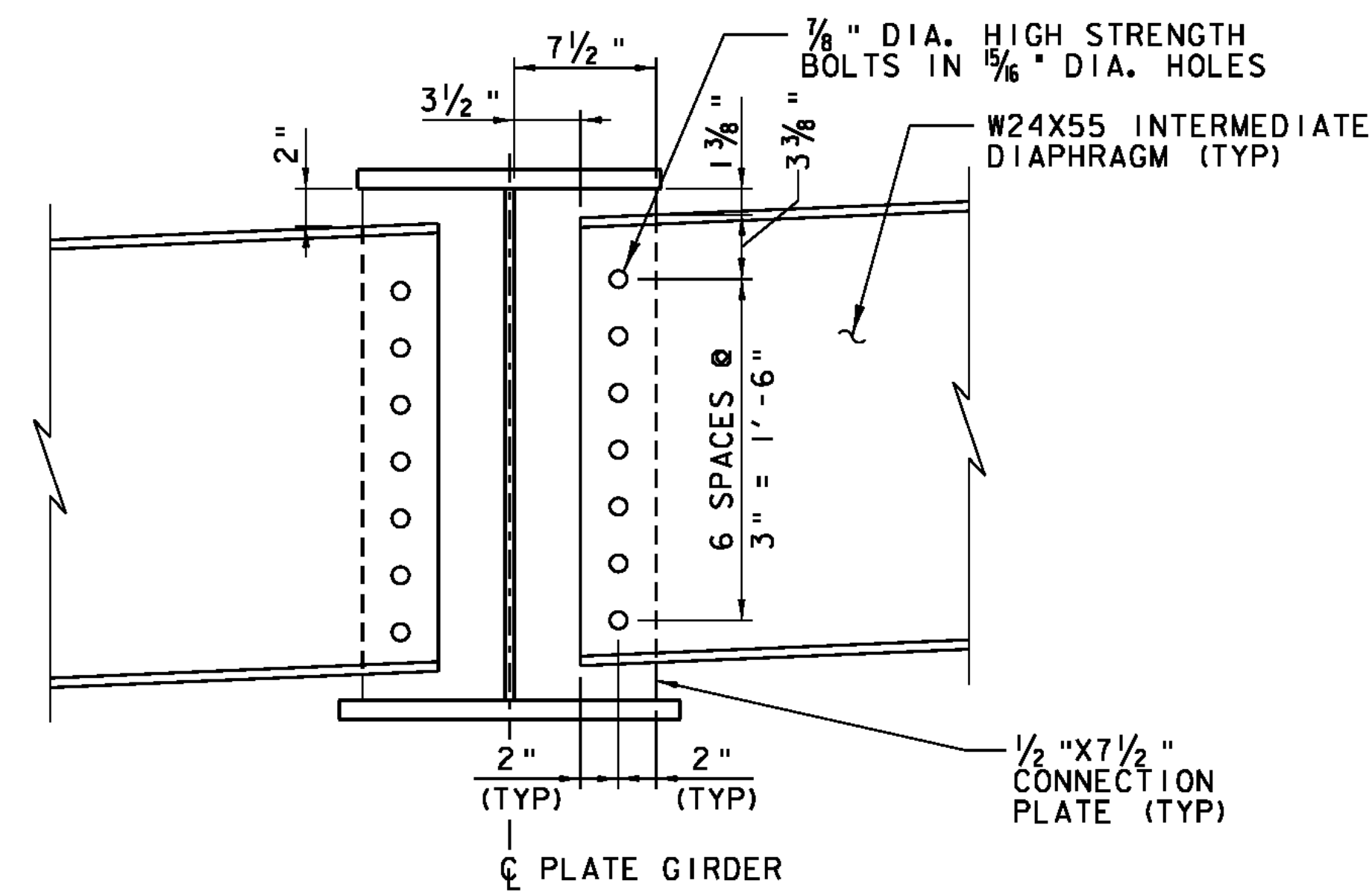


ABUTMENT NO. 2 PARTIAL PLAN
SCALE 1/2" = 1'-0"

ABUTMENT DIMENSIONS						
	A	B	C	D	E	F
GIRDER 1	2' - 1 1/16"	-	124° 51' 04"	-	143° 18' 10"	-
GIRDER 2	2' - 1 1/16"	125° 20' 02"	125° 27' 30"	1' - 0 5/8"	143° 39' 17"	143° 34' 11"
GIRDER 3	2' - 0 7/16"	126° 00' 11"	126° 03' 34"	1' - 0 5/8"	143° 59' 49"	143° 56' 20"
GIRDER 4	1' - 11 5/16"	126° 38' 05"	126° 47' 24"	1' - 0 5/8"	144° 19' 56"	144° 14' 16"
GIRDER 5	-	127° 14' 50"	-	1' - 0 1/2"	-	144° 34' 53"



END DIAPHRAGM CONNECTION
SCALE 1/2" = 1'-0"



INTERMEDIATE DIAPHRAGM CONNECTION
SCALE 1/2" = 1'-0"

NOTE:
1. SEE VAOT STRUCTURES DETAIL SHEET SD-602.00 FOR CONNECTION AND WELDING DETAILS.

PROJECT NAME: THETFORD	PLOT DATE: 2/15/2012
PROJECT NUMBER: BHF 0177(9)	DRAWN BY: E.A. FIALA
FILE NAME: z08j174sup05.dgn	CHECKED BY: S.E. BURBANK
PROJECT LEADER: M.A. COLGAN	SHEET 42 OF 78
DESIGNED BY: G.S. GOODRICH	
CONNECTION DETAILS	