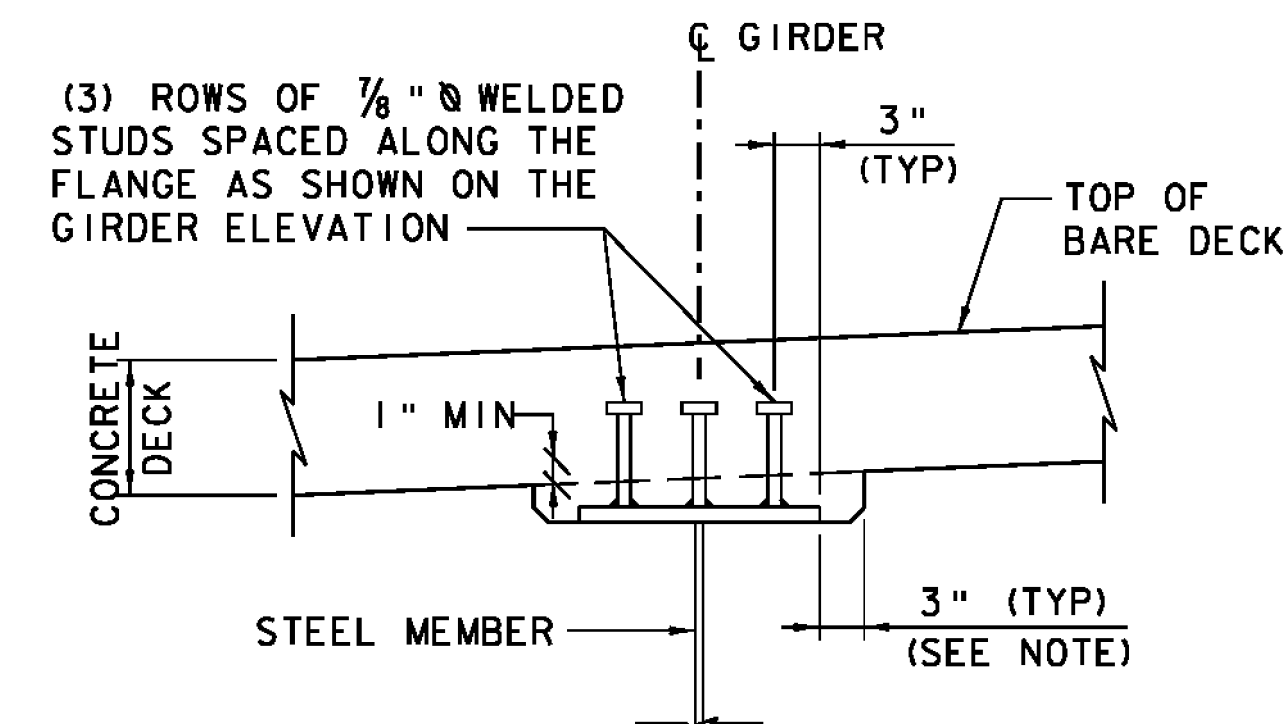


* CVN - DENOTES THAT CHARPY V-NOTCH (CVN) TEST IS REQUIRED

GIRDER ELEVATION
NOT TO SCALE

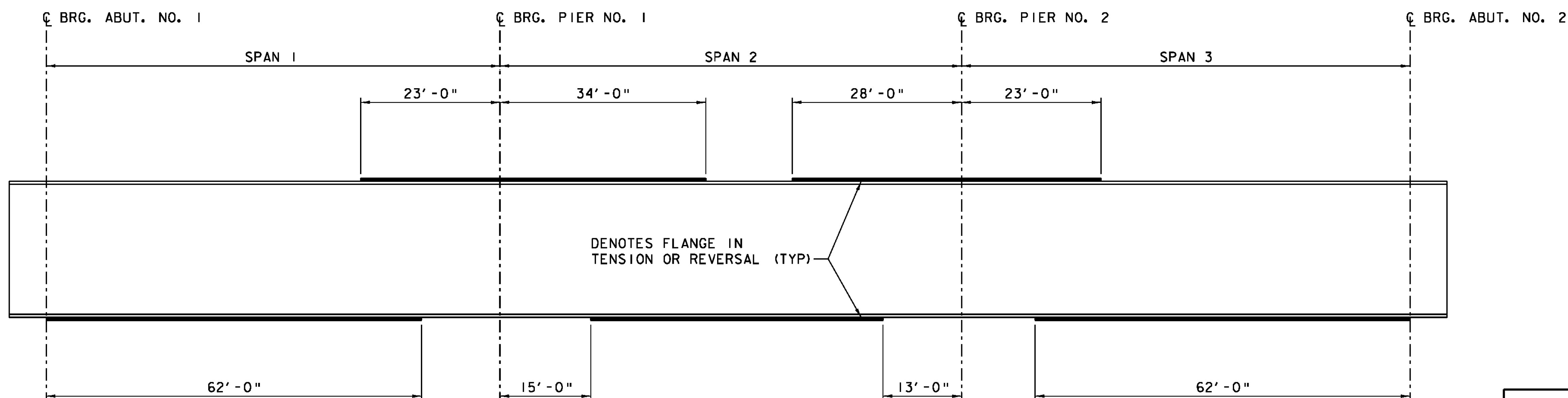


- NOTES:**
- METAL STAY-IN-PLACE FORMS NOT SHOWN FOR CLARITY.
 - THE 3" HORIZONTAL SECTION MAY BE ELIMINATED FOR FORMING SYSTEMS DESIGNED FOR THE CONSTRUCTION OF VERTICAL HAUNCHES. ANY VOIDS RESULTING FROM FORMING SYSTEM ELEMENTS SHALL BE FILLED WITH JOINT SEALER, POLYURETHANE MEETING THE REQUIREMENTS OF SECTION 524. THE COST OF THE JOINT SEALER, POLYURETHANE SHALL BE INCIDENTAL TO THE ADJACENT CONCRETE.

HAUNCH AND SHEAR CONNECTOR DETAIL
NOT TO SCALE

STUD SHEAR CONNECTOR LAYOUT					
	a	b	c	d	e
GIRDER 1	3"	226	1'-0"	225'-10 ⁵ / ₁₆ "	681
GIRDER 2	2"	224	1'-0"	223'-11 ¹ / ₈ "	675
GIRDER 3	2"	222	1'-0"	221'-10 ³ / ₄ "	669
GIRDER 4	2"	220	1'-0"	219'-11 ⁹ / ₁₆ "	663
GIRDER 5	3"	218	1'-0"	217'-11 ⁹ / ₁₆ "	657

GIRDER DIMENSIONS ALONG C/GIRDER							
	L3	L2	L1	LP4	LP3	LP2	LP1
GIRDER 1	74'-6 ⁵ / ₈ "	76'-4 ⁵ / ₁₆ "	75'-6"	56'-3 ⁵ / ₈ "	72'-4 ⁵ / ₁₆ "	38'-0"	61'-3"
GIRDER 2	74'-1 ⁵ / ₁₆ "	75'-8 ³ / ₈ "	74'-5 ⁷ / ₁₆ "	59'-10 ⁵ / ₁₆ "	70'-8 ³ / ₈ "	35'-0"	60'-2 ⁷ / ₁₆ "
GIRDER 3	73'-8 ¹ / ₄ "	75'-0 ¹ / ₁₆ "	73'-5 ⁵ / ₈ "	59'-5 ¹ / ₄ "	70'-0 ¹ / ₁₆ "	33'-0"	61'-2 ⁵ / ₈ "
GIRDER 4	73'-3 ³ / ₈ "	74'-5 ⁵ / ₈ "	72'-6 ⁹ / ₁₆ "	59'-0 ³ / ₈ "	66'-5 ⁵ / ₈ "	38'-0"	58'-3 ⁹ / ₁₆ "
GIRDER 5	72'-10 ¹ / ₁₆ "	73'-10 ³ / ₄ "	71'-8 ¹ / ₈ "	54'-7 ¹ / ₁₆ "	72'-10 ³ / ₄ "	35'-0"	57'-5 ¹ / ₈ "



TENSION ZONE DIAGRAM
NOT TO SCALE

PROJECT NAME: THETFORD	PLOT DATE: 2/15/2012
PROJECT NUMBER: BHF 0177(9)	DRAWN BY: K.D. WENTWORTH
FILE NAME: z08j174sup02.dgn	CHECKED BY: M.J. MOZER
PROJECT LEADER: M.A. COLGAN	SHEET 39 OF 78
DESIGNED BY: G.S. GOODRICH	
GIRDER ELEVATION	

