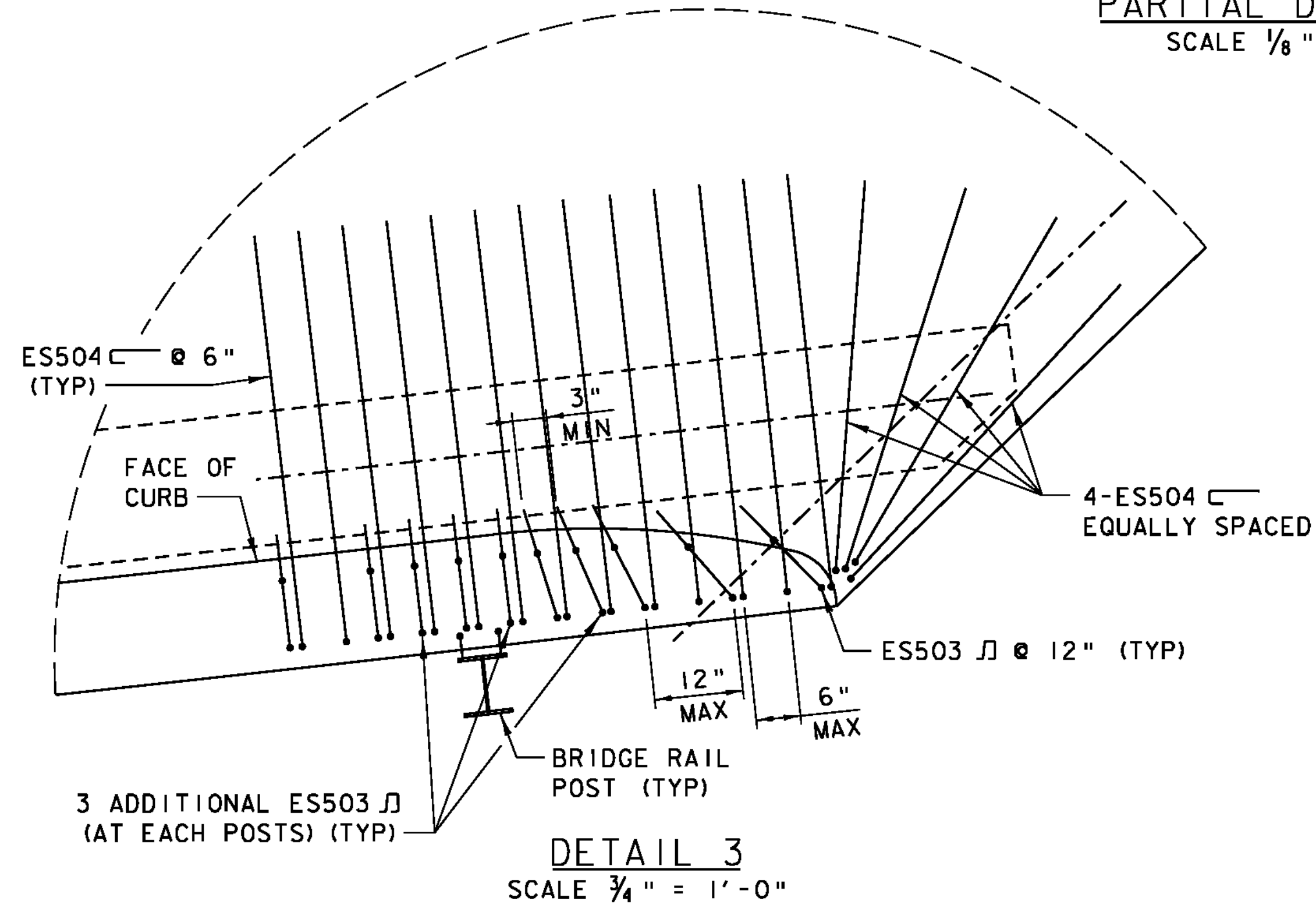
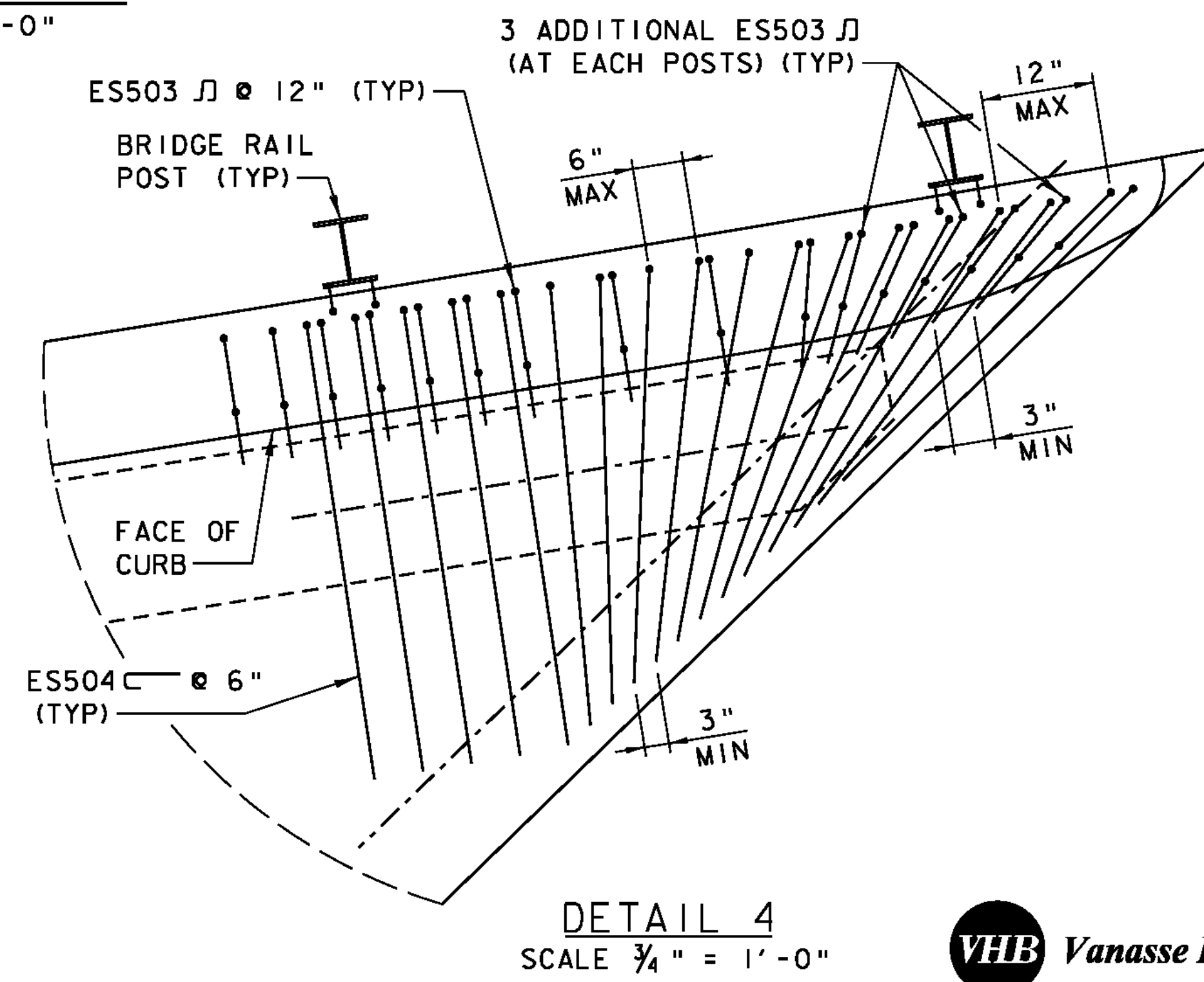


PARTIAL DECK PLAN
SCALE 1/8" = 1'-0"



DETAIL 3
SCALE 3/4" = 1'-0"



DETAIL 4
SCALE 3/4" = 1'-0"

NOTES:

1. TRANSVERSE BARS IN DECK SHALL BE PLACED RADIALY WITH SPACING BETWEEN BARS SET ALONG THE OUTSIDE GIRDER (G5).
2. SEE SHEET 58 FOR BRIDGE RAIL POST LAYOUT.

PROJECT NAME:	THETFORD
PROJECT NUMBER:	BHF 0177(9)
FILE NAME:	z08j174deckr1.dgn
PROJECT LEADER:	M.A. COLGAN
DESIGNED BY:	G.S. GOODRICH
DECK REINFORCING PLAN (2 OF 2)	
PLOT DATE:	2/15/2012
DRAWN BY:	B.J. MASSE
CHECKED BY:	M.J. MOZER
	SHEET 35 OF 78

