

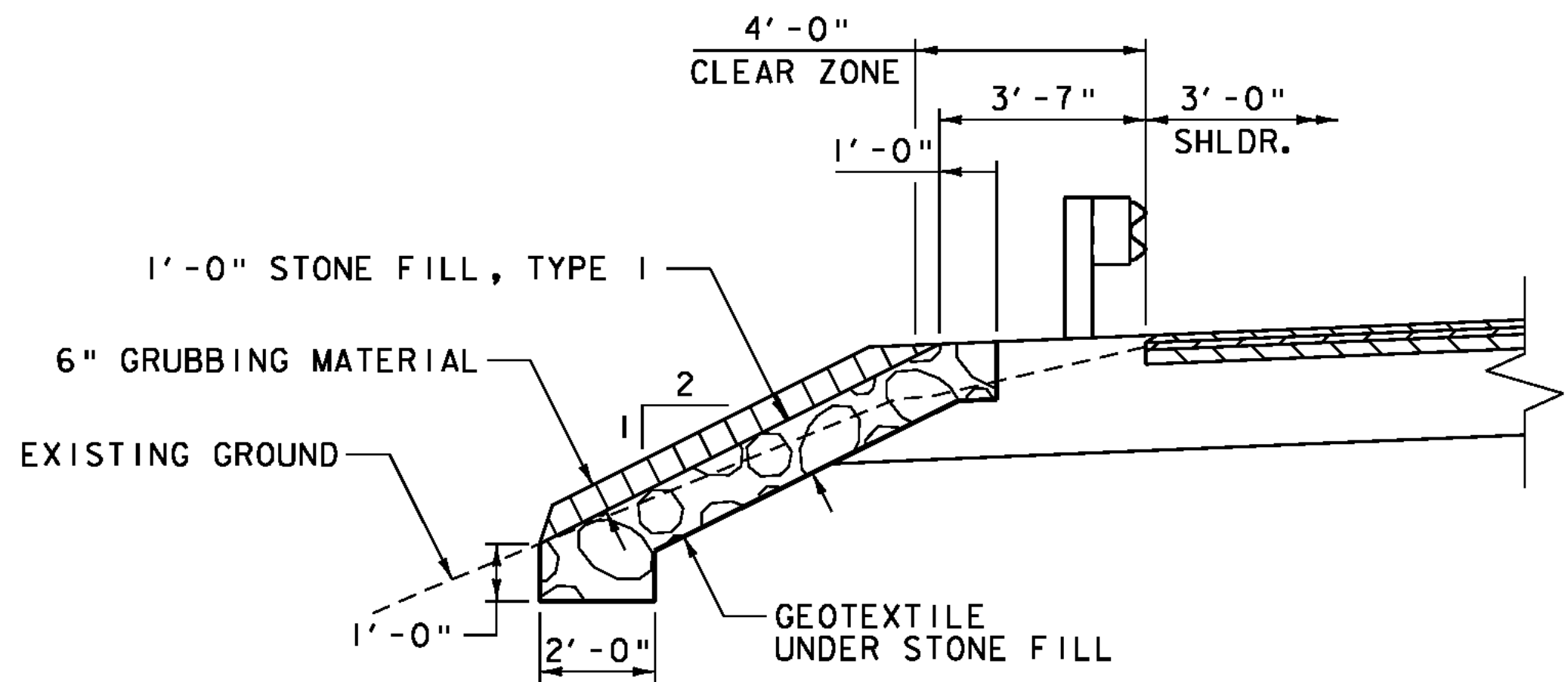
*** - 2 - 1 1/2" LIFTS OF TYPE IVS OVER
1 - 3" LIFT OF TYPE IIS

NOTE: SEE PROFILE AND ROADWAY CROSS SECTIONS FOR ROADWAY SUPERELEVATION.

TYPICAL ROADWAY SECTION

SCALE 3/8" = 1'-0"

STA. 102+06.00 - STA. 102+89.63

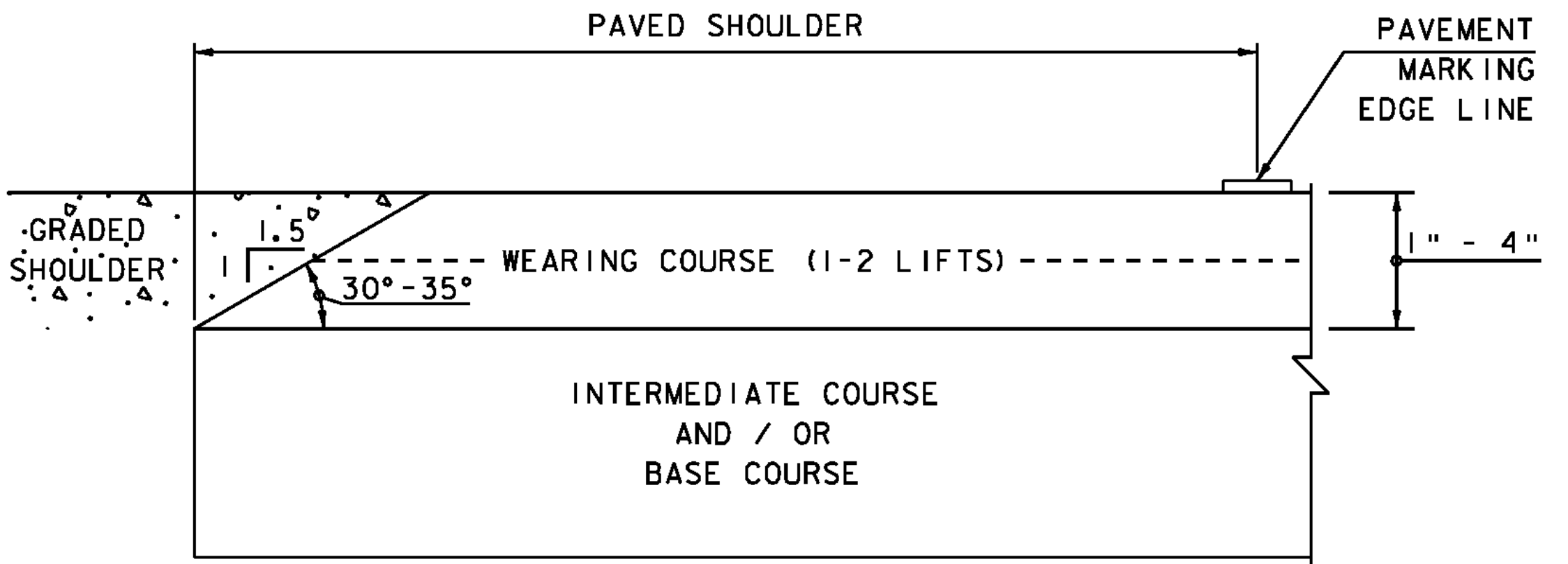


NOTE: SEE TYPICAL ROADWAY SECTIONS FOR INFORMATION NOT SHOWN.

TYPICAL 1:2 SLOPE SECTION

SCALE 3/8" = 1'-0"

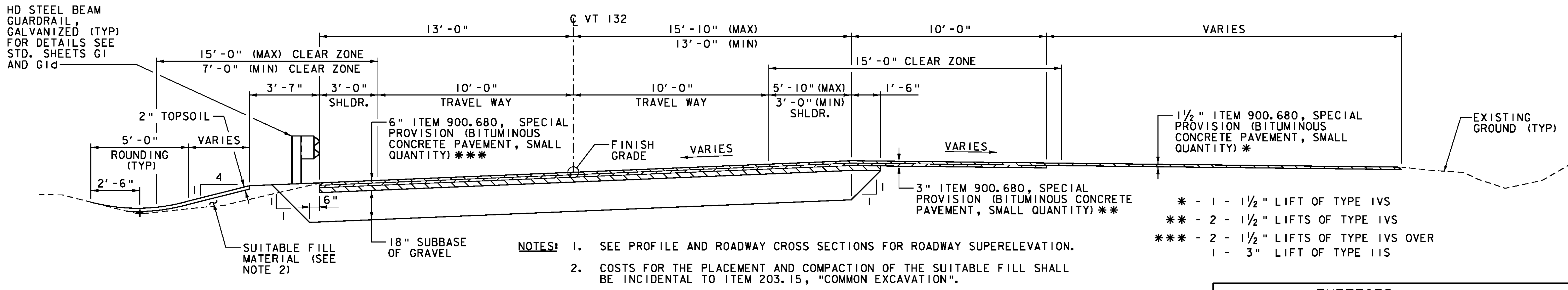
STA. 105+39.00 - STA. 105+50.00, LT



NOTE: COST FOR FORMING AND COMPACTING SAFETY EDGE SHALL BE INCIDENTAL TO ITEM 900.680, "SPECIAL PROVISION (BITUMINOUS CONCRETE PAVEMENT, SMALL QUANTITY)".

SAFETY EDGE DETAIL

NOT TO SCALE



NOTES: 1. SEE PROFILE AND ROADWAY CROSS SECTIONS FOR ROADWAY SUPERELEVATION.
2. COSTS FOR THE PLACEMENT AND COMPACTION OF THE SUITABLE FILL SHALL BE INCIDENTAL TO ITEM 203.15, "COMMON EXCAVATION".

* - 1 - 1 1/2" LIFT OF TYPE IVS
** - 2 - 1 1/2" LIFTS OF TYPE IVS
*** - 2 - 1 1/2" LIFTS OF TYPE IVS OVER
1 - 3" LIFT OF TYPE IIS

MATERIAL TOLERANCES

| |
|---|
| PAVEMENT TOLERANCE = +/- 1/4" TOTAL THICKNESS |
| SUBBASE OF GRAVEL TOLERANCE = +/- 1" |

TYPICAL ROADWAY SECTION

SCALE 3/8" = 1'-0"

STA. 105+14.80 - STA. 106+30.00



| | |
|-----------------------------|----------------------------|
| PROJECT NAME: THETFORD | PLOT DATE: 2/15/2012 |
| PROJECT NUMBER: BHF 0177(9) | DRAWN BY: B.M. KLINEFELTER |
| FILE NAME: z08j174typ.dgn | CHECKED BY: S.E. BURBANK |
| PROJECT LEADER: M.A. COLGAN | SHEET 4 OF 78 |
| DESIGNED BY: S.E. BURBANK | |
| TYPICAL ROADWAY SECTIONS | |