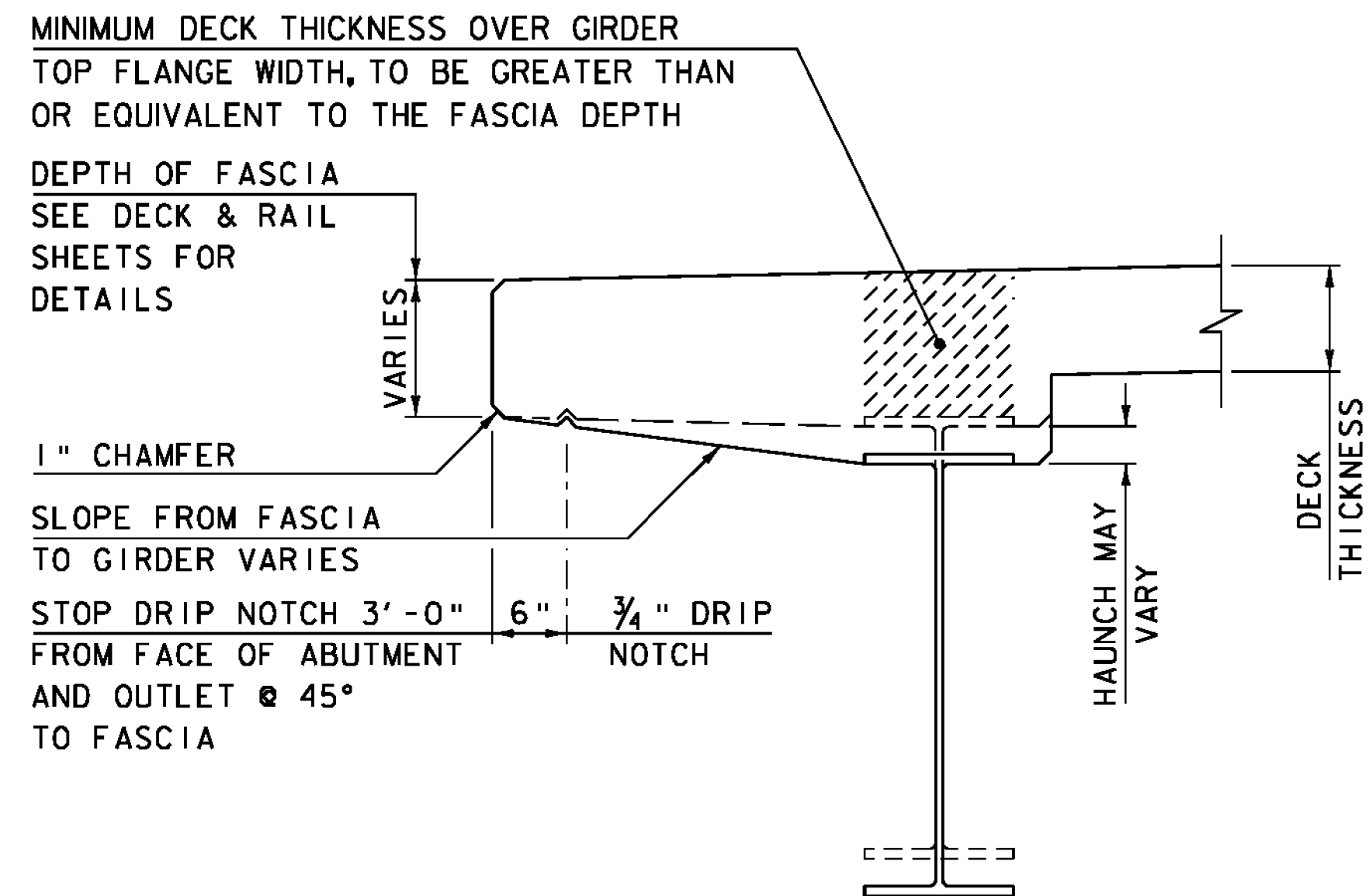
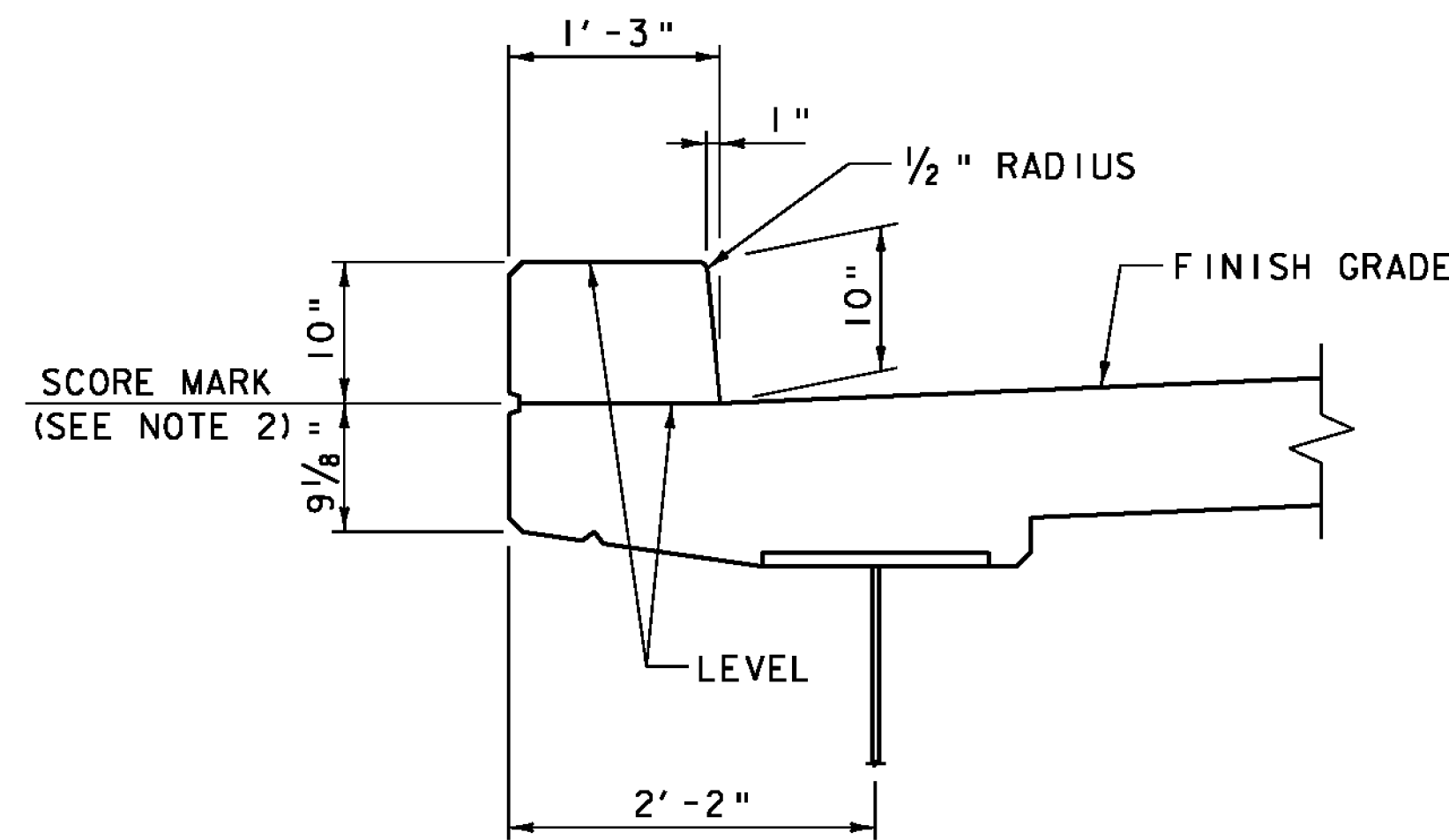


BRIDGE RAILING, GALVANIZED HDSB/FASCIA MOUNTED/STEEL TUBING (TYP) SEE STD. SHEET SB-R7-90 FOR DETAILS

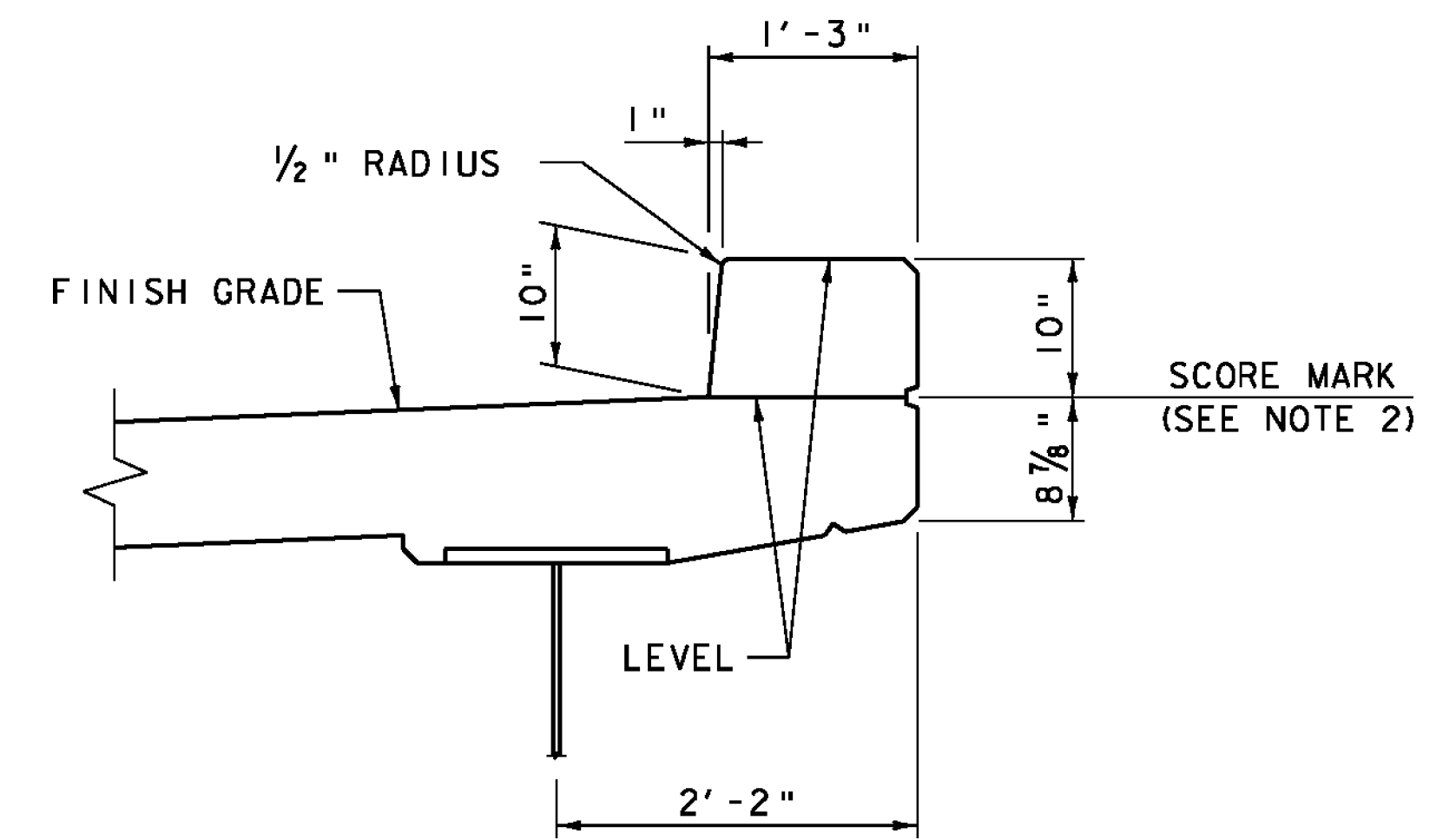
TYPICAL BRIDGE SECTION
SCALE 1/2" = 1'-0"



FASCIA & DRIP NOTCH DETAIL
NOT TO SCALE



CURB SECTION - LEFT FASCIA
SCALE 1" = 1'-0"



CURB SECTION - RIGHT FASCIA
SCALE 1" = 1'-0"

NOTES:

1. METAL STAY IN PLACE FORMS NOT SHOWN FOR CLARITY.
2. SEE VAOT STRUCTURES DETAIL SHEET SD-501.00 FOR SCORE MARK DETAIL AND ADDITIONAL INFORMATION.

PROJECT NAME: THETFORD
PROJECT NUMBER: BHF 0177(9)

FILE NAME: z08j174typ.dgn
PROJECT LEADER: M.A. COLGAN
DESIGNED BY: G.S. GOODRICH
TYPICAL BRIDGE SECTION

PLOT DATE: 2/15/2012
DRAWN BY: B.J. MASSE
CHECKED BY: S.E. BURBANK
SHEET 3 OF 78

