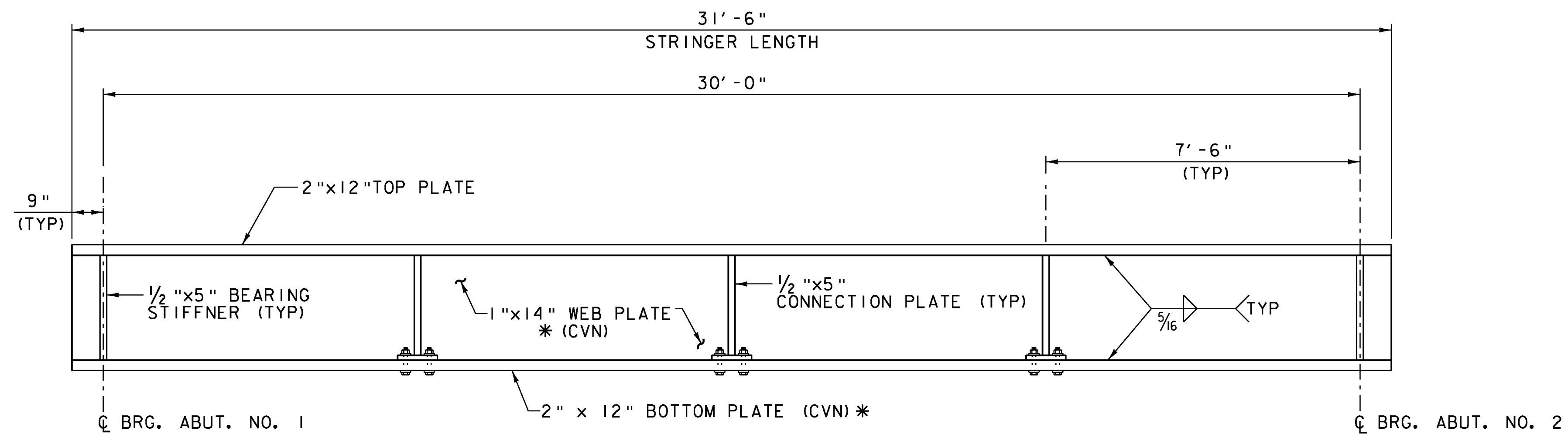


FRAMING PLAN  
SCALE: 1/2" = 1'-0"



STRINGER ELEVATION  
HORIZONTAL SCALE: 1/2" = 1'-0"  
VERTICAL SCALE: 1" = 1'-0"

\* DENOTES THAT CHARPY V-NOTCH (CVN) TESTING IS REQUIRED

PROJECT NAME: DORSET  
PROJECT NUMBER: WCRS(8)

FILE NAME: z08q224detailelevfram.dgn  
PROJECT LEADER: A.P. GUYETTE  
DESIGNED BY: J.W. GOLEK  
FRAMING PLAN & STRINGER ELEVATION

PLOT DATE: 4/10/2014  
DRAWN BY: J.W. GOLEK  
CHECKED BY: S.E. BURBANK  
SHEET 19 OF 33

