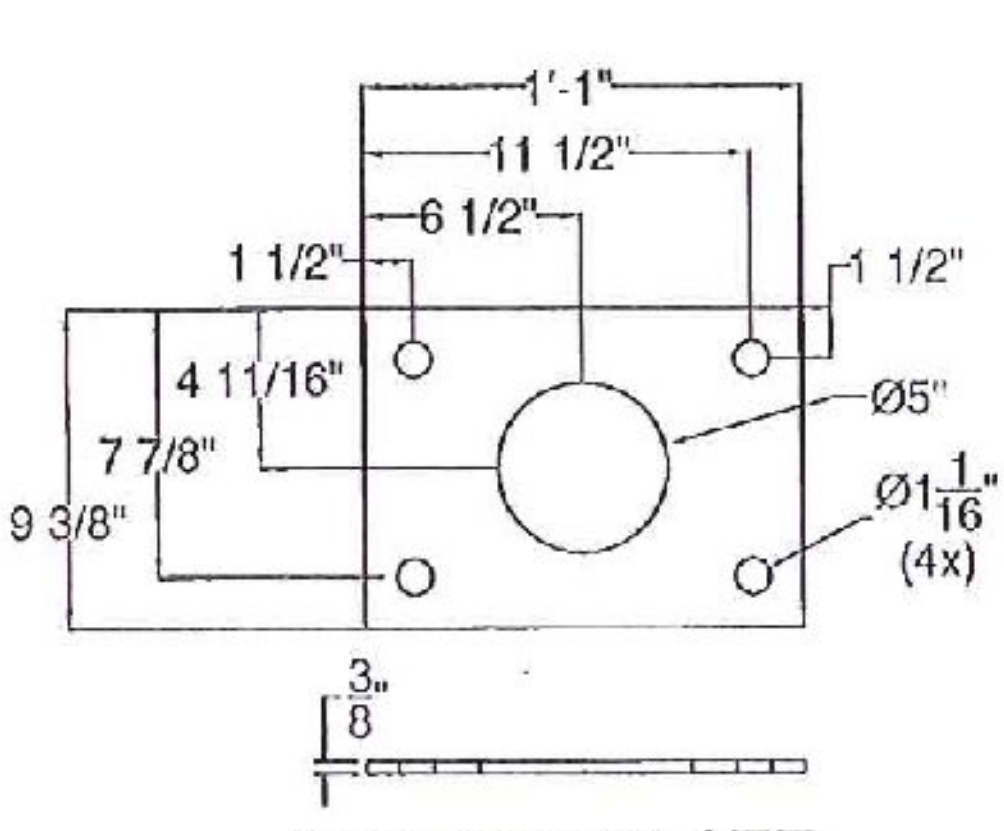
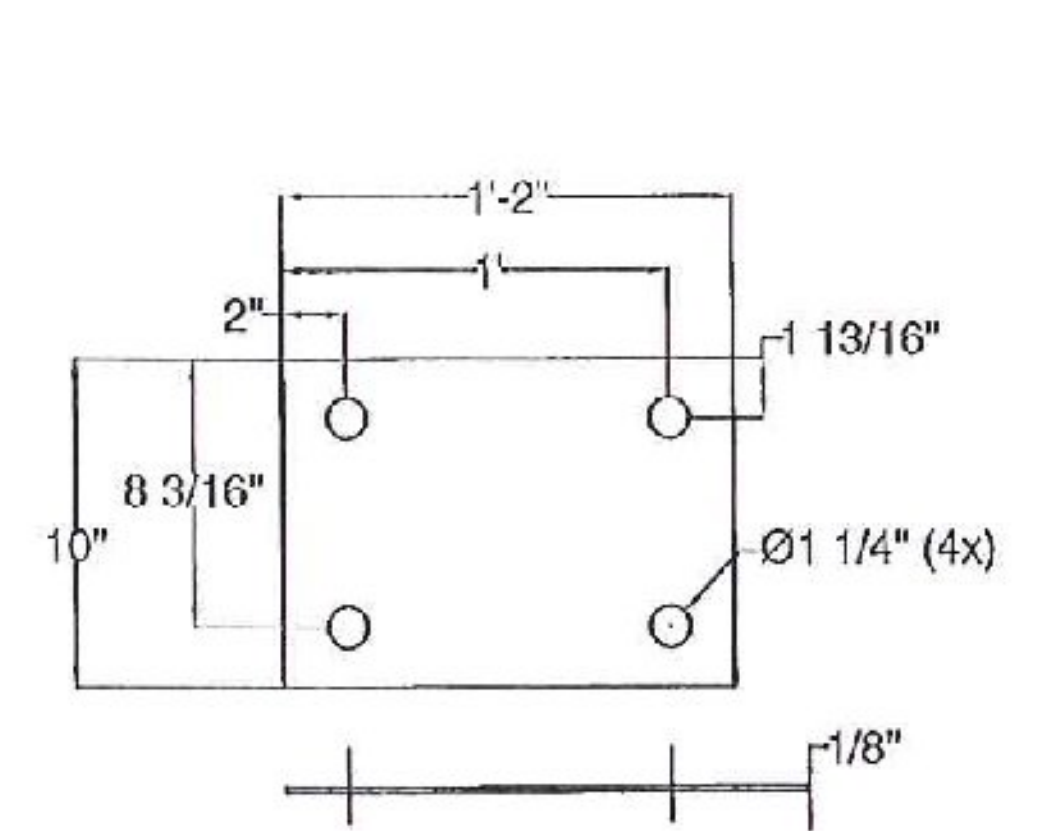
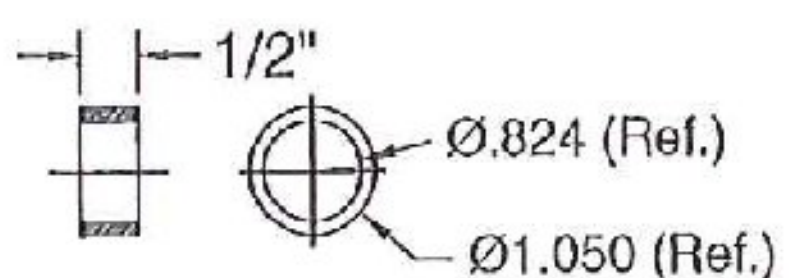


FIXED SPLICE - (4) BOLTS, (4) WASHERS.

EXPANSION SPLICE - (4) BOLTS, (4) WASHERS, (4) PIPE SPACERS



2 - 3/4" Dia. Square U-Bolts Flat Washer & Nut. Damage Exposed Bolt Threads as Directed by the Engineer (Typ.)



3/4" SCH. 40 PIPE SPACER ITEM #: 525.34  
 Received OK'd BY JWC  
 APPROVED BY: JWC  
 AUG 06 2014  
 Resubmit APPROVED BY DATE 01/17/14

POWDER COATED BLACK AFTER GALV. PER ASTM D7803

GEN CONTR: F.R. LAFAYETTE, P.O. 29045 SHEET 2 OF 2

**BRIDGE RAIL DETAILS SHEET**  
 PROJECT: TOWN OF JERICHO COUNTY OF CHITTENDEN VT. 16 (MINOR ARTERIAL) PEDESTRIAN BRIDGE  
 JERICHO FTBR (S)

R NO.	DATE	DESCRIPTION	BY	R NO.	DATE	DESCRIPTION	BY

ELDERLEE, INC.  
 OAKS CORNERS, NEW YORK 14618  
 E-Mail: dlong@elderlee.com  
 Tel: 315-789-6670 Fax: 315-789-6616

DRAWN: D.L. 7/23/2014  
 CHECKED: E.P. 7/23/2014  
 APPROVED: [Signature]  
 SCALE: SCHEMATIC  
 DRAWING NO. F.R.L. JERICHO 28045