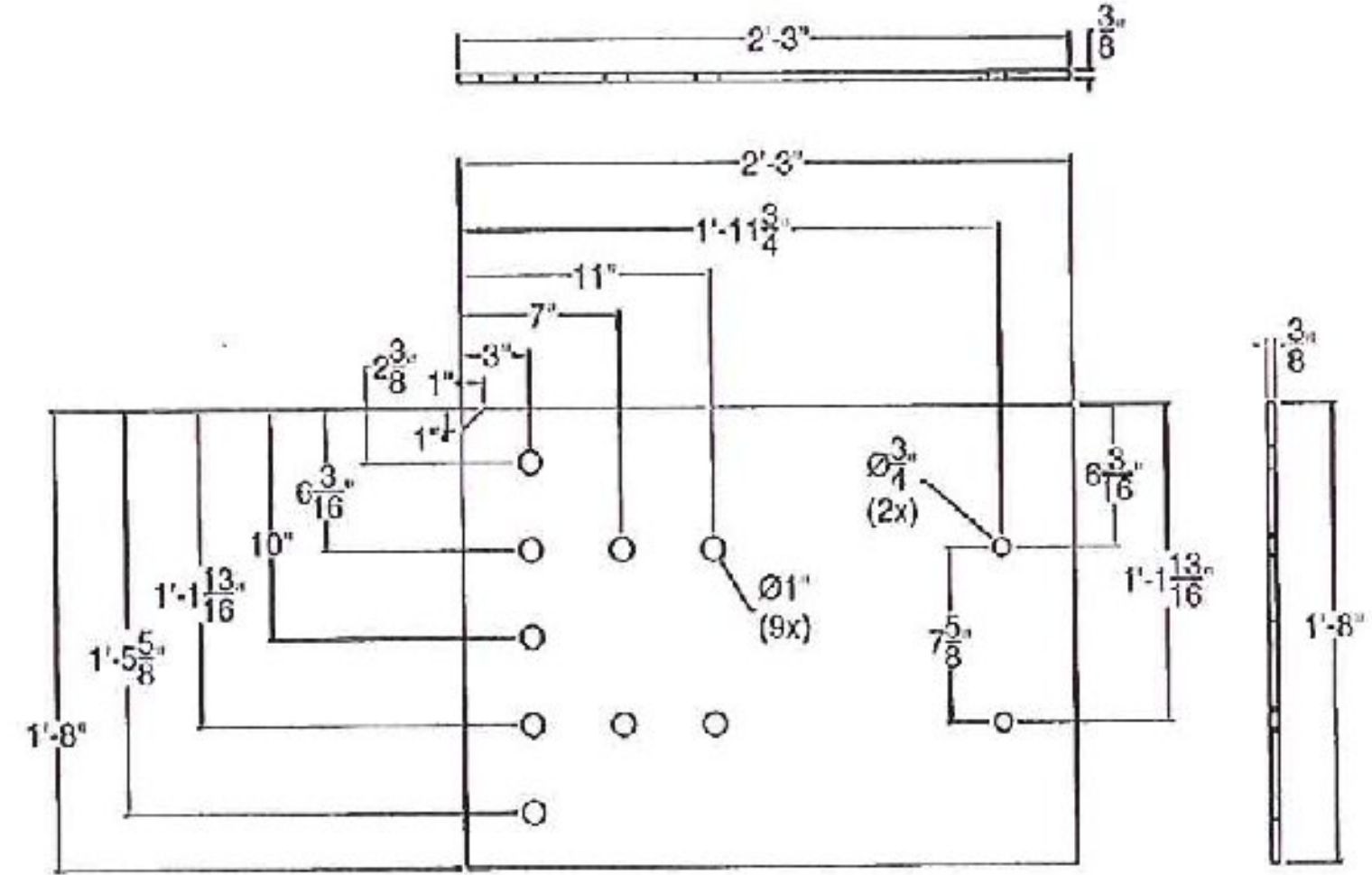
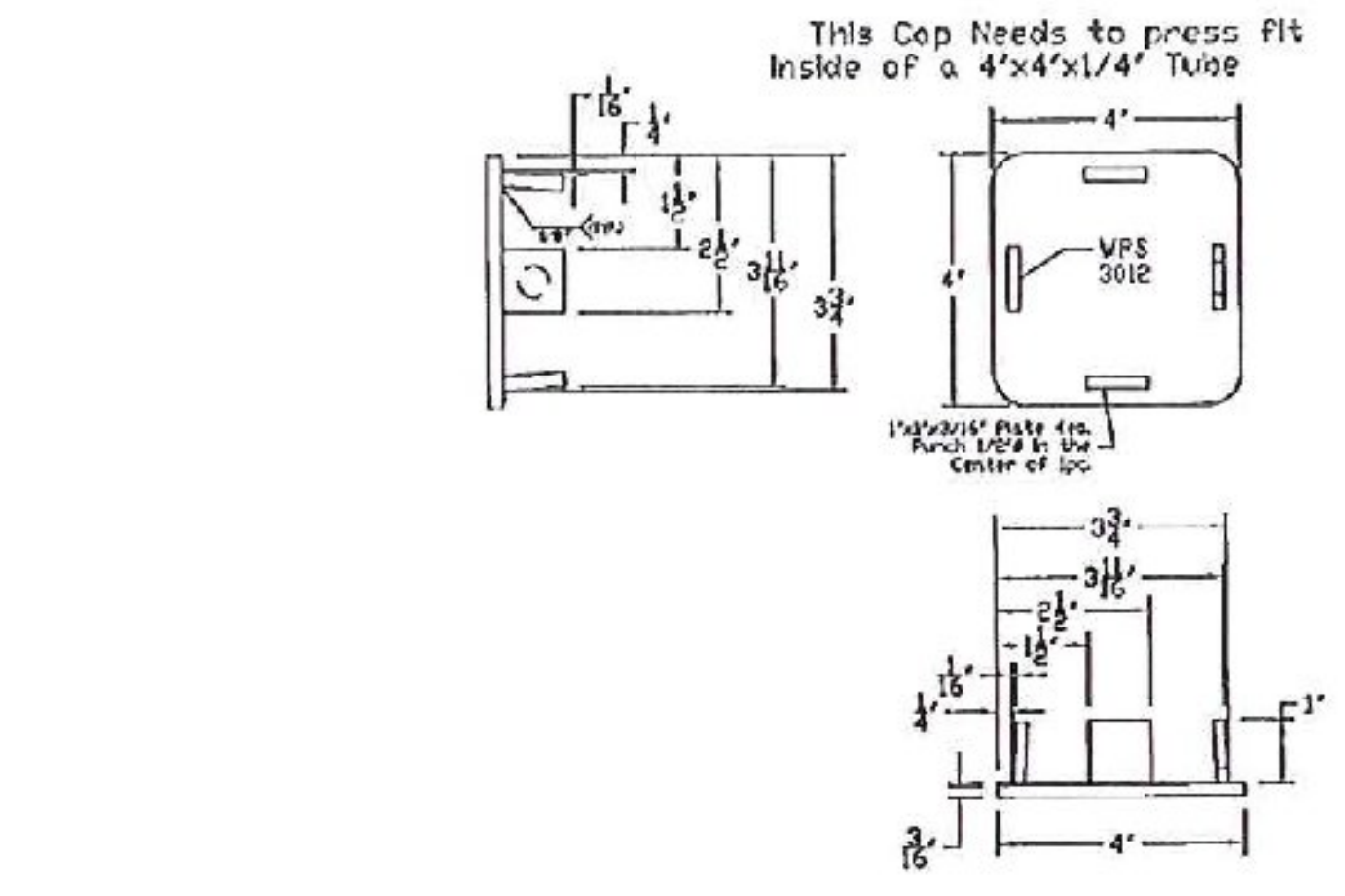
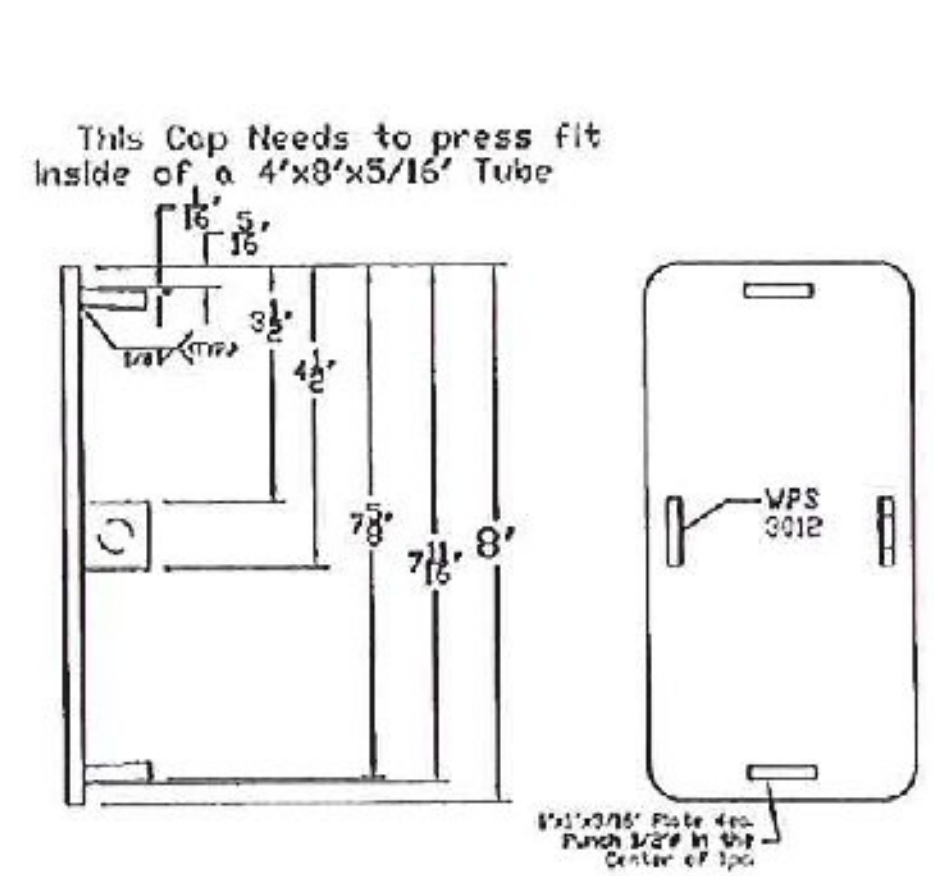
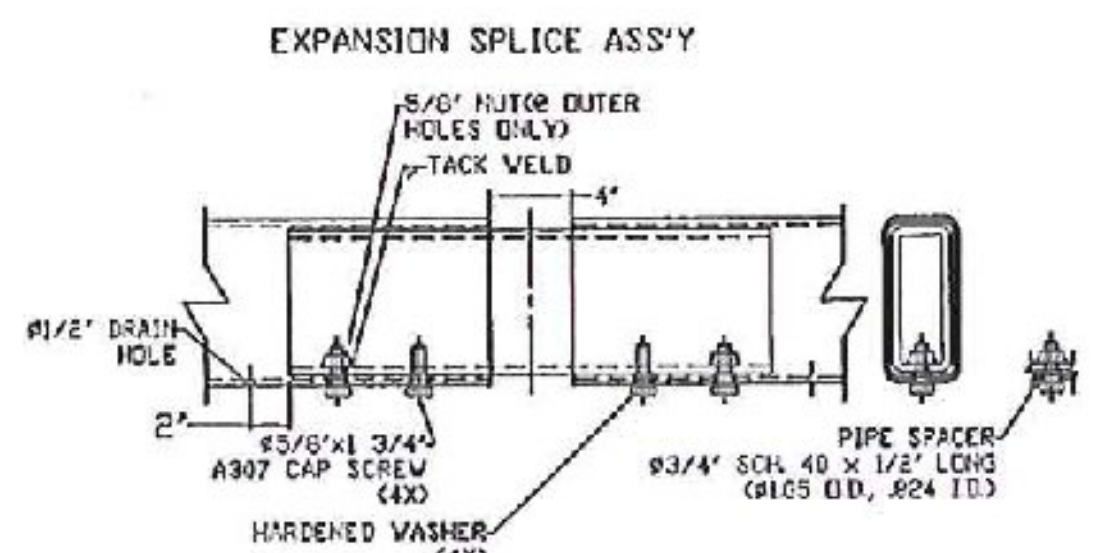
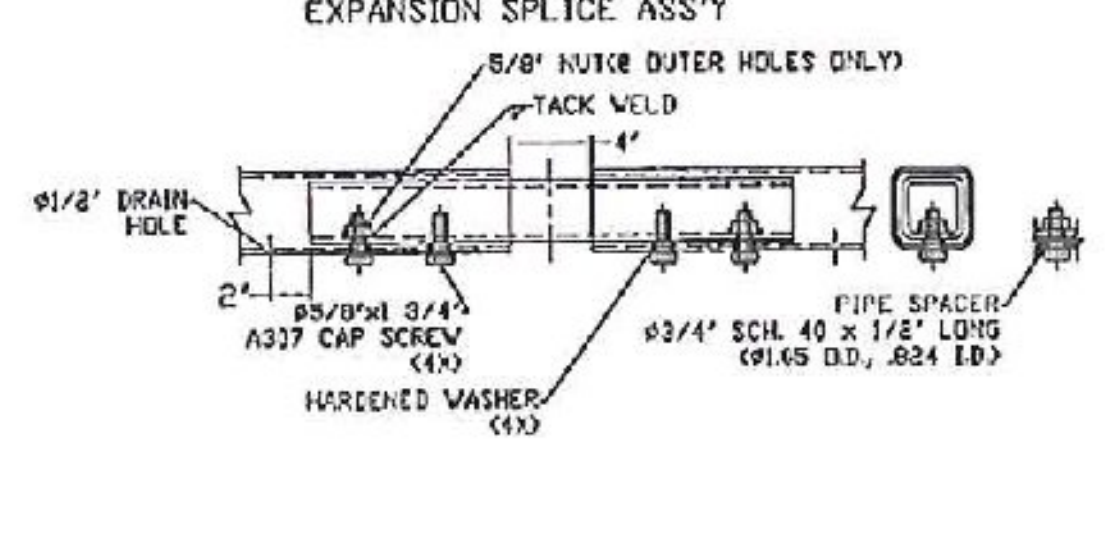
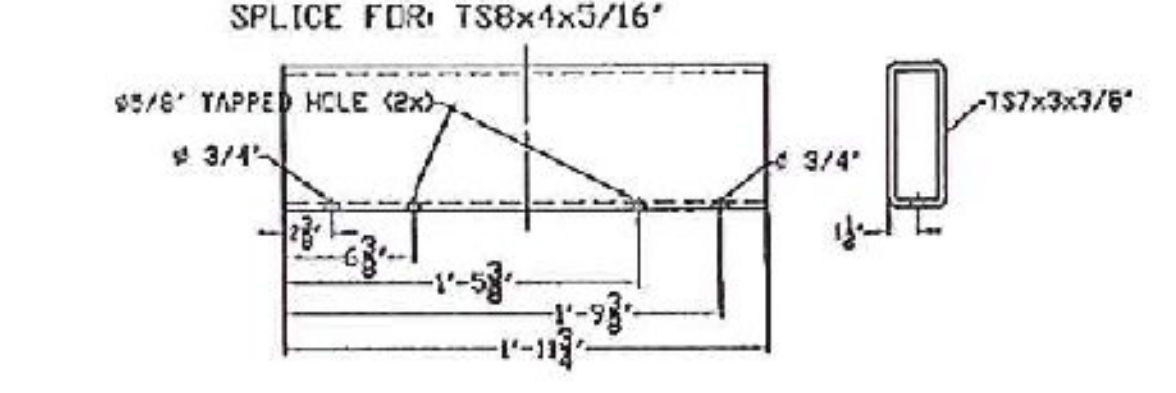
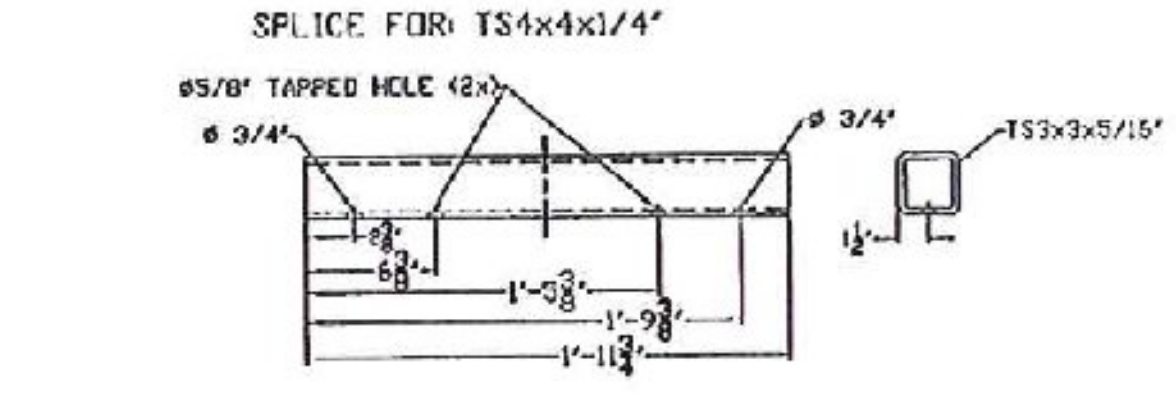
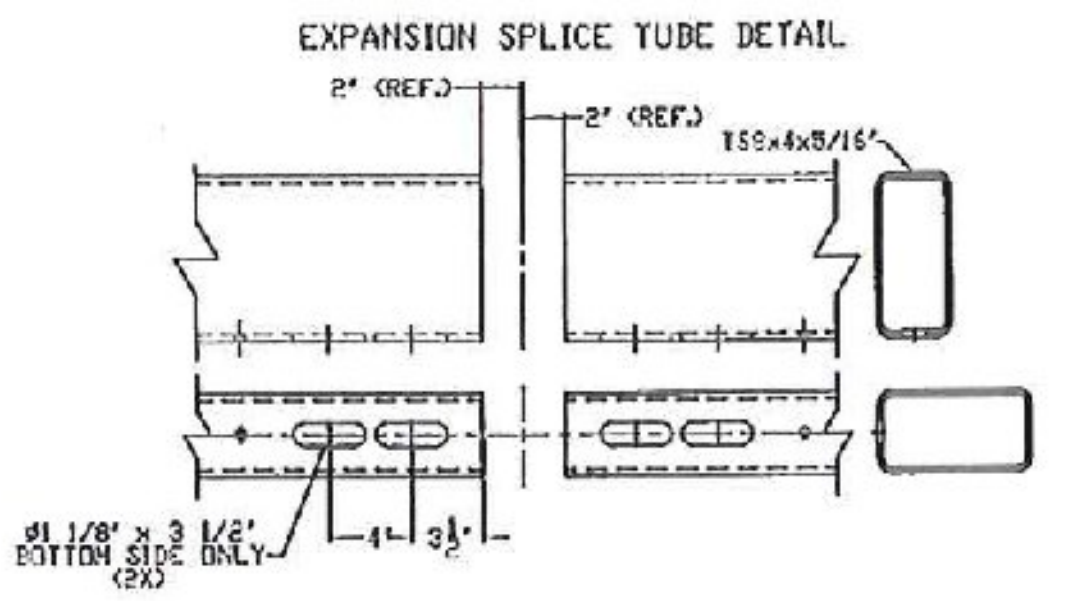
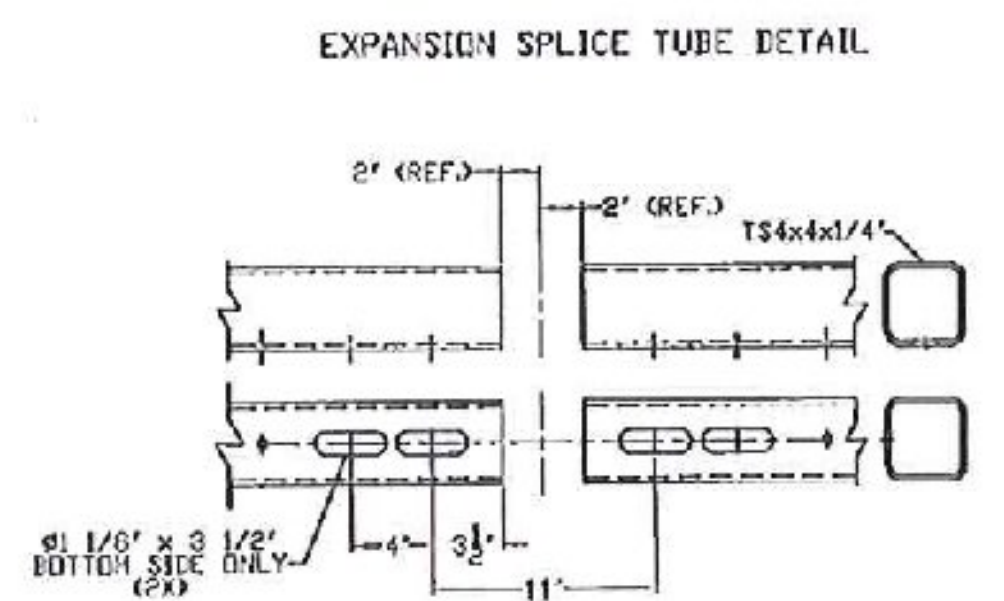
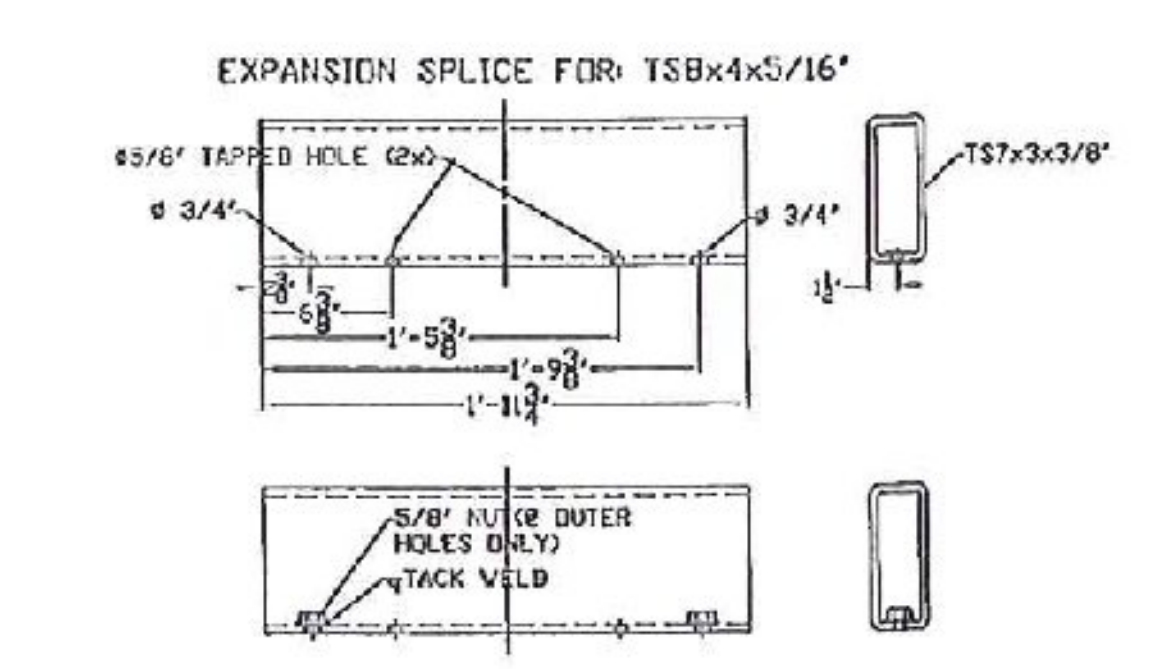
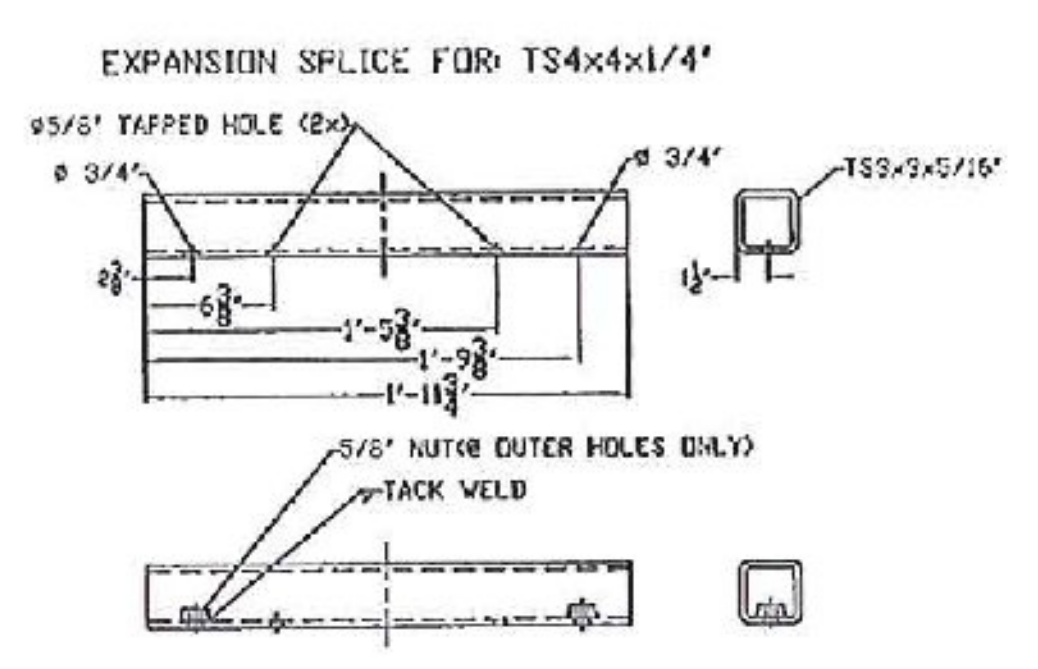
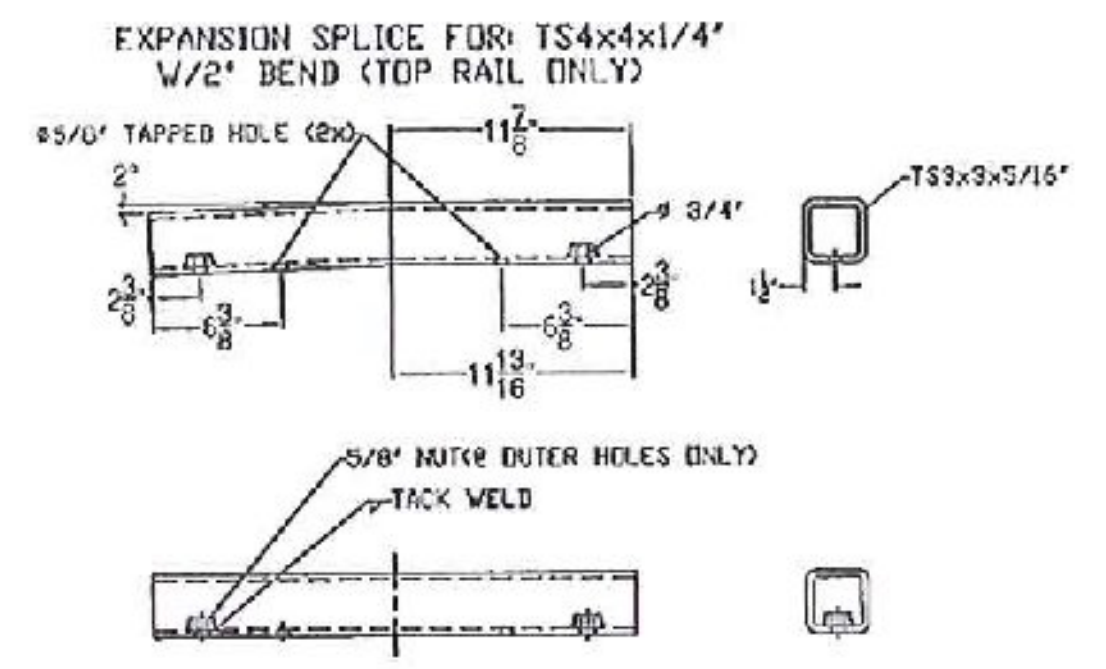


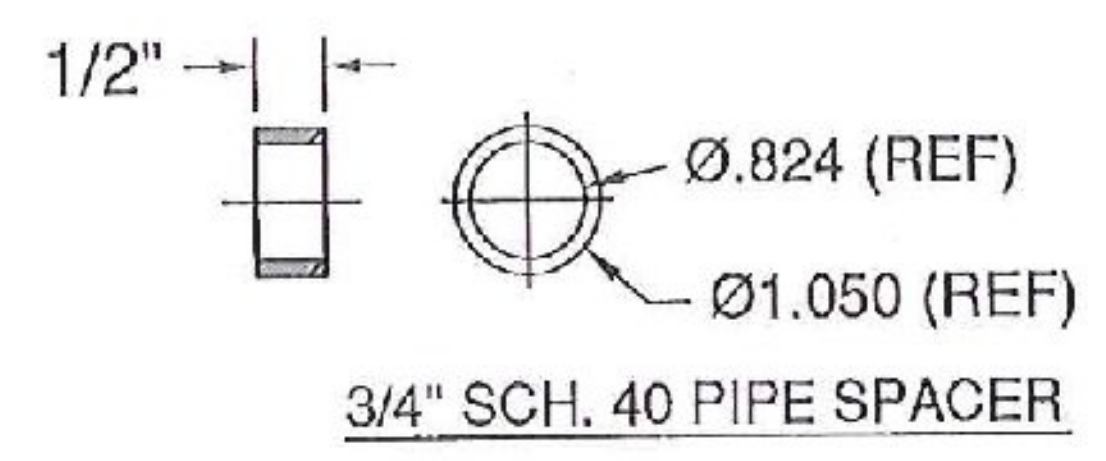
RAILS TO BE PIE CUT & WELDED TO MATCH 7.25' RADIUS. WELD MUST AVOID INTERFERENCE WITH POST. ELDERLEE, INC. WPS 3011 & WPS 3026



CONNECTION PLATE



EXPANSION SPLICE - (4) BOLTS, (4) WASHERS, (4) PIPE SPACERS



POWDER COATED BLACK AFTER GALV. PER ASTM D7803

VTrans Received OK'd by Jwe

AUG 06 2014

Resubmit BY APPROVED DATE 8/12/14

ITEM #: 621.73 GEN CONTR: F.R. LAFAYETTE, P.O. 29045 SHEET 2 OF 3

APPROVED BY: _____

BRIDGE RAIL DETAILS SHEET

PROJECT: TOWN OF JERICO COUNTY OF CHITTENDEN VT. 15 (MINOR ARTERIAL) PEDESTRIAN BRIDGE JERICO FTBR (3)

R NO.	DATE	DESCRIPTION	BY	R NO.	DATE	DESCRIPTION	BY
E				E			
V				V			

ELDERLEE, INC.
OAKS CORNERS, NEW YORK 14618
E-Mail: dlong@elderlee.com
Tel: 315-789-6670 Fax: 315-789-6615

DRAWN: D.L. 7/23/2014
CHECKED: E.P. 7/23/2014
APPROVED: _____
SCALE: SCHEMATIC
DRAWING NO. F.R.L. JERICO 22045 GRAS