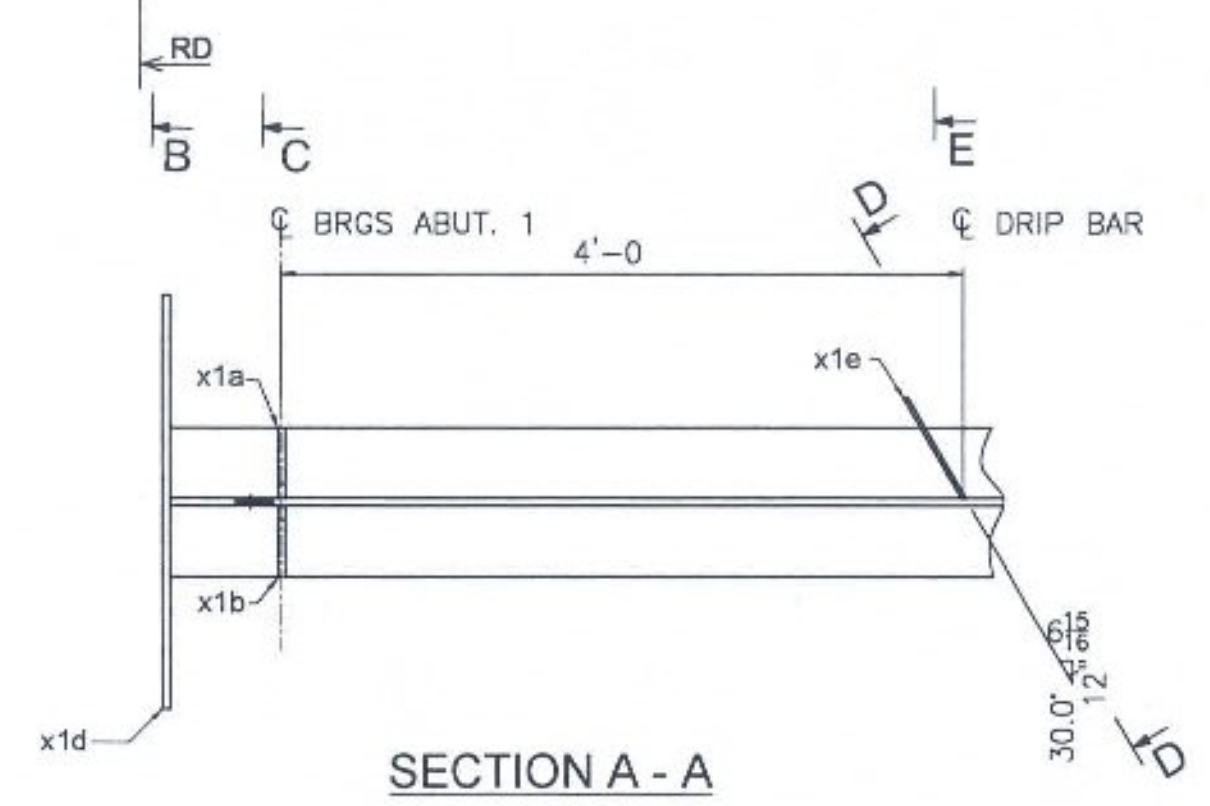
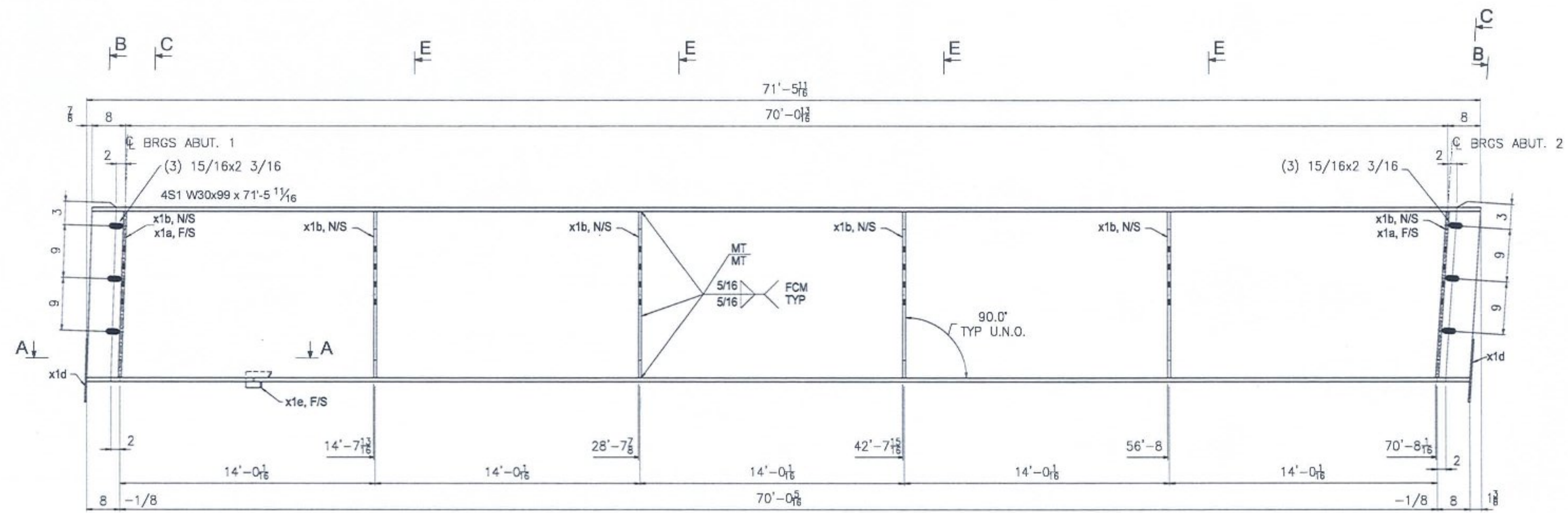
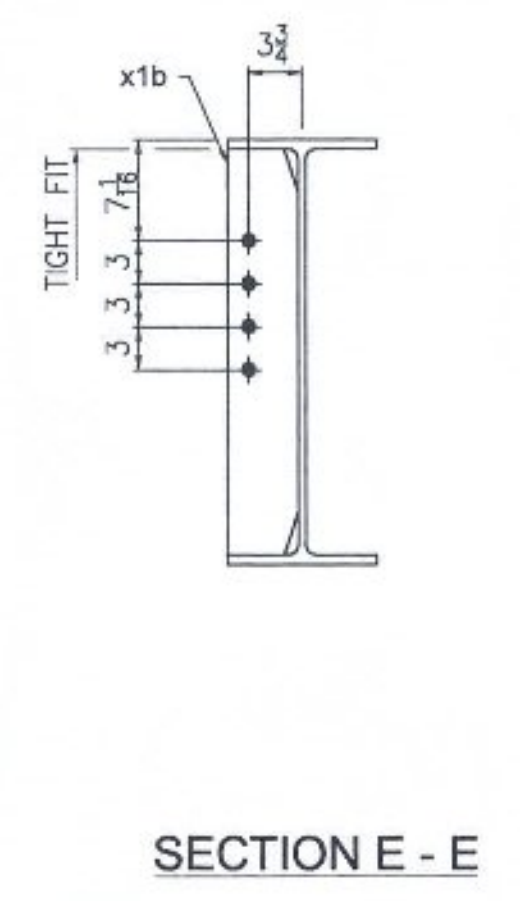
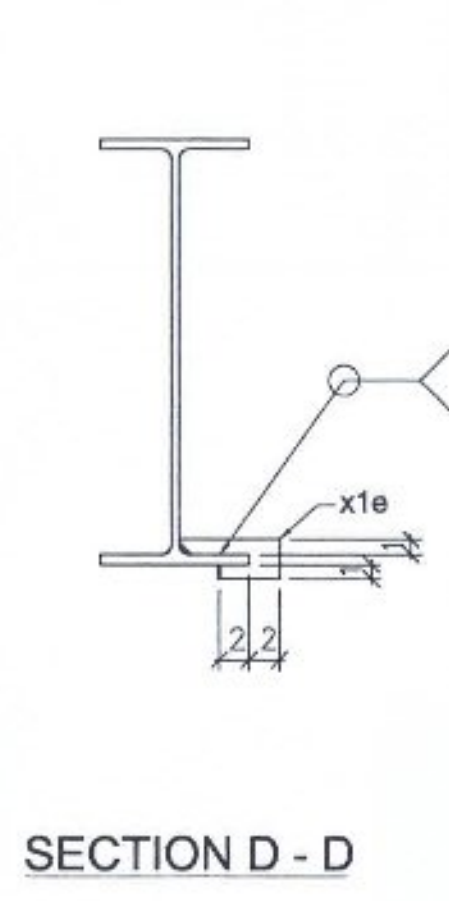
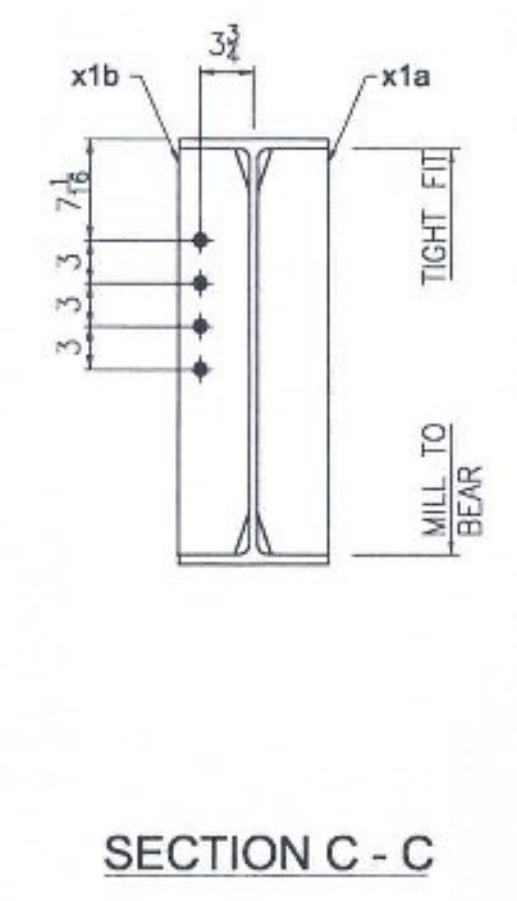
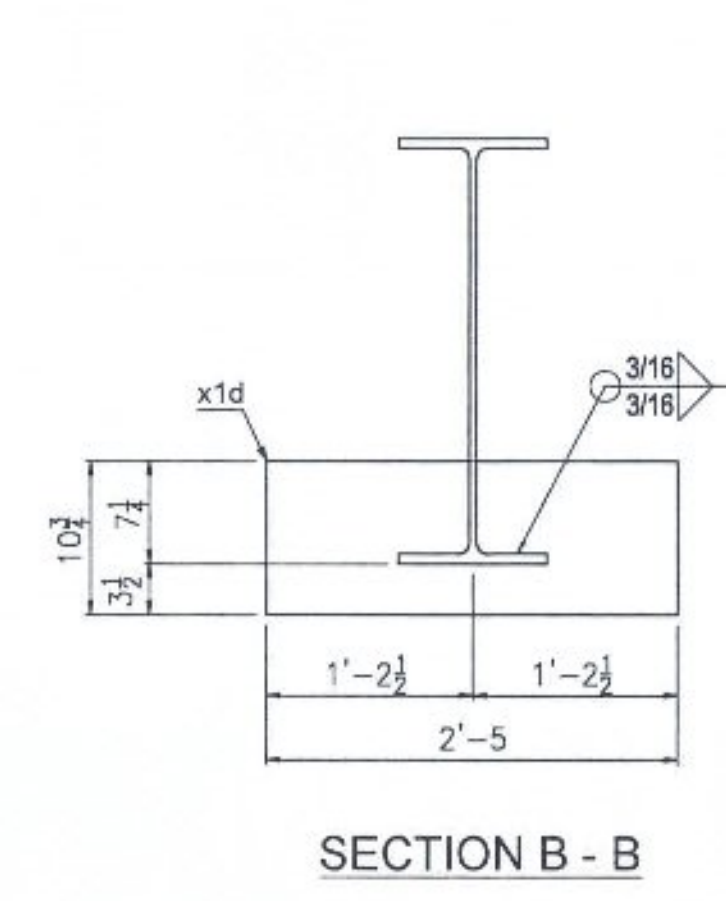


ABM INFO		BILL OF MATERIAL			JOB NO.	DWG NO.	REV.
LINE	MARK	QTY	DESCRIPTION	LENGTH	576	4	0
2	451	1	W30x99	71'-5 1/8"	M270-50W2	CVN, FCM	7.065
5	x1a	2	PL 1/2x5	2'-4 5/16"	M270-50W	M1E	20
4	x1b	6	PL 1/2x5	2'-4 5/16"	M270-50W	M1E AT BRG	121
6	x1d	2	PL 1/4x10 3/4	2'-5"	M270-50W		44
7	x1e	1	PL 1/4x2 3/4	0'-7 15/16"	M270-50W	DRIP BAR	2
		12					7.271
		12					7.271
TOTAL WEIGHT THIS DRAWING							7.271



1 - (4S1) W30x99 x 71'-5 1/8"
 d=2'-5 1/8" b=10 1/2" t=1 1/8" w=1/2" k=1 9/16"
 (CVN), (FCM)
 STRINGER No.1



- NO EXCEPTION TAKEN
- REJECTED
- MAKE CORRECTIONS NOTED
- REVISE AND RESUBMIT
- SUBMIT SPECIFIED ITEM

CHECKING IS ONLY FOR GENERAL CONFORMANCE WITH THE DESIGN CONCEPT OF THE PROJECT AND GENERAL COMPLIANCE WITH THE INFORMATION GIVEN IN THE CONTRACT DOCUMENTS. ANY ACTION SHOWN IS SUBJECT TO THE REQUIREMENTS OF THE PLANS AND SPECIFICATIONS. CONTRACTOR IS RESPONSIBLE FOR DIMENSIONS WHICH SHALL BE CONFIRMED AND CORRELATED AT THE JOB SITE; FABRICATION PROCESSES AND TECHNIQUES OF CONSTRUCTION; COORDINATION OF HIS WORK WITH THAT OF ALL OTHER TRADES AND THE SATISFACTORY PERFORMANCE OF THE WORK.

DATE 08/07/2014 BY CHA 115

- NOTES:
1. STIFFENER / CONNECTION PLATES ARE NORMAL TO FLANGES EXCEPT AT BEARINGS
 2. FOR CAMBER DIAGRAM SEE DWG C2
 3. FOR GENERAL NOTES SEE DWG GN1
 4. FOR WELD TERMINATION DETAILS SEE DWG GN1

REV.	DATE	ISSUED FOR APPROVAL	REVISION NOTE	By
0	7/22/2014			
MATERIAL: MS-TO M270-GR50W U.N.C.		SURFACE PREP. AND PAINT: N/A		HOLES: 15/16" U.N.C.
SHOP BOLTS: 7/8" U.N.C.		DESCRIPTION: FABRICATION DETAILS STRINGER No.1		
CASCO BAY STEEL STRUCTURES, INC. 1 WALLACE AVE. SOUTH PORTLAND, ME 04106 PHONE (207) 780-6722 FAX (207) 780-6726				
STRUCTURE:	VERMONT ROUTE 15 OVER BROWNS RIVER	DRAWN:	ID	DATE: 07/22/14
CHECKED:	AD	DATE:	07/22/14	
LOCATION:	TOWN OF JERICHO, VT	JOB NO.	576	DWG NO. 4
PROJECT NO.	STP FIBR (3)	CUSTOMER:	Blow & Cote, INC.	REV. 0