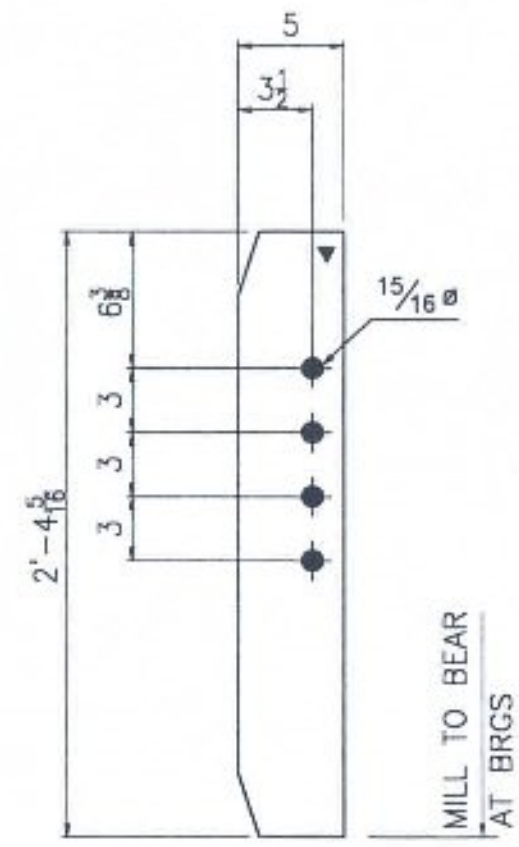
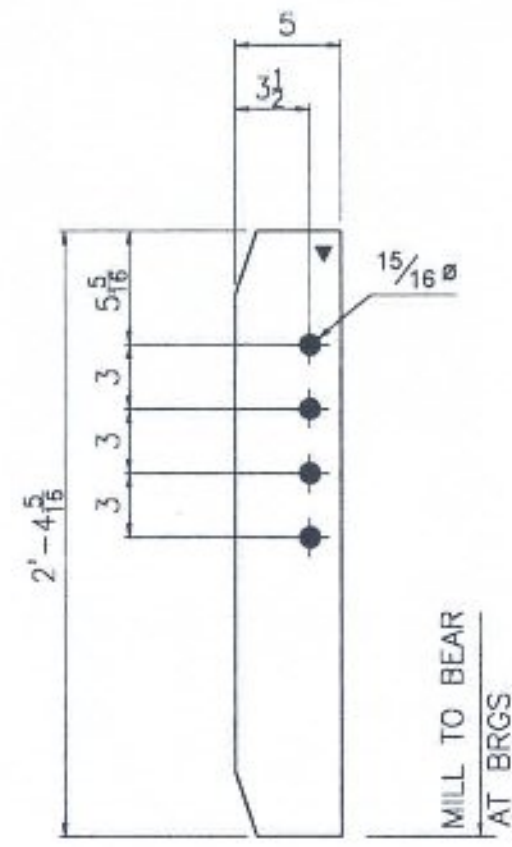


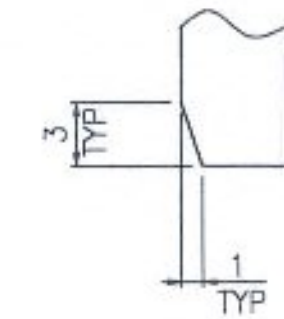
4 - (x1a) PL 1/2x5 x 2'-4 5/16 -M270-50W



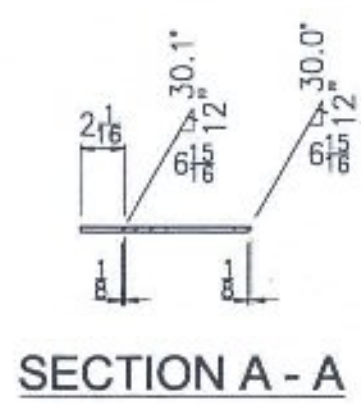
6 - (x1b) PL 1/2x5 x 2'-4 5/16 -M270-50W



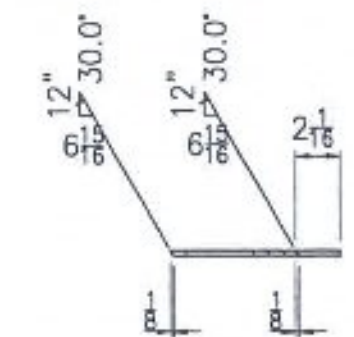
6 - (x1c) PL 1/2x5 x 2'-4 5/16 -M270-50W



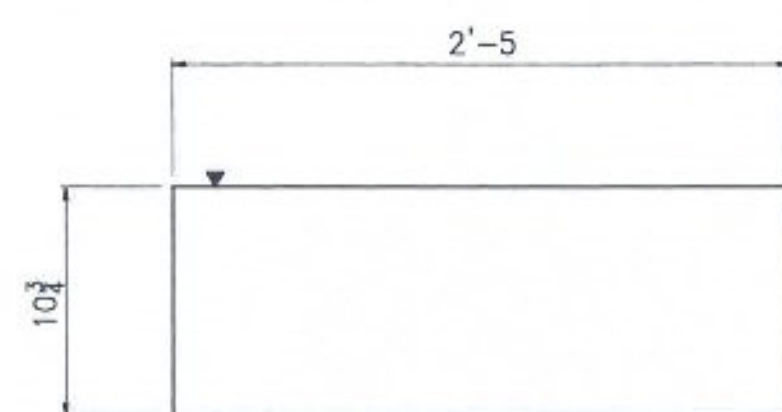
TYPICAL CLIP DETAIL
SCALE: 1-1/2" = 1'-0"



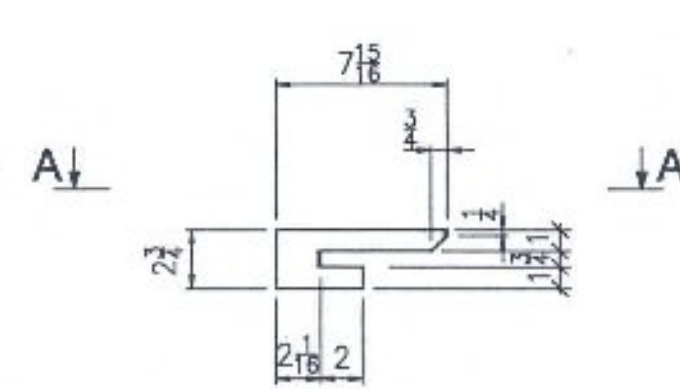
SECTION A - A



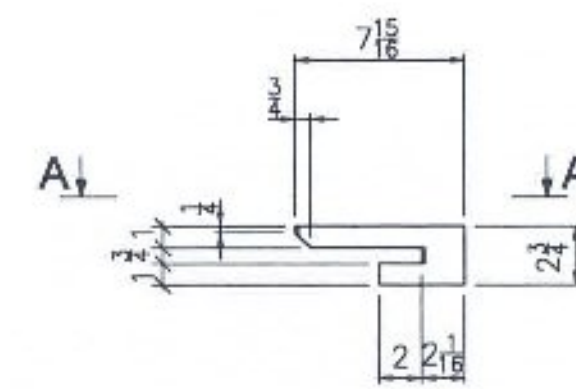
SECTION A - A



4 - (x1d) PL 1/4x10 3/4 x 2'-5-M270-50W



1 - (x1e) PL 1/4x2 3/4 x 0'-7 15/16 -M270-50W
DRIP BAR



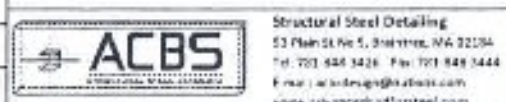
1 - (x1f) PL 1/4x2 3/4 x 0'-7 15/16 -M270-50W
DRIP BAR

- NO EXCEPTION TAKEN
- MAKE CORRECTIONS NOTED
- REJECTED
- REVISE AND RESUBMIT
- SUBMIT SPECIFIED ITEM

CHECKING IS ONLY FOR GENERAL CONFORMANCE WITH THE DESIGN CONCEPT OF THE PROJECT AND GENERAL COMPLIANCE WITH THE INFORMATION GIVEN IN THE CONTRACT DOCUMENTS. ANY ACTION SHOWN IS SUBJECT TO THE REQUIREMENTS OF THE PLANS AND SPECIFICATIONS. CONTRACTOR IS RESPONSIBLE FOR DIMENSIONS WHICH SHALL BE CONFIRMED AND CORRELATED AT THE JOB SITE; FABRICATION PROCESSES AND TECHNIQUES OF CONSTRUCTION; COORDINATION OF HIS WORK WITH THAT OF ALL OTHER TRADES AND THE SATISFACTORY PERFORMANCE OF THE WORK.

DATE 08/07/2014 BY CHA IJS

MARK	QUANTITY	IN ASSEMBLY
x1a	2	4S1
x1a	2	5S2
x1b	6	4S1
x1c	6	5S2
x1d	2	4S1
x1d	2	5S2
x1e	1	4S1
x1f	1	5S2
	22	



REV.	DATE	ISSUED FOR APPROVAL	REVISION NOTE	By
0	7/22/2014			

MATERIAL: AISI-10 M270-GR50W I.N.O.	SURFACE PREP. AND PAINT: N/A	HOLES: 15/16" U.N.O.	SHOP BOLTS: 7/8" U.N.O.
DESCRIPTION: JOB STANDARDS			
CASCO BAY STEEL STRUCTURES, INC. 1 WALLACE AVE. PHONE (207) 780-6722 SOUTH PORTLAND, ME 04106 FAX: (207) 780-6726			
STRUCTURE: VERMONT ROUTE 15 OVER BROWNS RIVER	DRAWN: ID	DATE: 07/22/14	
	CHECKED: AD	DATE: 07/22/14	
LOCATION: TOWN OF JERICO, VT	JOB NO. 576	DWG NO. X1	
PROJECT NO. STP FTBR (3)		REV. 0	
CUSTOMER: Blow & Cote, INC.			