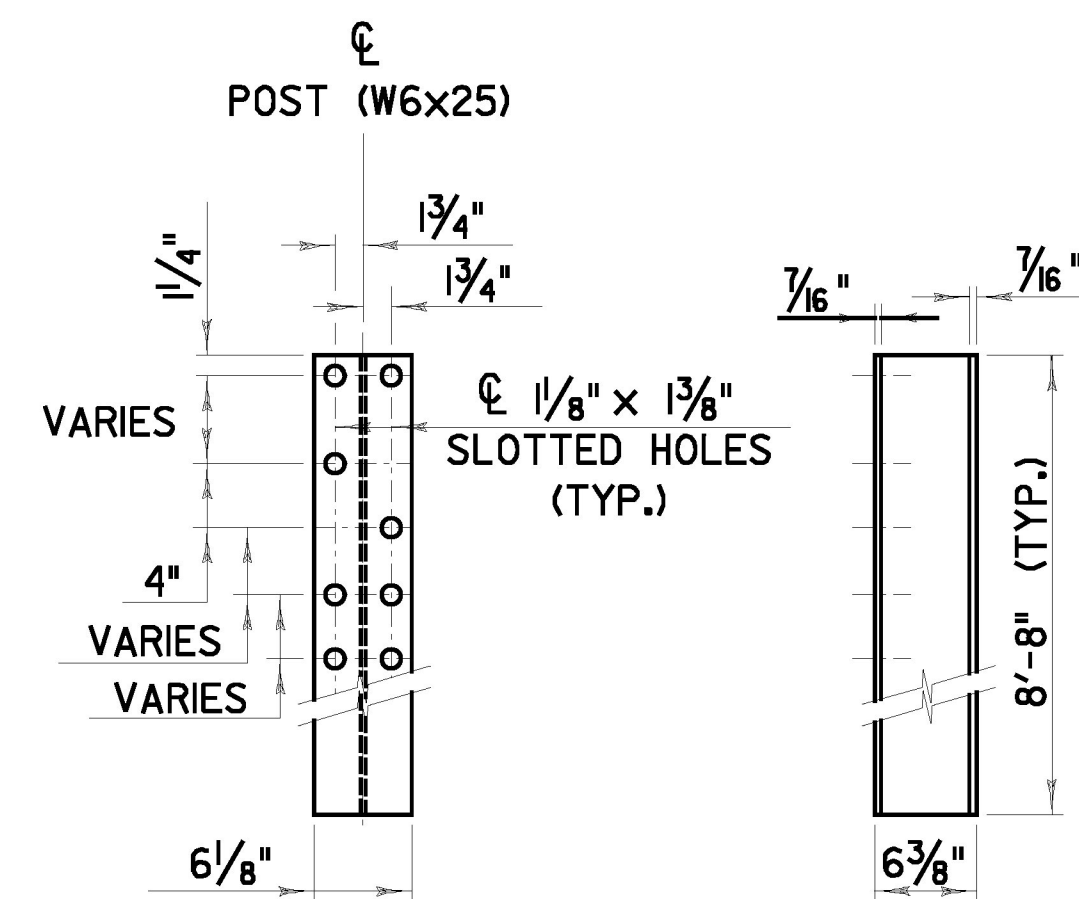


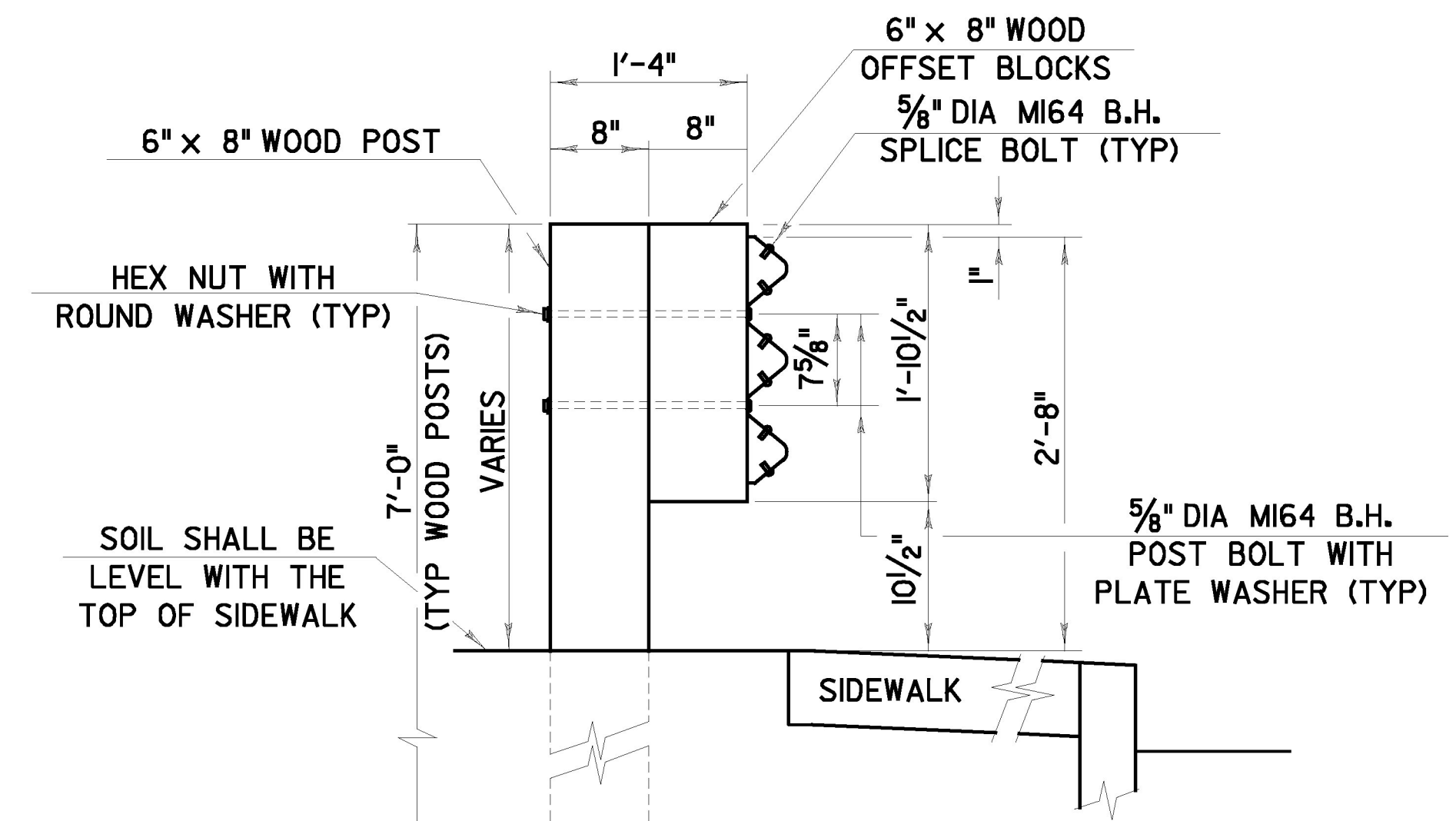
END CAP DETAIL

END CAP NOTES

1. WELD TABS TO END CAP PLATE IN TAPERED POSITION SO CAP CAN BE JAMMED INTO END OF RAIL TUBE.
2. ROUND CORNERS 1/2" RADIUS (TYP)

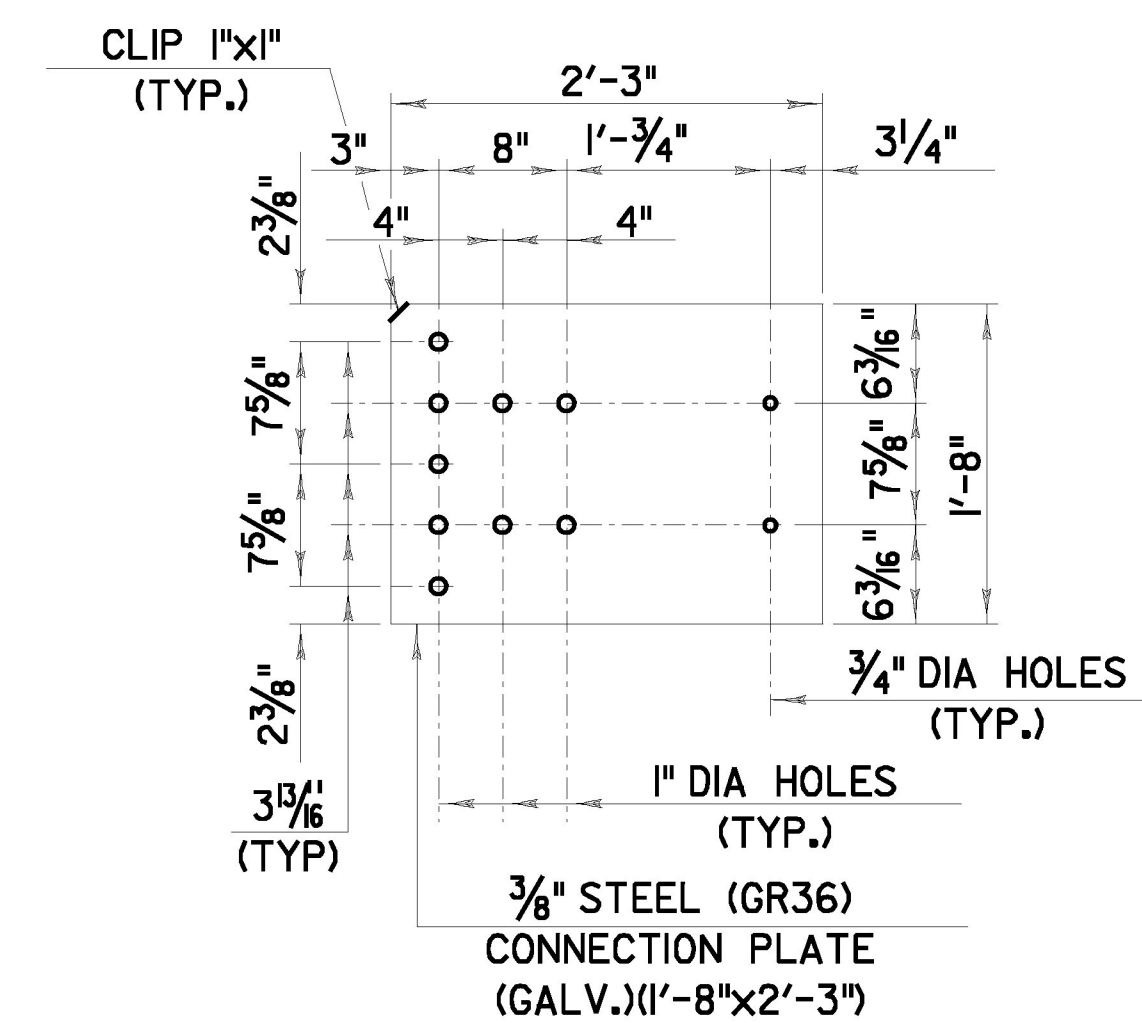


RAIL POST

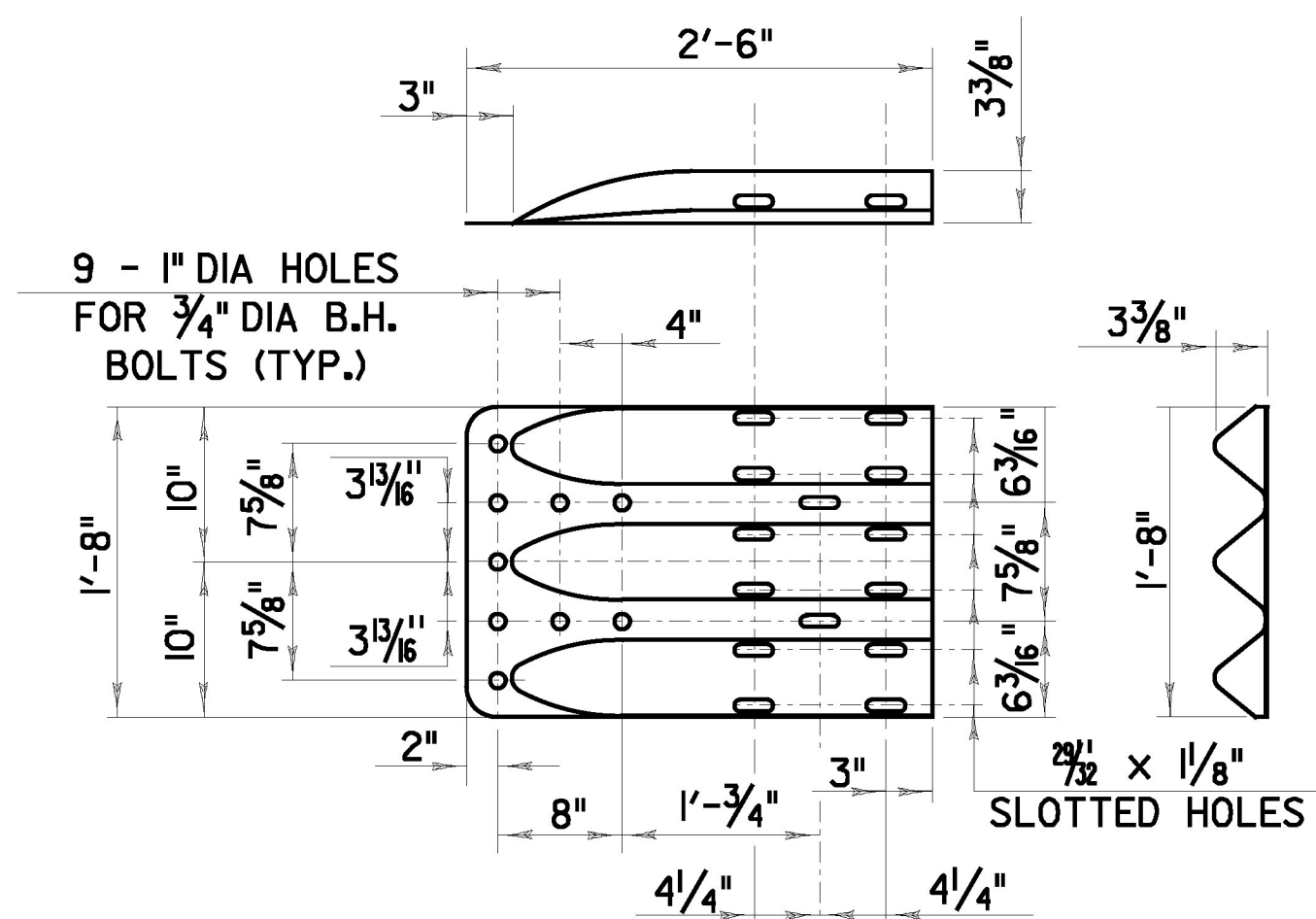


SECTION B-B (POST RAIL ASSEMBLY)

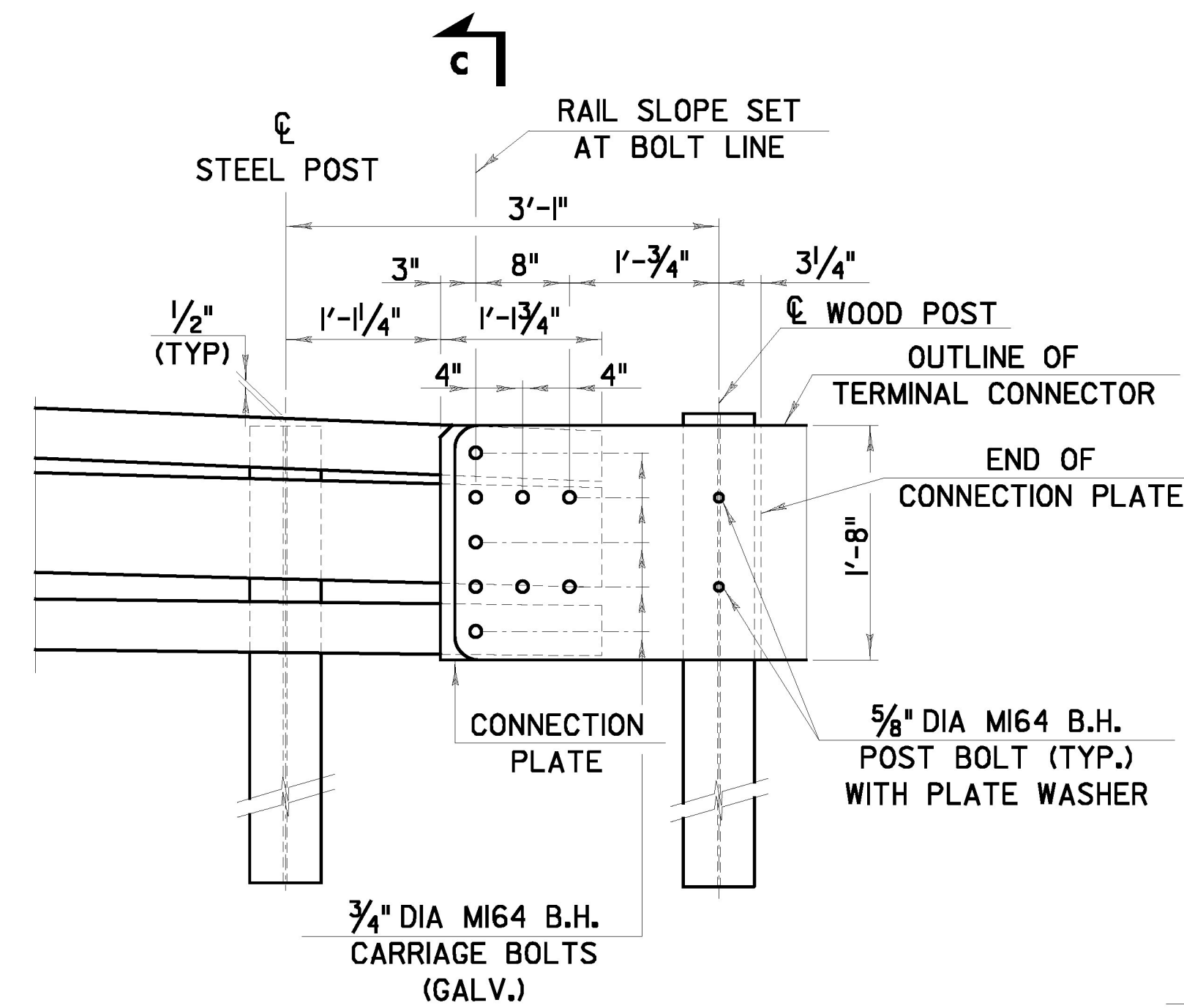
SEE SHEET 42 FOR SECTION B-B LOCATION



CONNECTION PLATE

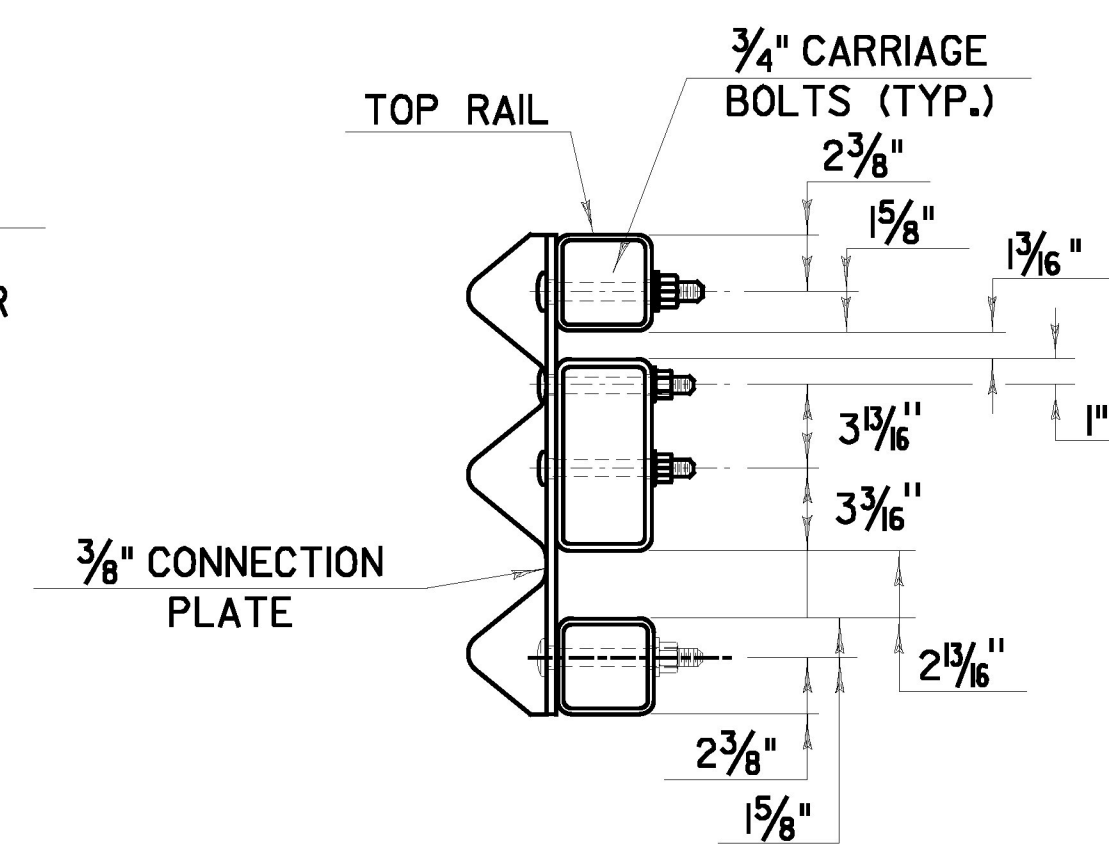


THREE-BEAM TERMINAL CONNECTOR

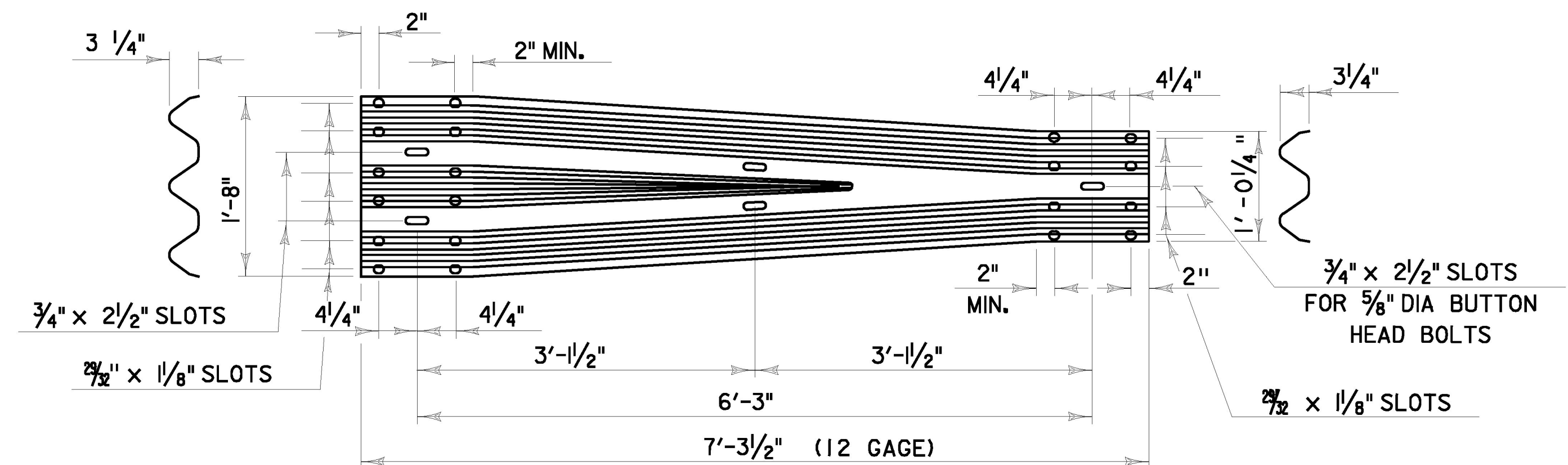


GUARDRAIL APPROACH DETAIL A

SEE SHEET 42 FOR GUARDRAIL APPROACH DETAIL A LOCATION



SECTION C-C (CONNECTION PLATE)



THREE-BEAM TO STD SB TRANSITION SECTION

NOT TO SCALE



GUARDRAIL APPROACH SECTION DETAILS #3

PROJECT NAME: JERICO
PROJECT NUMBER: STP FTBR (3)

PROJECT LEADER: M.D.S.
DESIGNED BY: C.R.H.
DWG. NO.: GRAPP-3

PLOT DATE: 4/7/2014
DRAWN BY: C.R.H.
CHECKED BY: D.E.G.
SHEET 43 OF 62