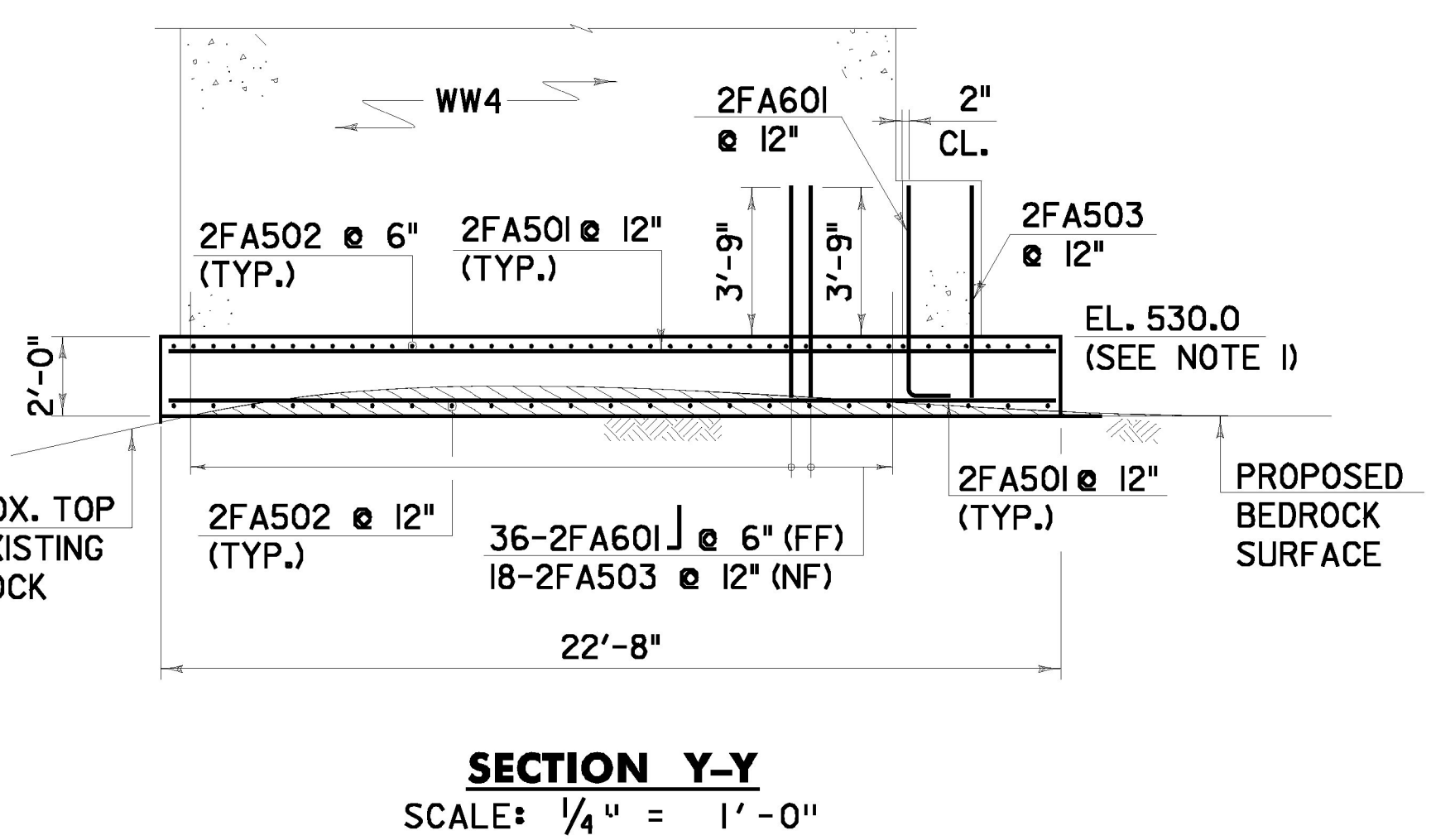
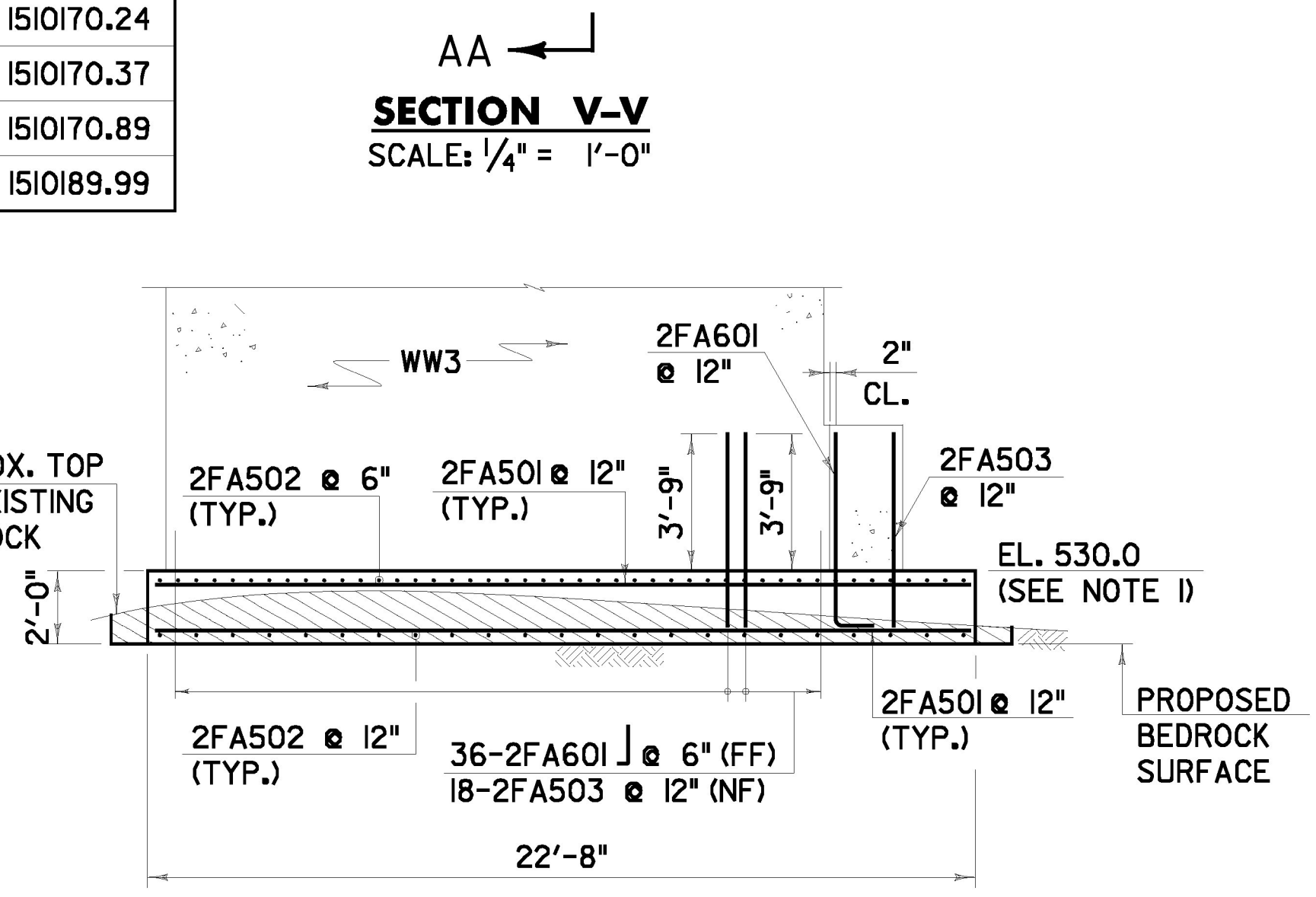
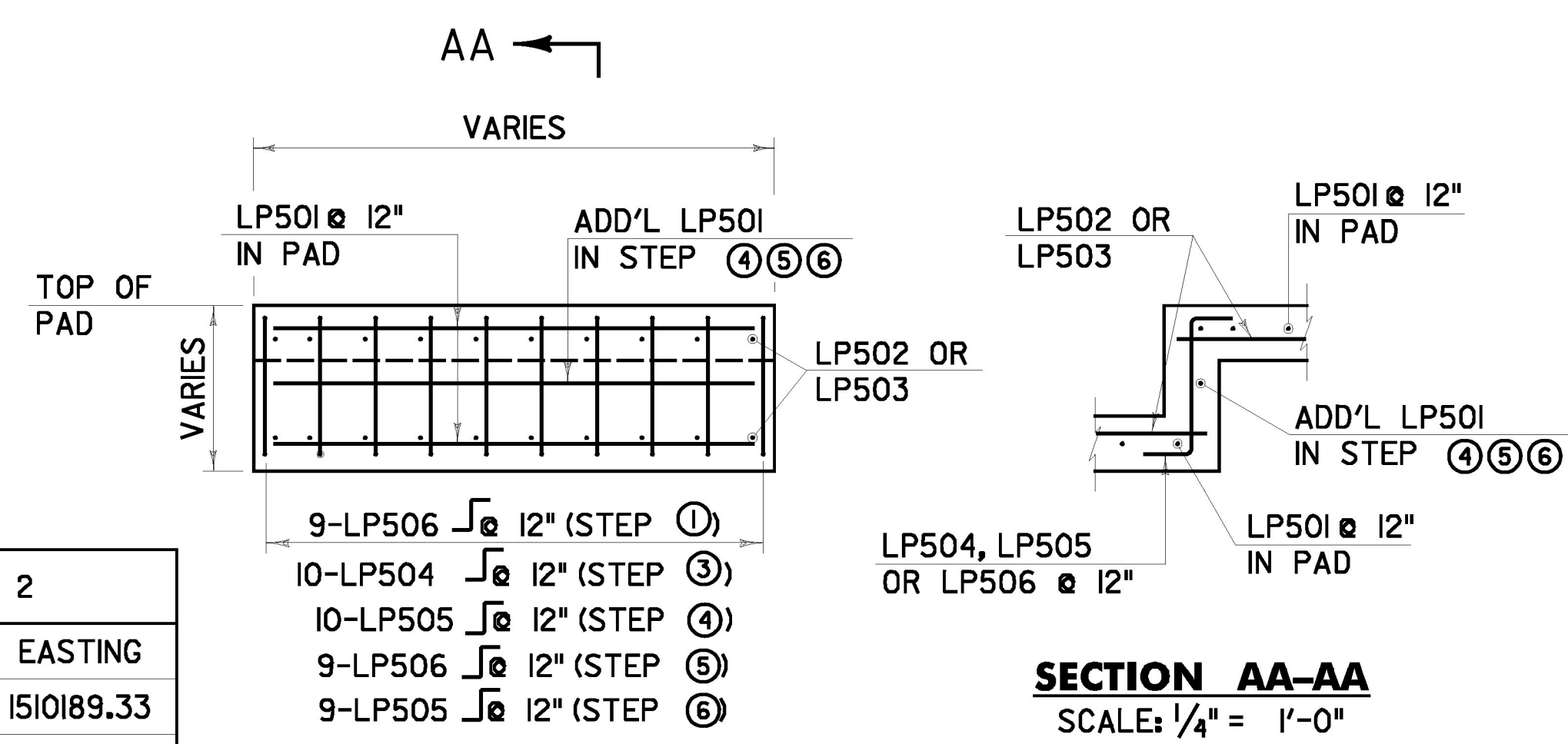
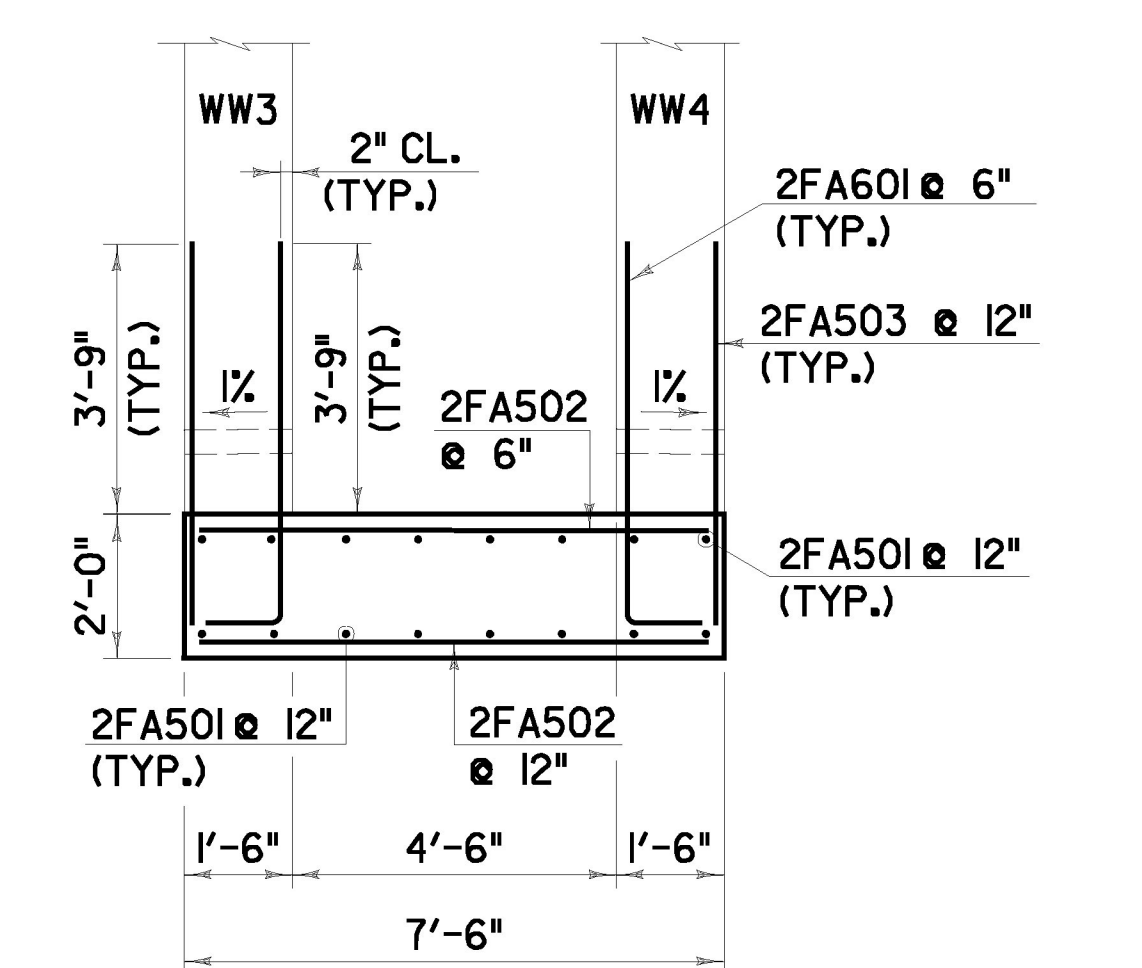
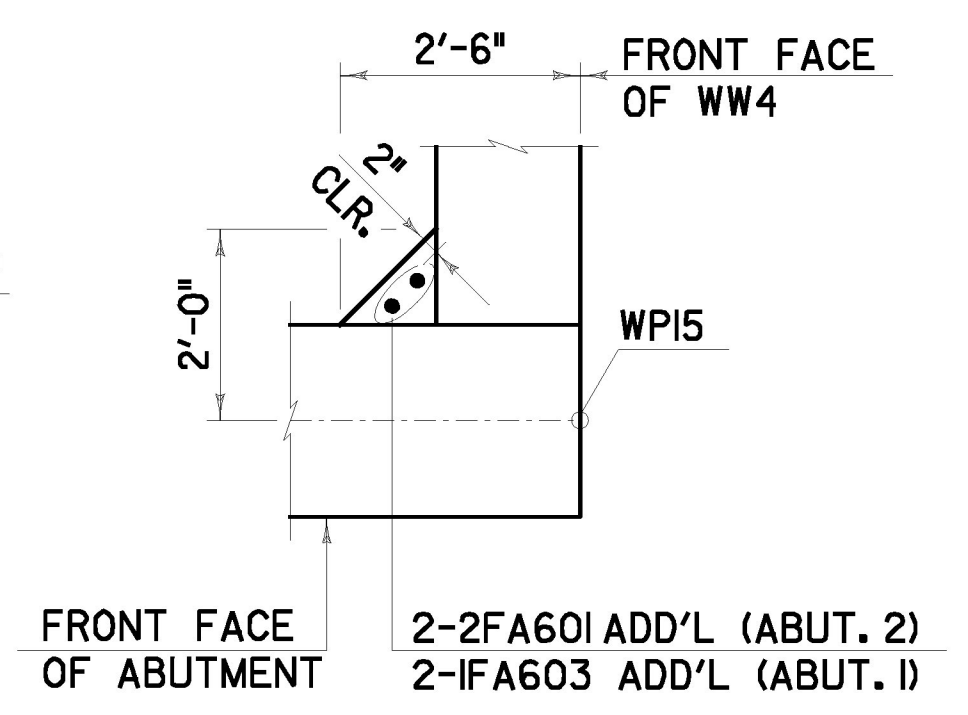
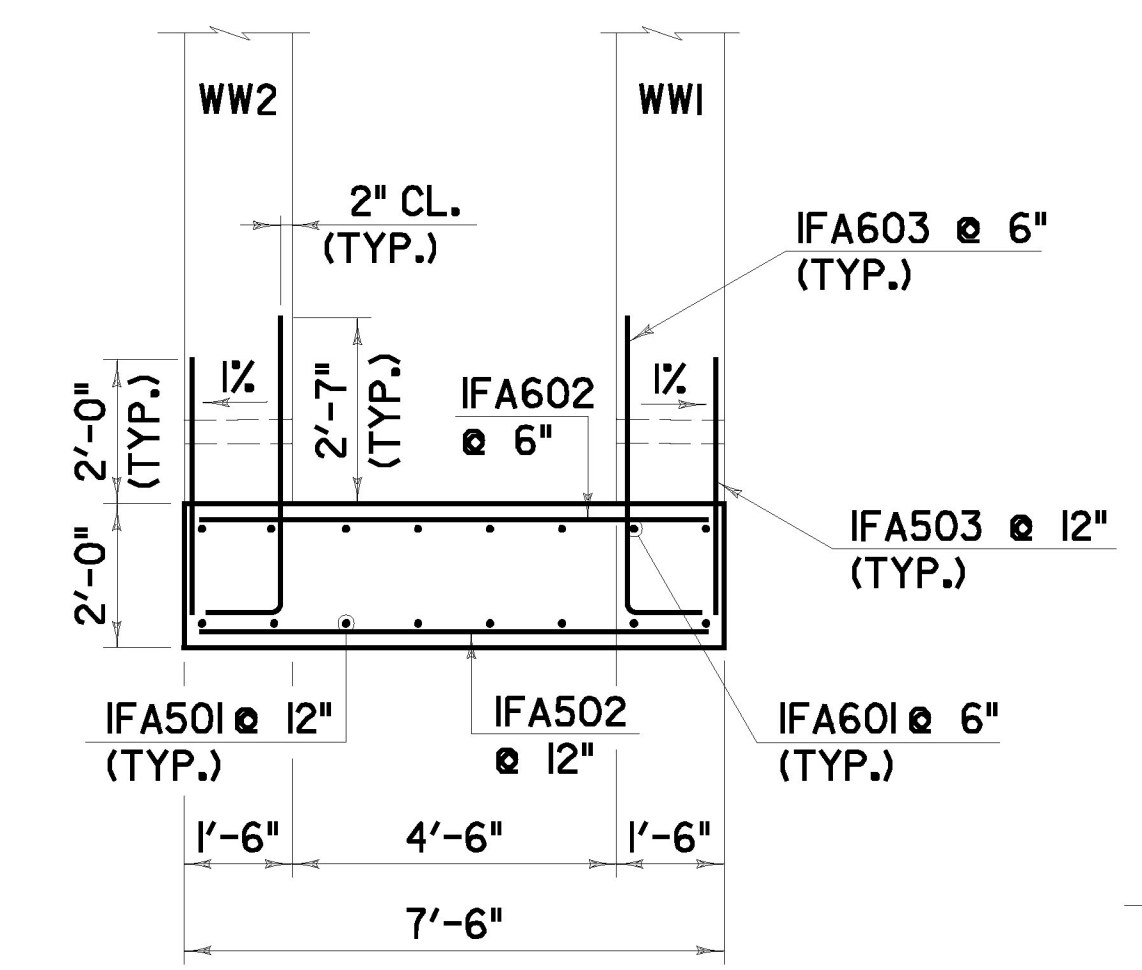


ABUTMENT 2		
WP	NORTHING	EASTING
WP12	730937.64	1510189.33
WP13	730935.97	1510170.24
WP14	730934.47	1510170.37
WP15	730928.49	1510170.89
WP16	730930.17	1510189.99

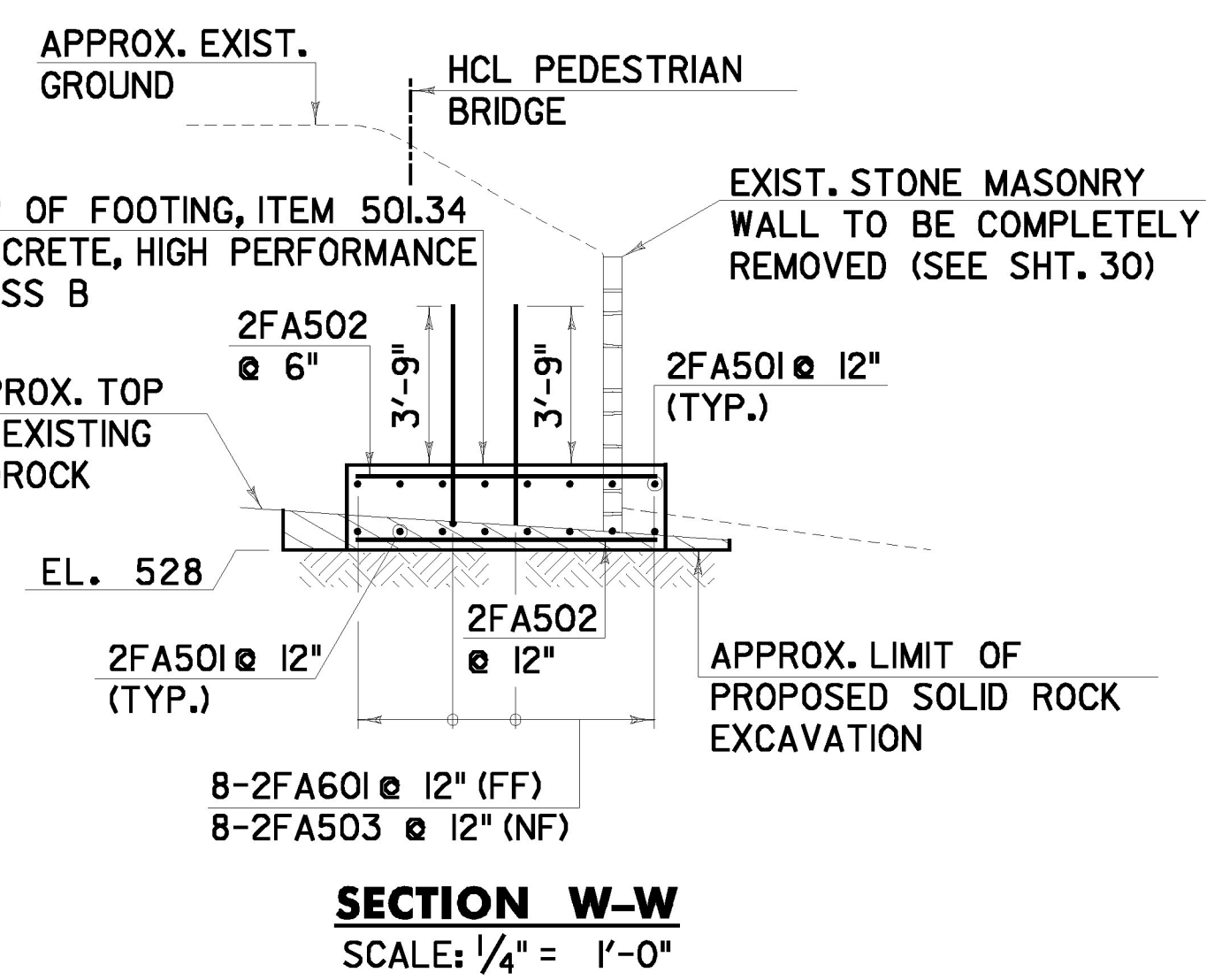


NOTES:

1. ABUTMENT 2 FOOTING ELEVATIONS ARE BASED ON APPROXIMATION OF THE EXISTING BEDROCK PROFILE. THE DESIGN HEIGHT OF THE SUBSTRUCTURE ELEMENTS WERE DETERMINED BASED ON THE ELEVATIONS SHOWN. TO SUIT ACTUAL FIELD CONDITIONS, THE CONTRACTOR MAY PROPOSE ALTERNATE FOOTING ELEVATIONS TO THE STRUCTURES ENGINEER FOR APPROVAL.
2. 3" CLR. UNLESS OTHERWISE SPECIFIED ON PLANS.
3. ALL REINFORCING STEEL IN THE FOOTING AND LEVELING PAD SHALL BE PLAIN REINFORCING STEEL AND SHALL BE PAID FOR UNDER ITEM 507.11 REINFORCING STEEL, LEVEL 1.



ABUTMENT 2 FOUNDATION PLAN
SCALE: 1/4" = 1'-0"



LEGEND 1

APPROXIMATE LIMIT OF ITEM 203.16 SOLID ROCK EXCAVATION (SEE NOTE 1)

LEGEND 2

NF = NEAR FACE
FF = FAR FACE
EF = EACH FACE
▲ = CUT IN FIELD



ABUTMENT 2 FOUNDATION PLAN

PROJECT NAME: JERICHO	PLOT DATE: 4/7/2014
PROJECT NUMBER: STP FTBR (3)	DRAWN BY: D.M.D.
PROJECT LEADER: M.D.S.	CHECKED BY: P.M.P.
DESIGNED BY: D.M.D.	SHEET 36 OF 62



FILE NAME: V:\Projects\WY\K2\21113\CADD\WSTN\08F004\Consult\ents\2081084\foundationsplan2.dgn
DATE/TIME: 4/7/2014 4:46:46
USER: d46