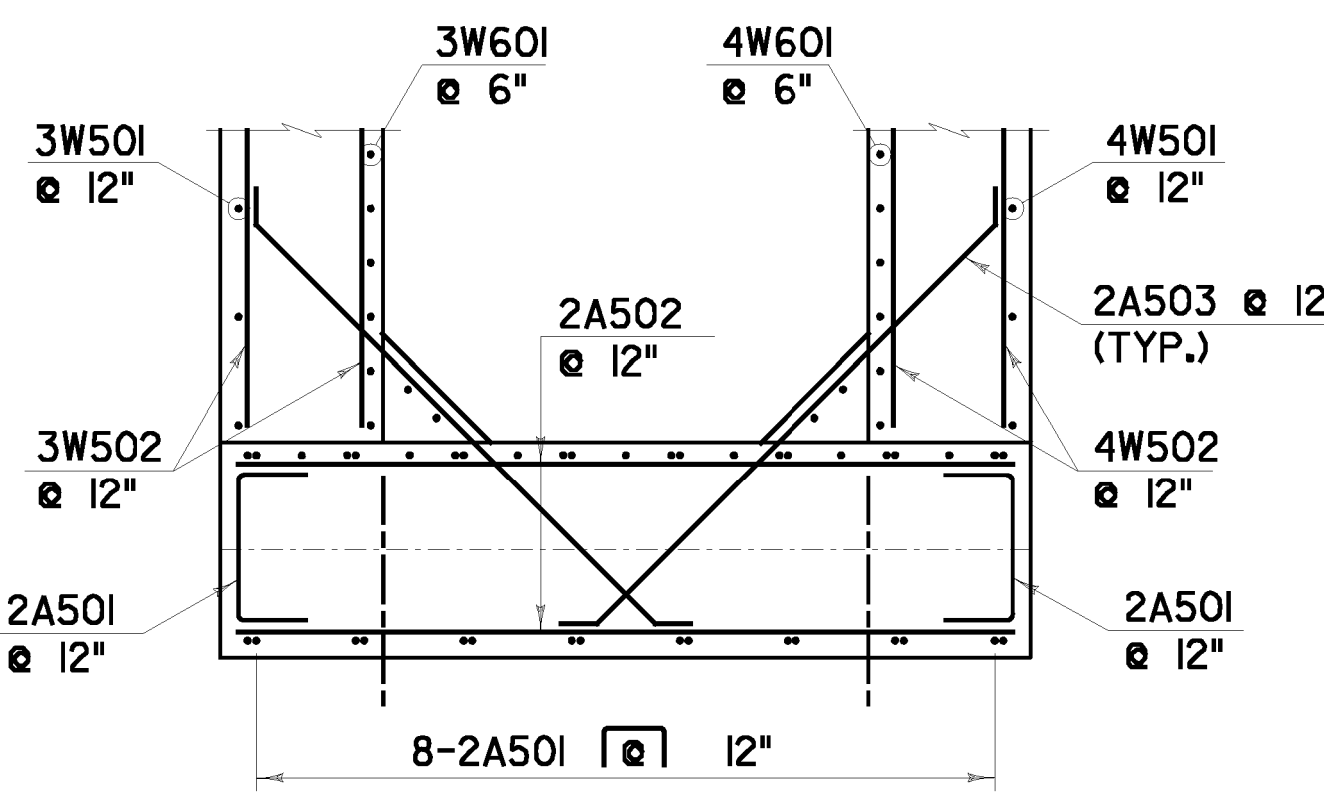
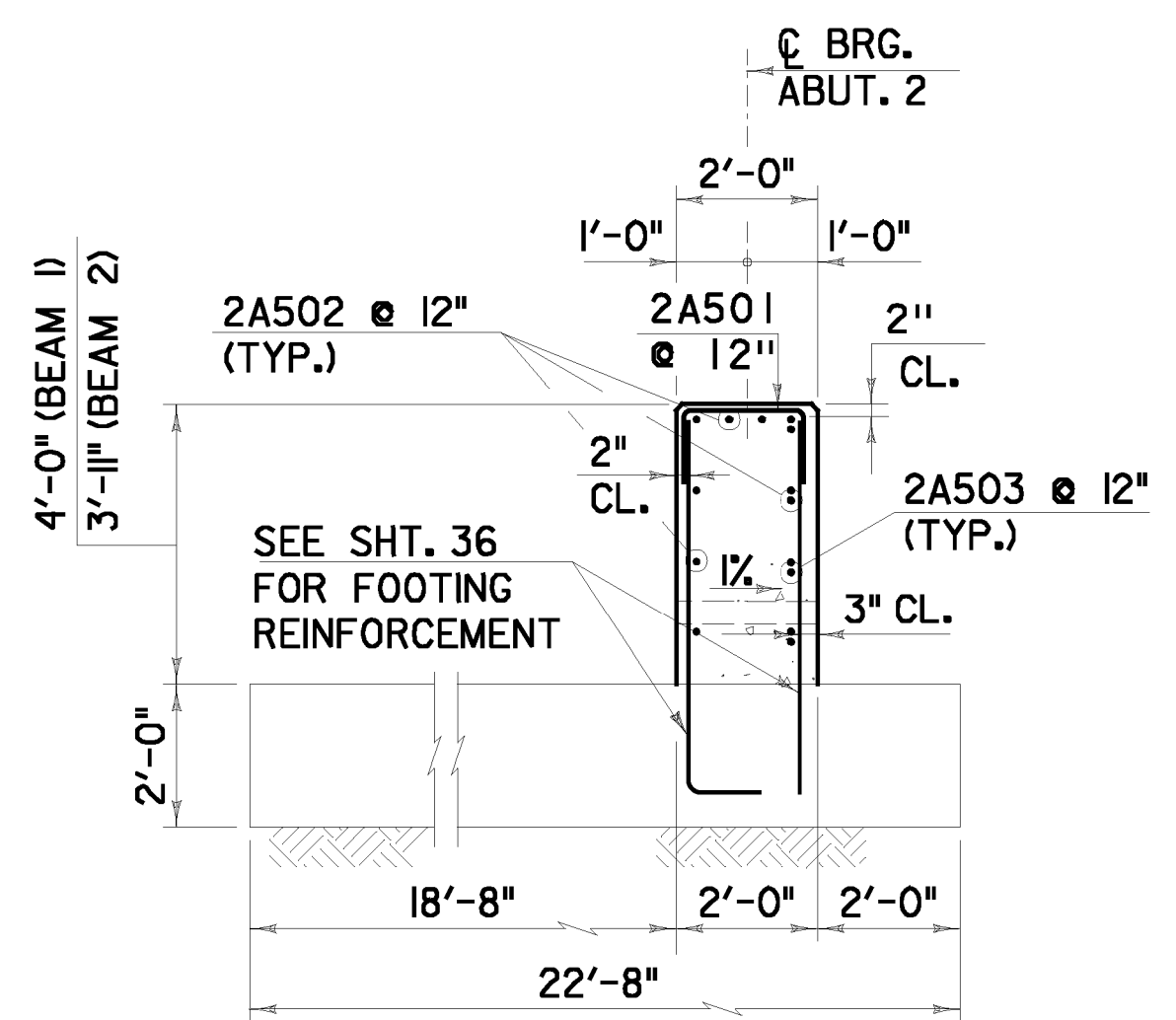


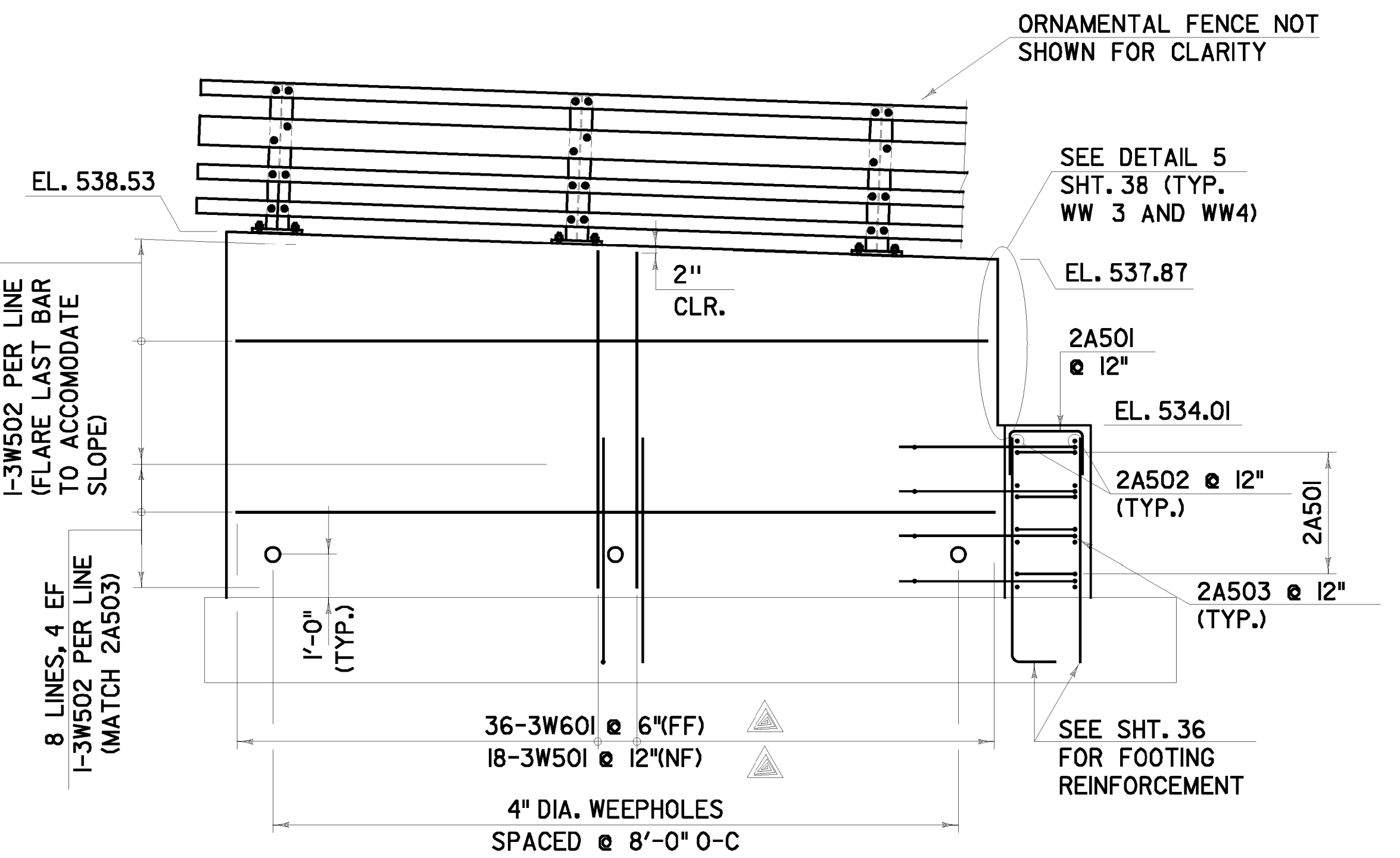
PLAN
SCALE: 3/8" = 1'-0"



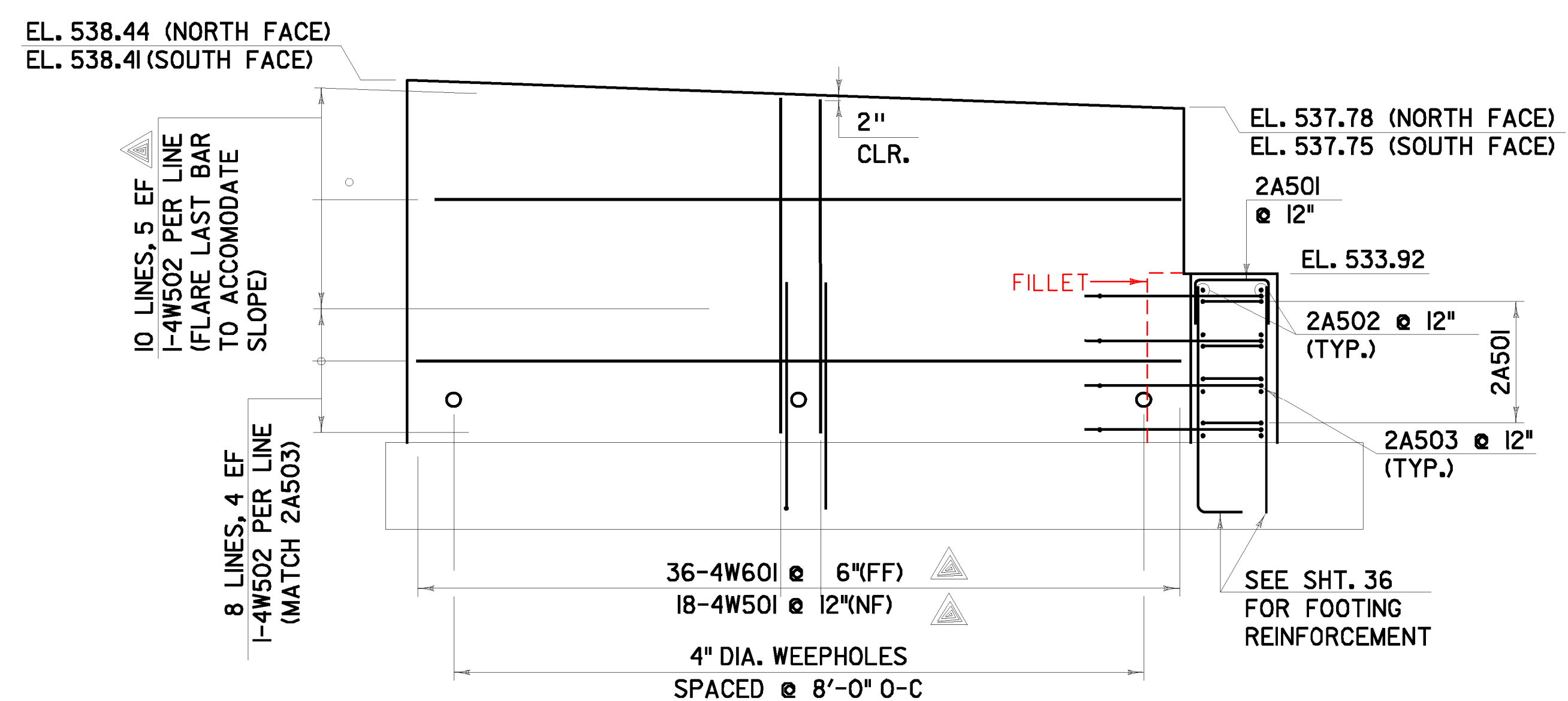
SECTION P-P
SCALE: 1/4" = 1'-0"



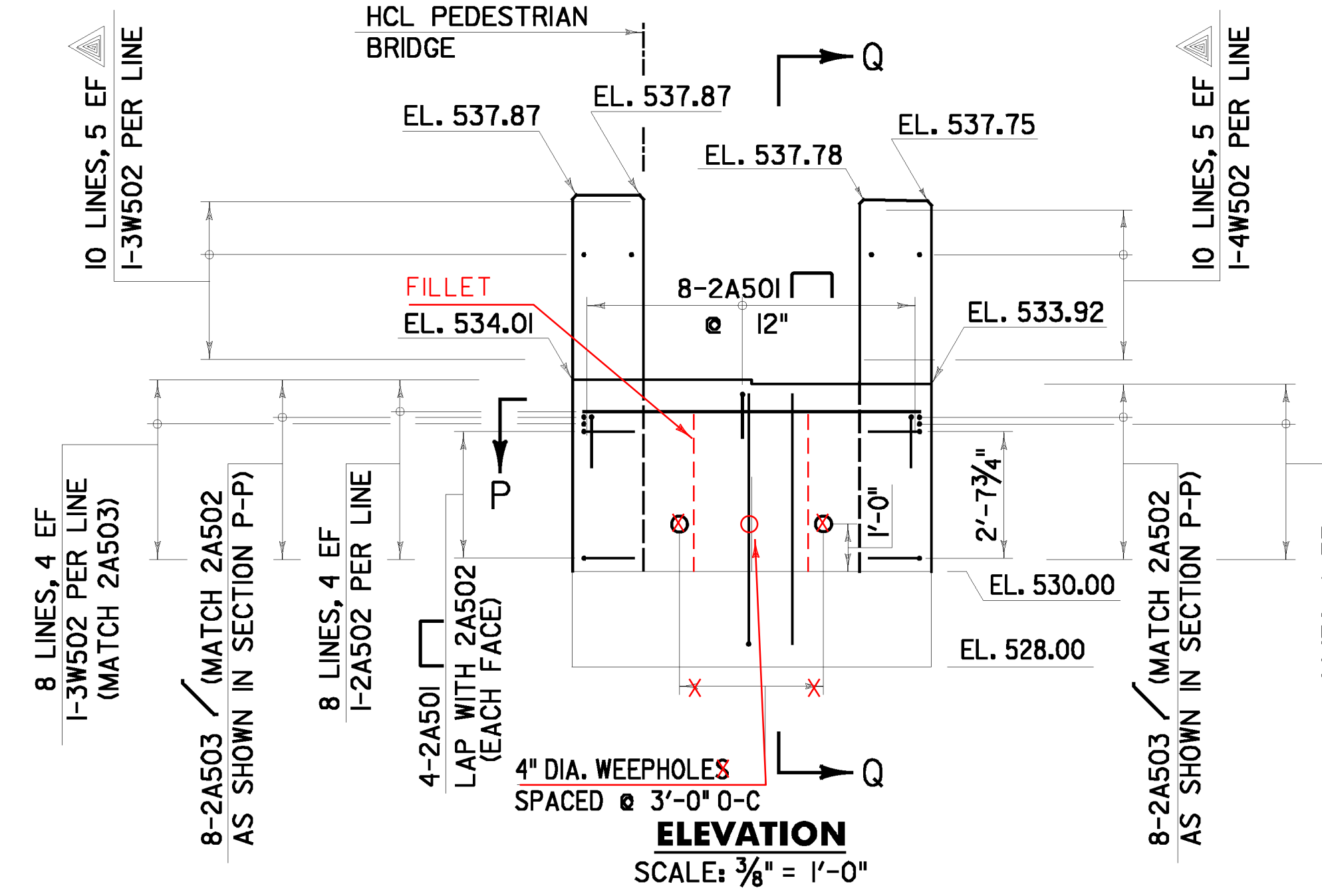
SECTION Q-Q
SCALE: 3/8" = 1'-0"



WINGWALL 3 ELEVATION
(LOOKING SOUTH)
SCALE: 3/8" = 1'-0"



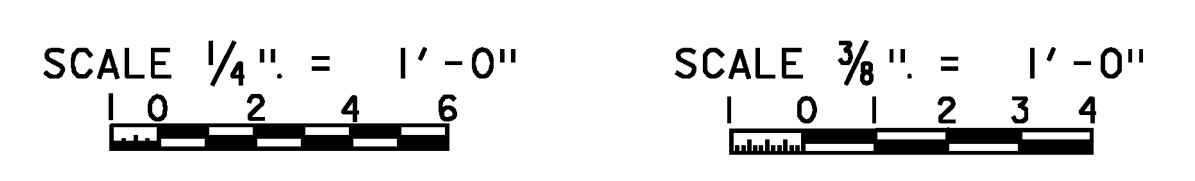
WINGWALL 4 ELEVATION
(LOOKING NORTH)
SCALE: 3/8" = 1'-0"



ELEVATION
SCALE: 3/8" = 1'-0"

NOTE:
ALL REINFORCING STEEL IN THE ABUTMENT AND WINGWALL STEMS SHALL BE PLAIN REINFORCING STEEL AND SHALL BE PAID FOR UNDER ITEM 507.II REINFORCING STEEL, LEVEL I

LEGEND:
NF = NEAR FACE
FF = FAR FACE
EF = EACH FACE
▲ = CUT IN FIELD



**ABUTMENT 2
PLAN AND
DETAILS**

PROJECT NAME: JERICO	PROJECT NUMBER: STP FTBR (3)
PROJECT LEADER: M.D.S.	DESIGNED BY: D.M.D.
PLOT DATE: 4/7/2014	DRAWN BY: D.M.D.
	CHECKED BY: P.M.P.
	SHEET 34 OF 62



FILE NAME = V:\Projects\ANY\K2\21113\CA00\MSTN\05F004\Consultants\20B1\004\abutment2.dgn
DATE/TIME = 4/7/2014
USER = 4916