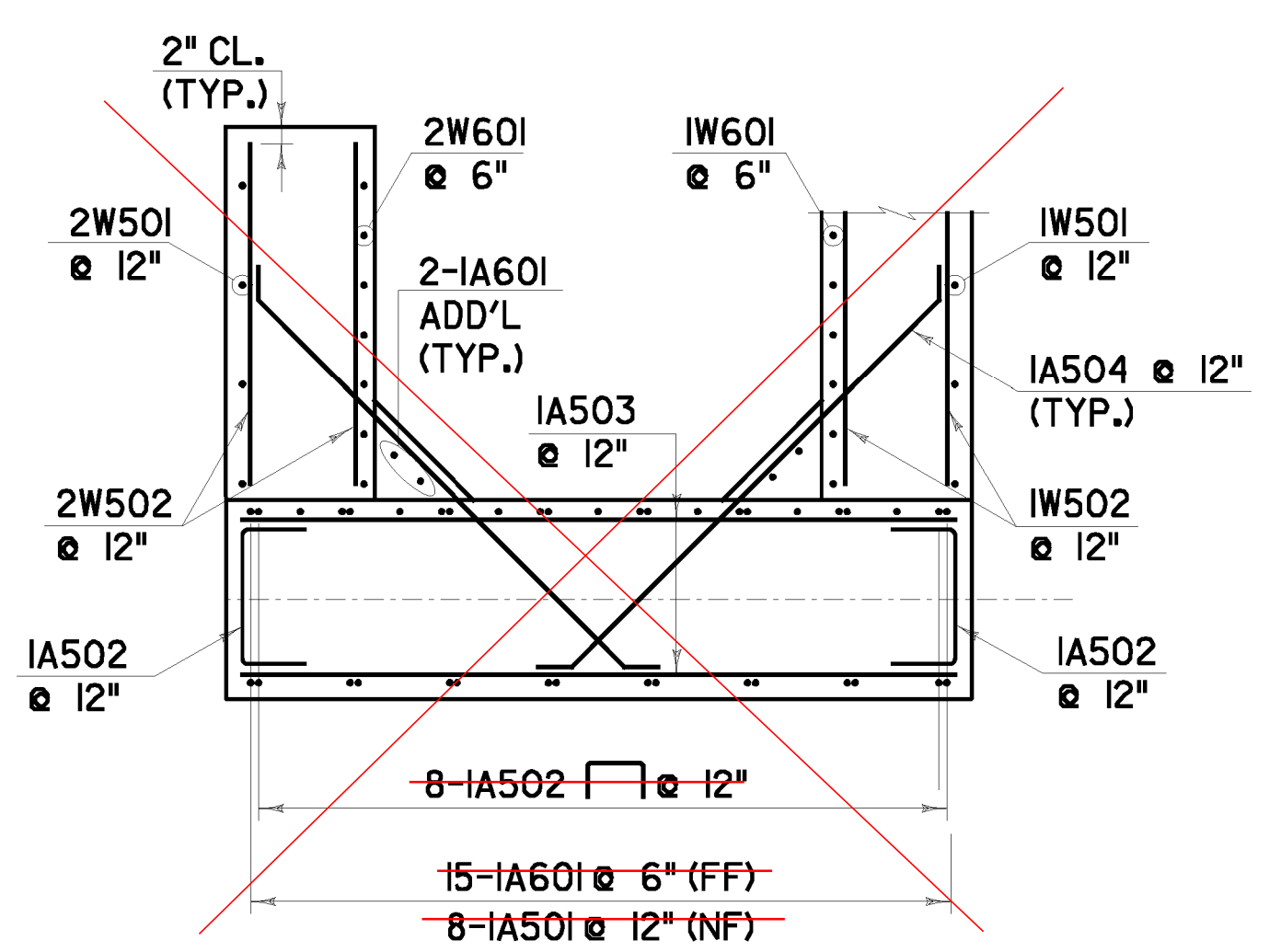
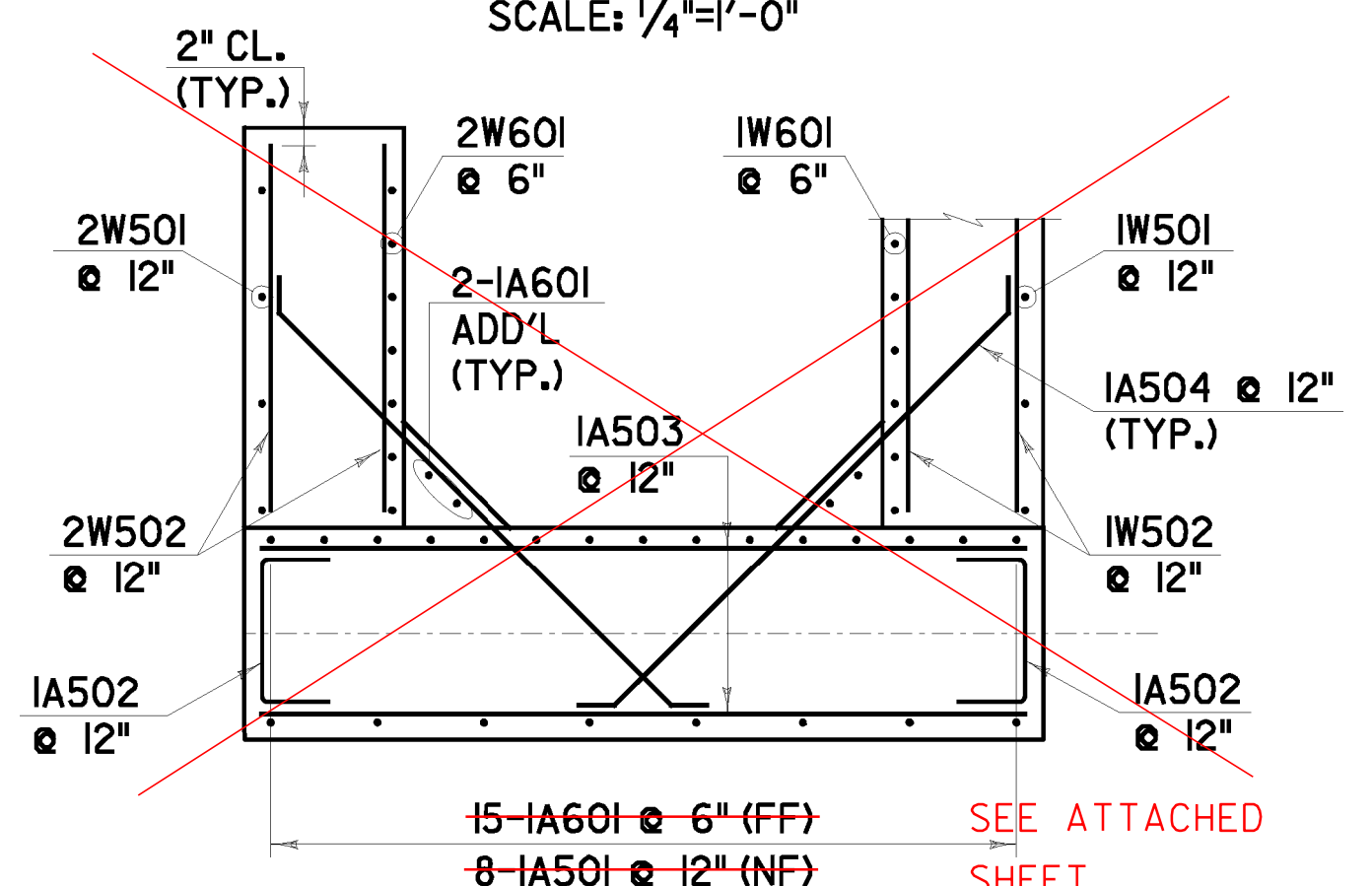


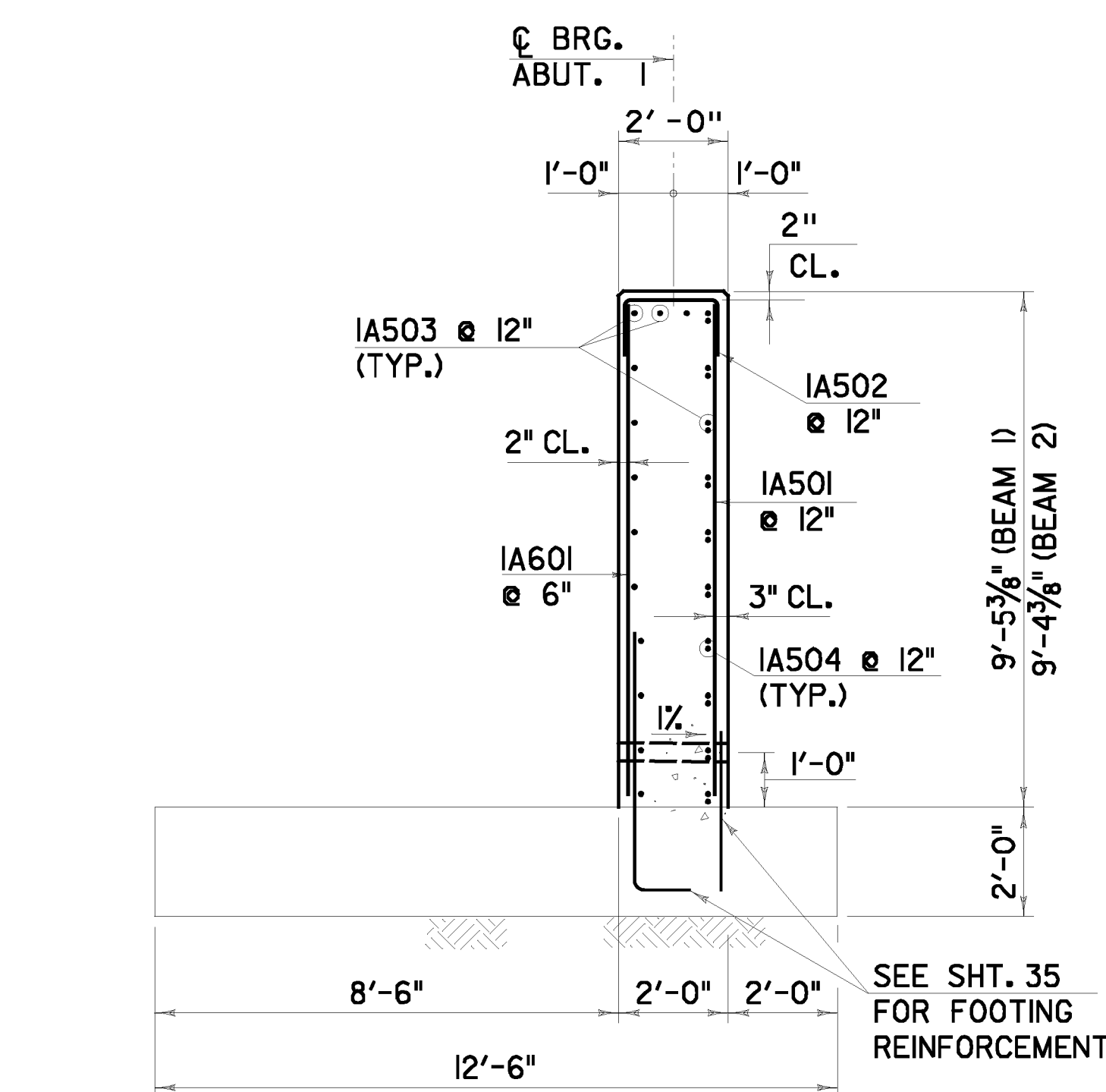
PLAN
SCALE: 3/8" = 1'-0"



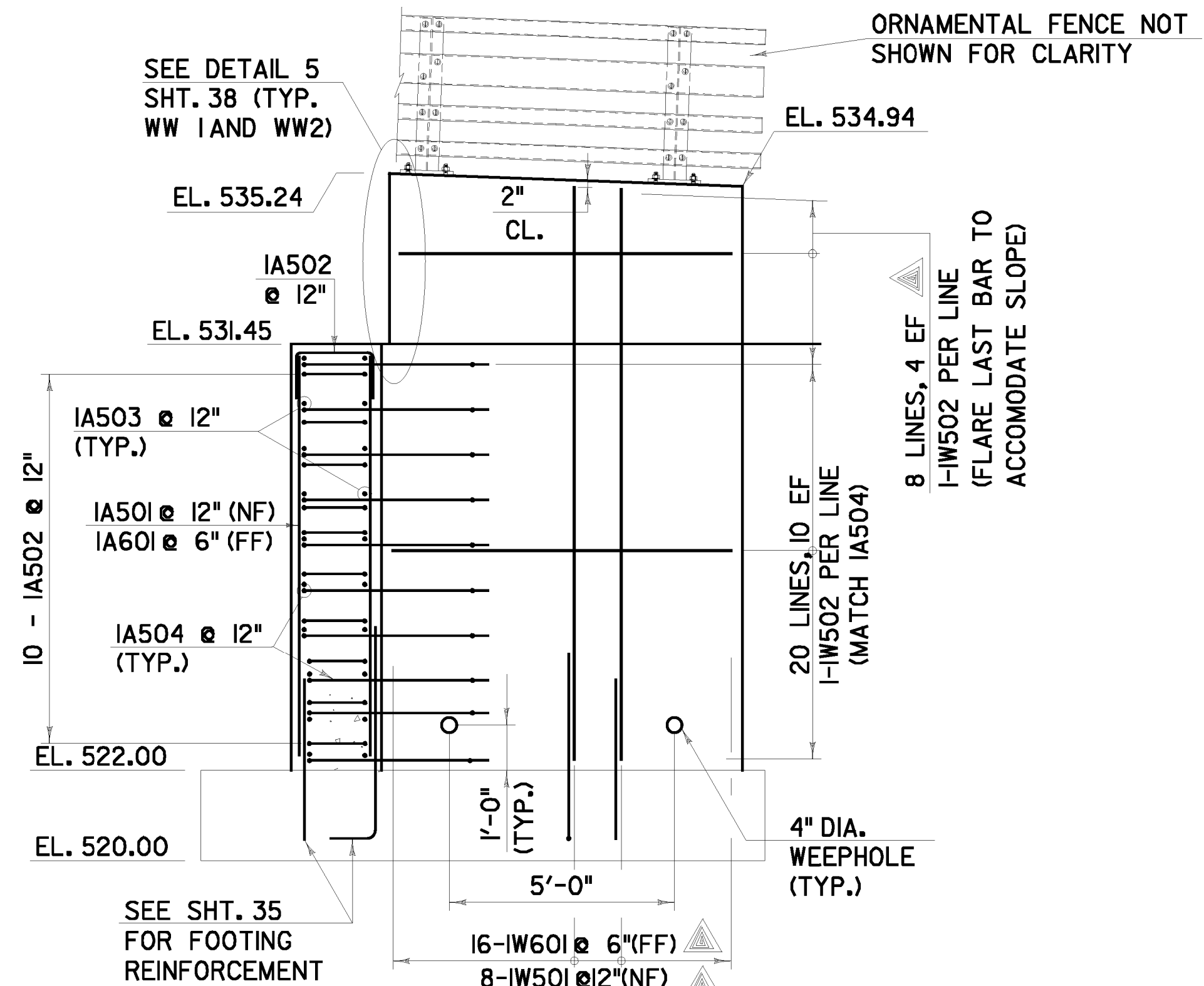
SECTION L-L
SCALE: 1/4" = 1'-0"



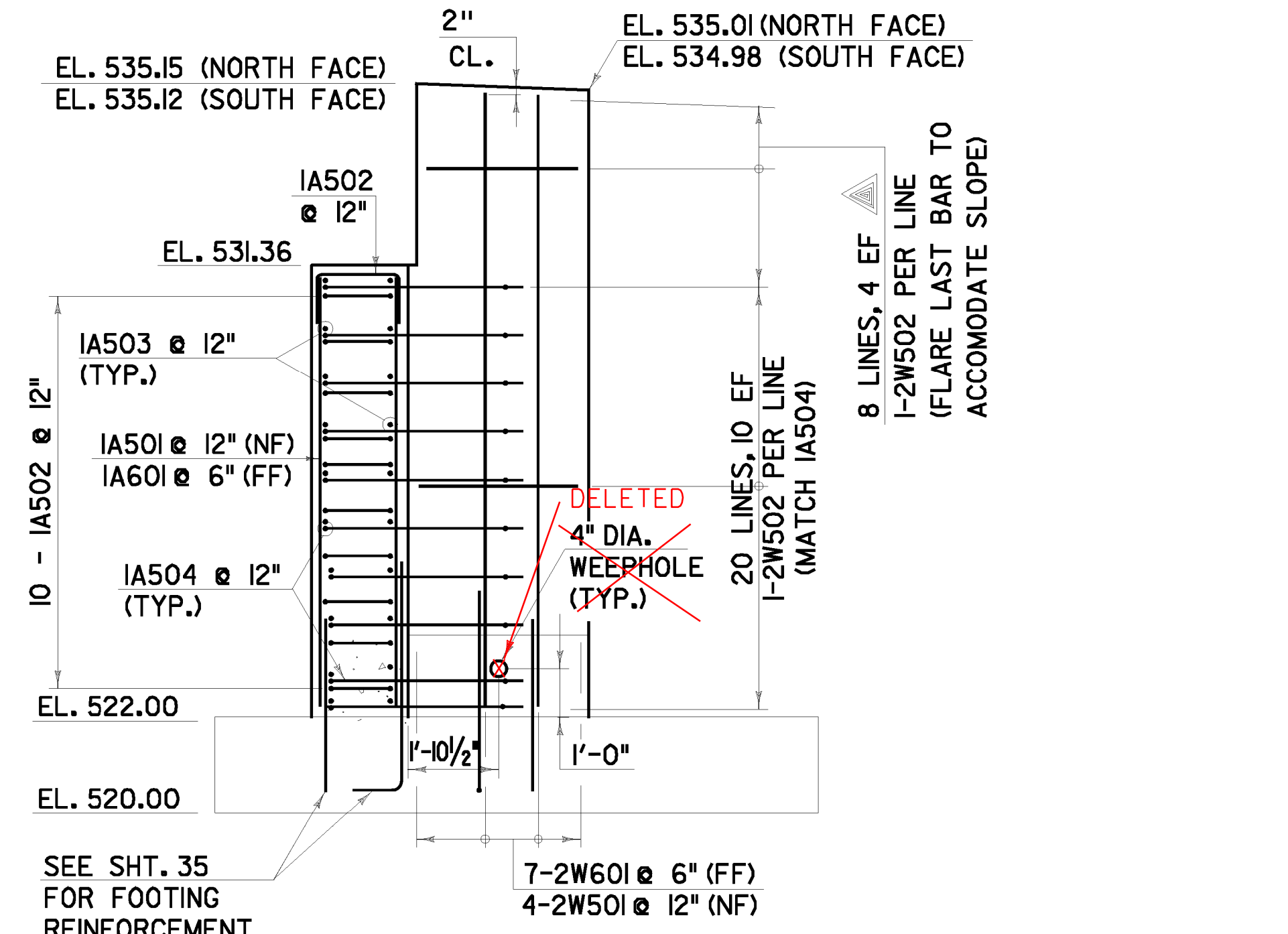
SECTION M-M
SCALE: 1/4" = 1'-0"



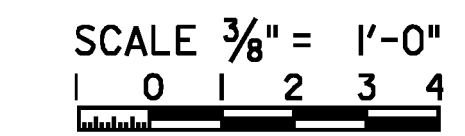
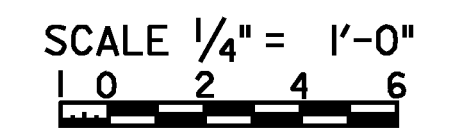
SECTION N-N
SCALE: 3/8" = 1'-0"



WINGWALL 1 ELEVATION
(LOOKING SOUTH)
SCALE: 3/8" = 1'-0"



WINGWALL 2 ELEVATION
(LOOKING NORTH)
SCALE: 3/8" = 1'-0"



LEGEND:
NF = NEAR FACE
FF = FAR FACE
EF = EACH FACE
▲ = CUT IN FIELD

ELEVATION
SCALE: 3/8" = 1'-0"

NOTE:
ALL REINFORCING STEEL IN THE ABUTMENT AND WINGWALL STEMS SHALL BE PLAIN REINFORCING STEEL AND SHALL BE PAID FOR UNDER ITEM 507.11 REINFORCING STEEL, LEVEL 1

ABUTMENT 1 PLAN AND DETAILS

PROJECT NAME: JERICHO	PROJECT NUMBER: STP FTBR (3)
PROJECT LEADER: M.D.S.	DESIGNED BY: D.M.D.
PLOT DATE: 4/7/2014	DRAWN BY: D.M.D.
CHECKED BY: P.M.P.	SHEET 32 OF 62



FILE NAME: V:\Projects\ANY\K2\21113\CA00\MSTN\08F004\Consultants\2081\084supf.mxd.dgn
DATE/TIME: 4/7/2014
USER: 4916