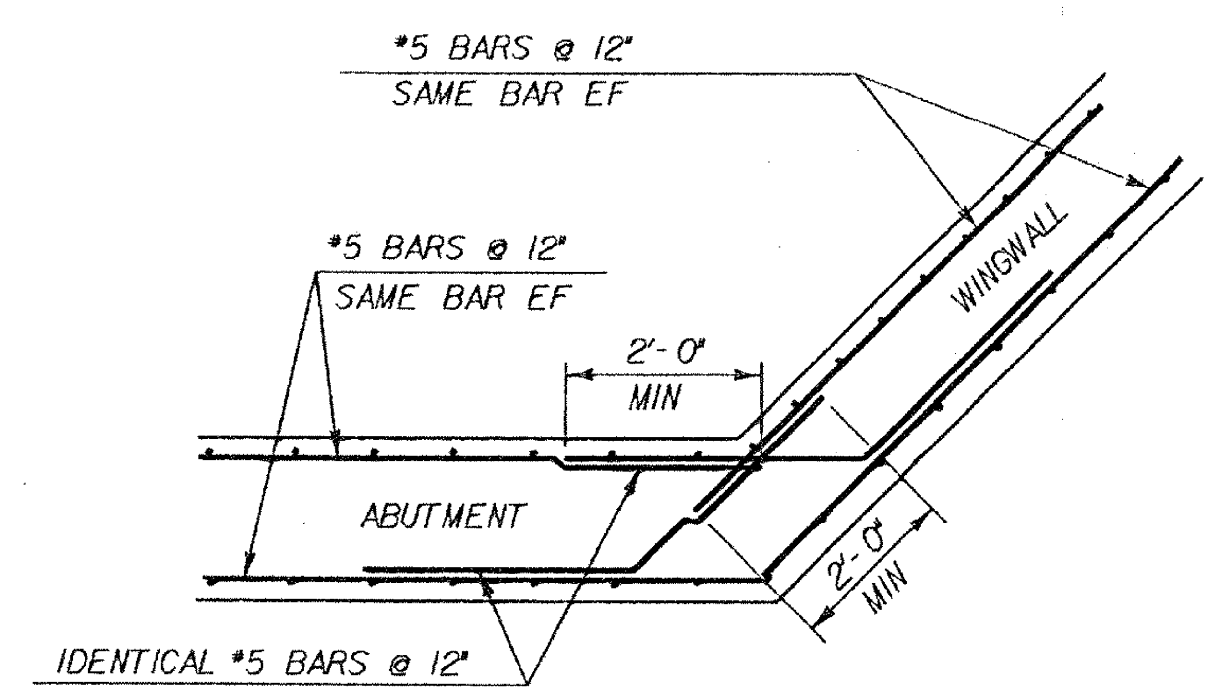
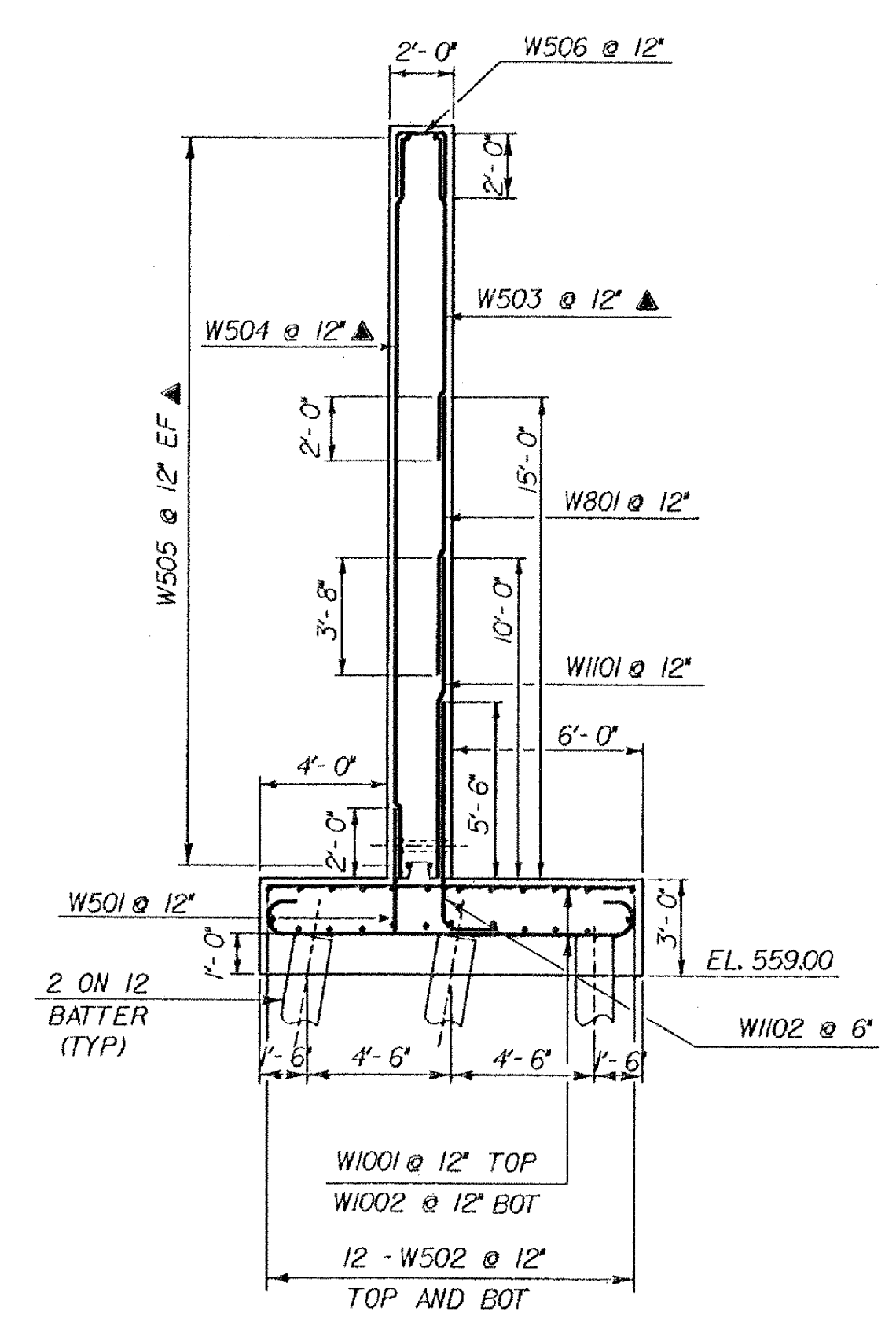


WING WALL NO. 2 ELEVATION SCALE: 1/4" = 1'-0"



TYPICAL CORNER DETAIL BELOW BRIDGE SEAT
NOT TO SCALE

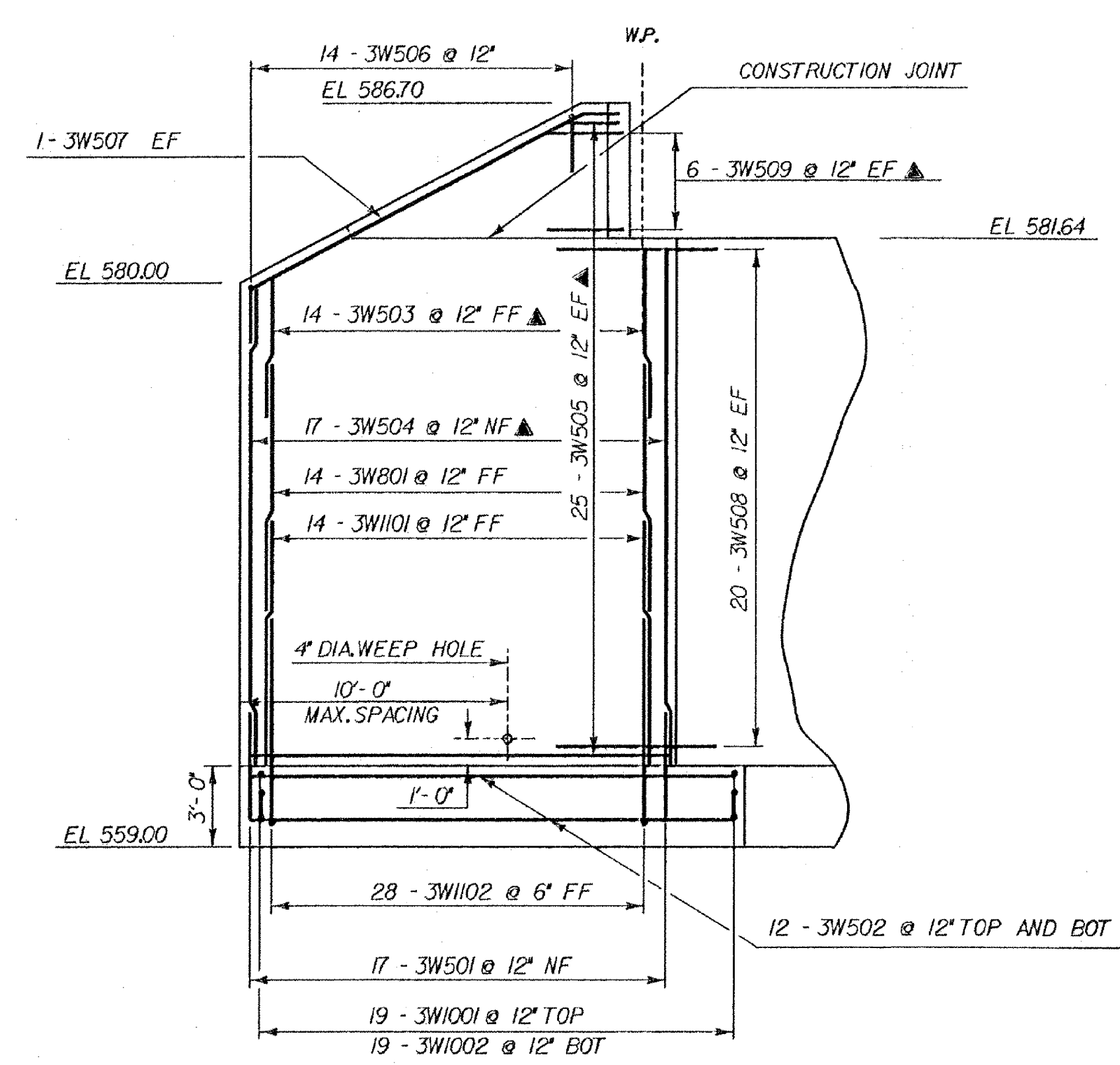
NOTE:
ALL HORIZONTAL STEEL IN WINGWALL #1 WILL NOT PASS THROUGH THE EXPANSION JOINT.



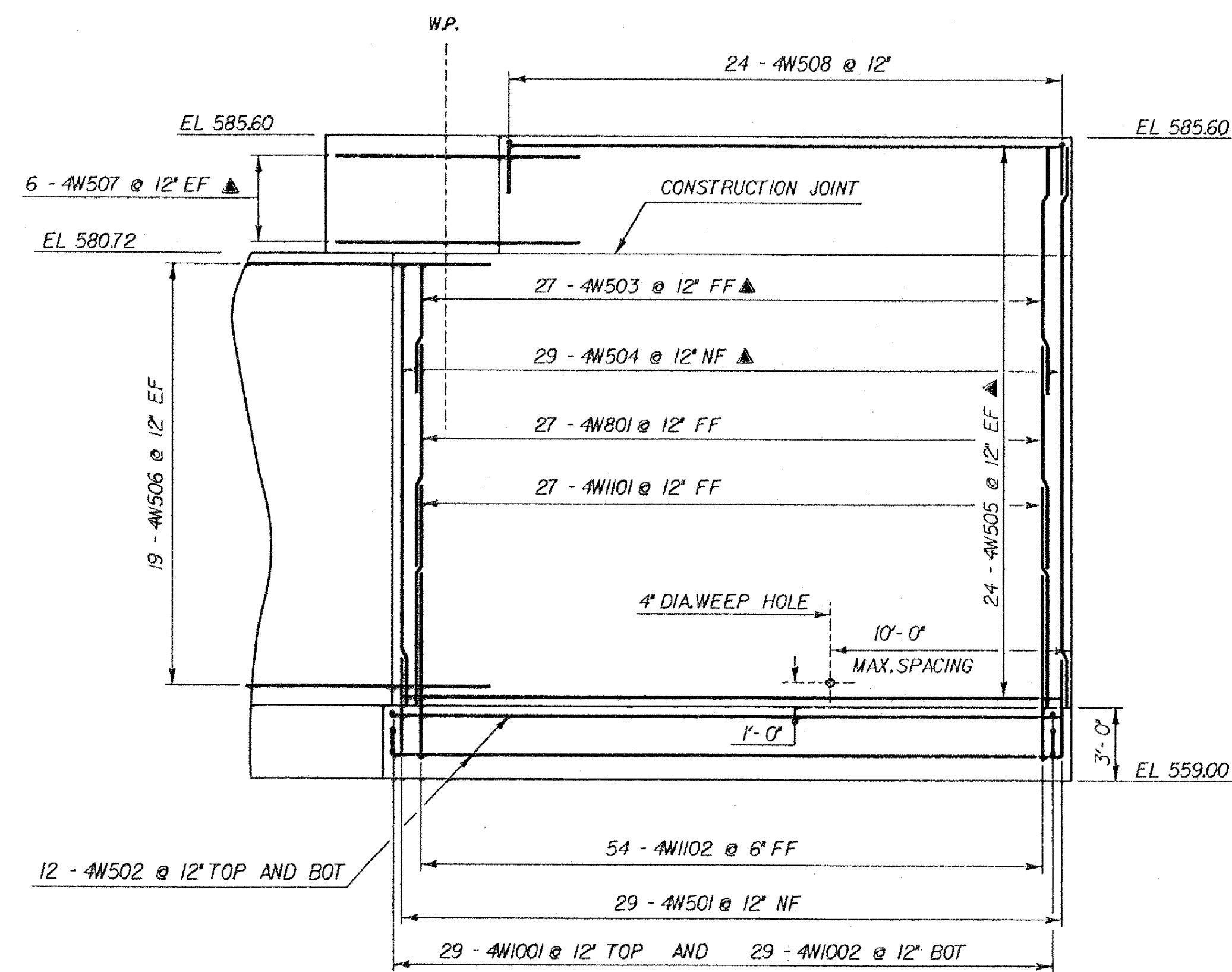
WINGWALL #3 AND #4 TYPICAL
SCALE: 1/4" = 1'-0"

SEE SHEET BR118 FOR WINGWALL TYPICAL
ALL LAP SPLICES NOT DETAILED SHALL BE 2'-0" MIN.

For Reference Only
Waterbury-Moretown
BHF MEMB (12)
Sheet 24 of 28



WING WALL NO. 3 ELEVATION



WING WALL NO. 4 ELEVATION

SCALE: 1/4" = 1'-0"

STATE OF VERMONT AGENCY OF TRANSPORTATION	
Town Of MORETOWN	Bridge No. 4
Highway No. VT 100B	Log Sta. 86 + 53
VT 100B OVER MAD RIVER	
WINGWALL #2, #3 AND #4 DETAILS	
Designed By C.P. WILLIAMS	Drawn By T.A. SUMNER
Checked By C.P. WILLIAMS	Bridge Design Supervisor
Date 4/92	Field Date 5/92
PROJECT MORETOWN	PROJECT NO. BRZ-1446 (1)
I.G.C. Info. ZH24343078FT4ABT.DGN	78FT-ANWJPARM
Bridge Sheet No. BR119	Sheet 52 of 82